




IP 20

12V

GU 5,3
GX 5,3 

Type	Light source	Light source power / lamp base	Weight
DLP 93	cold beam reflector halogen lamp	20-50W/GX 5.3 (GU 5.3)	0,17 kg

Approvals

according to the rules of relevant classification societies, additional IEC

Housing

die - cast gold plated, chrome plated, white painted, other colours on request

Lamps (not included)

cold beam reflector halogen lamp
20 - 50W

Electric

12V, flexible wiring, heat resistant up to + 250°C

Connections

plug and socket /Wieland GST/

Mounting

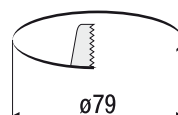
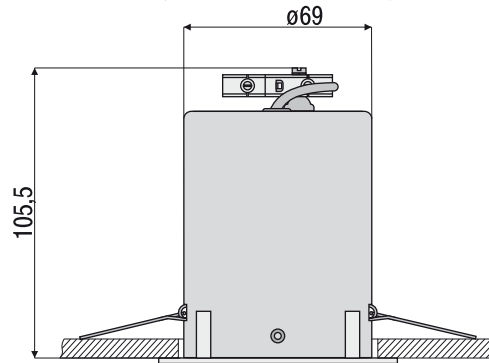
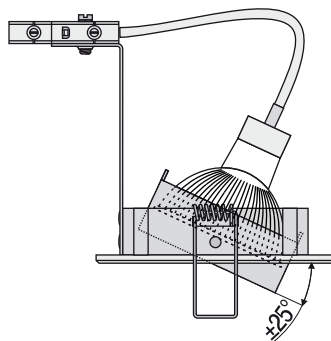
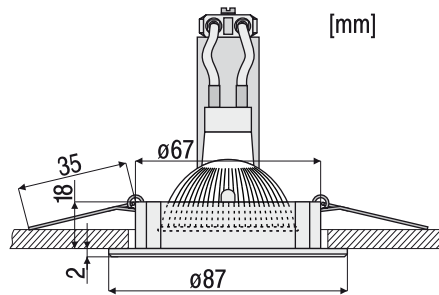
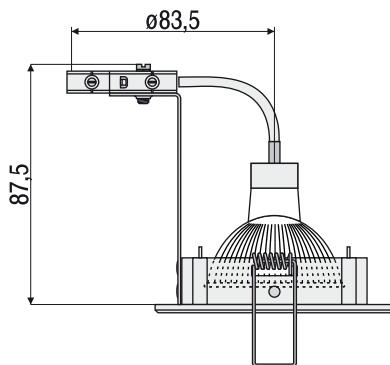
with 2 fixing clips

Electrical connection

see finish section

Remark

electronic transformer ET - has to be ordered separately



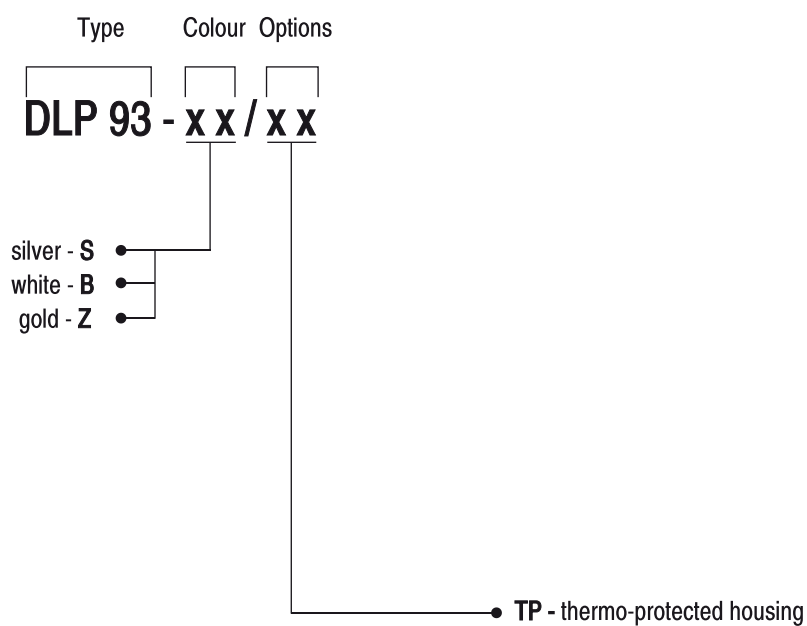
6.11

OPTIONS

Electronic Transformer 220V-240V 50Hz-60Hz

Thermo - protected Housing

Order Specification



Example of type description

DLP 93 - Z light fitting for cold beam reflector halogen lamp max 50W with socket GX5.3; colour - golr

6.12