


IP 20

12V

GU 5,3
GX 5,3 



Type	Light source	Light source power / lamp base	Weight
DLP 92	cold beam reflector halogen lamp	20-50W/GX 5.3 (GU 5.3)	0,17 kg

Approvals
according to the rules of relevant classification societies, additional IEC

Housing
die - cast gold plated, chrome plated, white painted, other colours on request

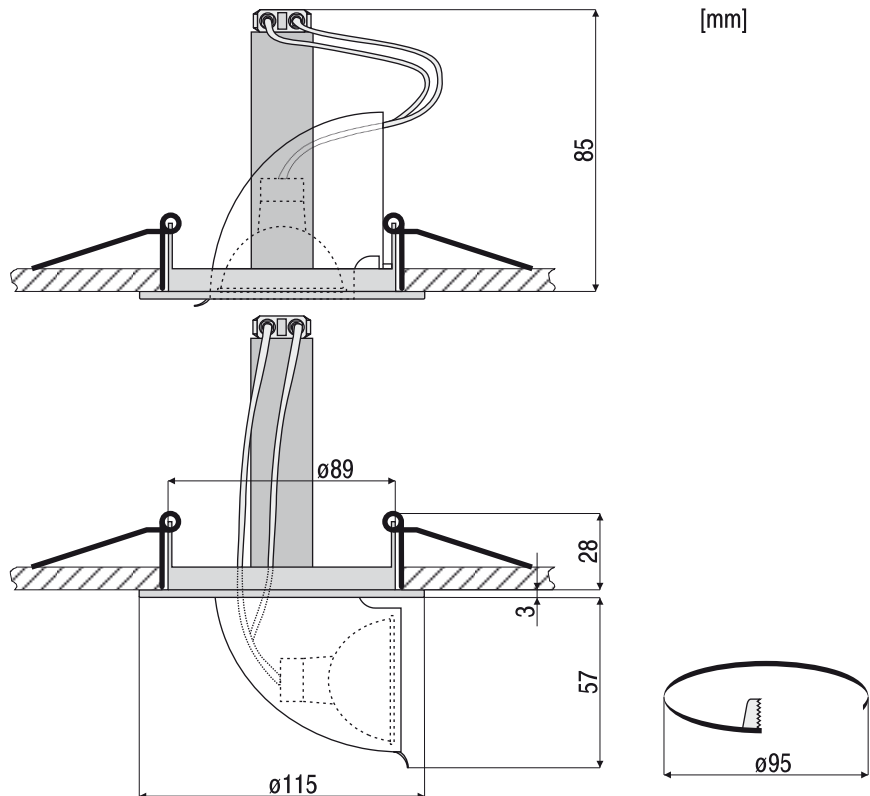
Lamps (not included)
cold beam reflector halogen lamp
20 - 50W
Electric
12V, flexible wiring, heat resistant up to + 250°C

Connections
plug and socket /Wieland GST/
Mounting
with 2 fixing clips
Electrical connection
see finish section
Remark
electronic transformer ET - has to be ordered separately

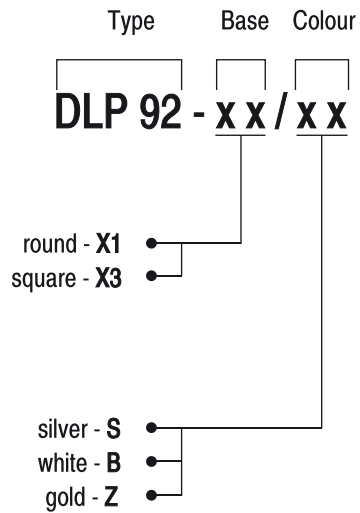
6.08

OPTIONS

Electronic Transformer	220V-240V 50Hz-60Hz
------------------------	------------------------



Order Specification

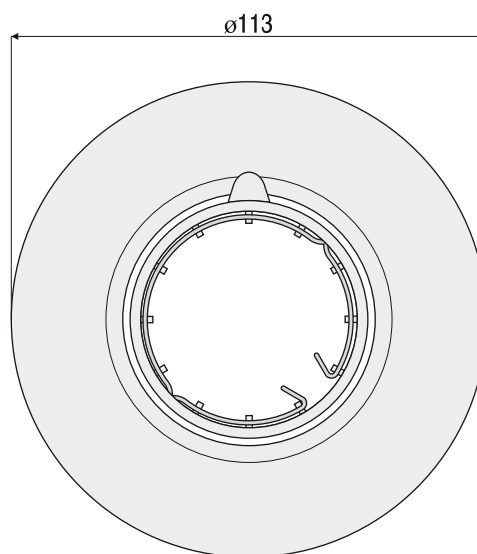


Example of type description

DLP 92 - X1/B light fitting for cold beam reflector halogen lamp max 50W with socket GX5.3; base fitting - round; colour - white

6.09

round - X1



6.10

square - X3

