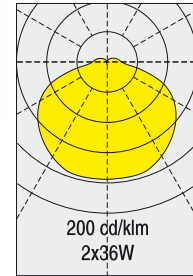
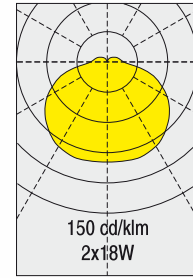


IP 30

230V
50Hz

G13

Type	Light source	Light source power / lamp base	Weight
DAP 16 - 2180	fluorescent lamp	2 x 18 W / G 13	3,3 kg
DAP 16 - 2360		2 x 36 W / G 13	6,3 kg

Application
passage ways, cabins, lounges, dining rooms, accomodation areas

Approvals
according to the rules of relevant classification societies, additional IEC

Housing
zinc coated steel, powder coated white

Diffuser
polycarbonate, opal
Lamps (not included)
fluorescent lamp 18W/36W
Electric
flexible wiring
heat resistant up to +105°C

Cable entry
4 inlets, cable ø max 11 mm or cable glands PG 13,5 for IP 44

Mounting
4 mounting holes ø 5,5 mm
Electrical connection
see finish section

4.01

OPTIONS

220V
60Hz

230V
60Hz

120V
60Hz

240V
50Hz

24V DC



Electronic Ballast

220V-240V
50Hz-60Hz

220V-240V
DC

Dimmable Electronic Ballast

220V-240V
50Hz-60Hz

Battery Backup System

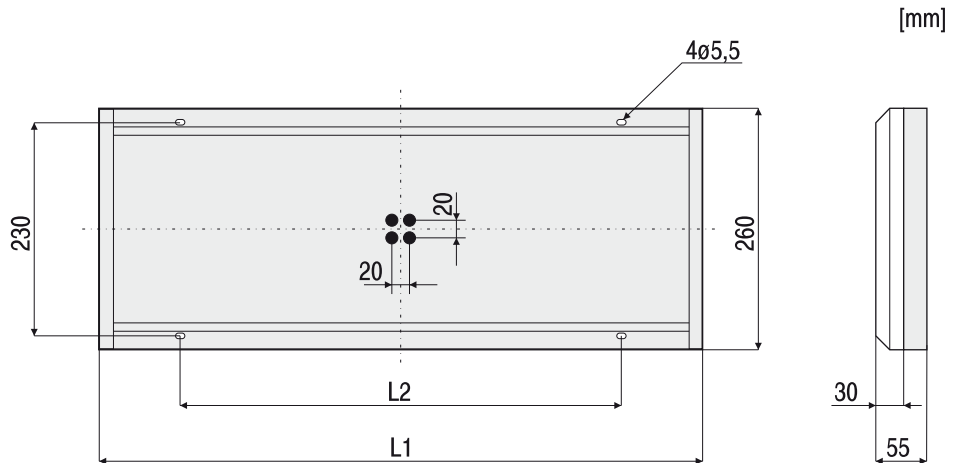
220V-240V
50Hz-60Hz

1h or 3h

Emergency Lampholder B15d

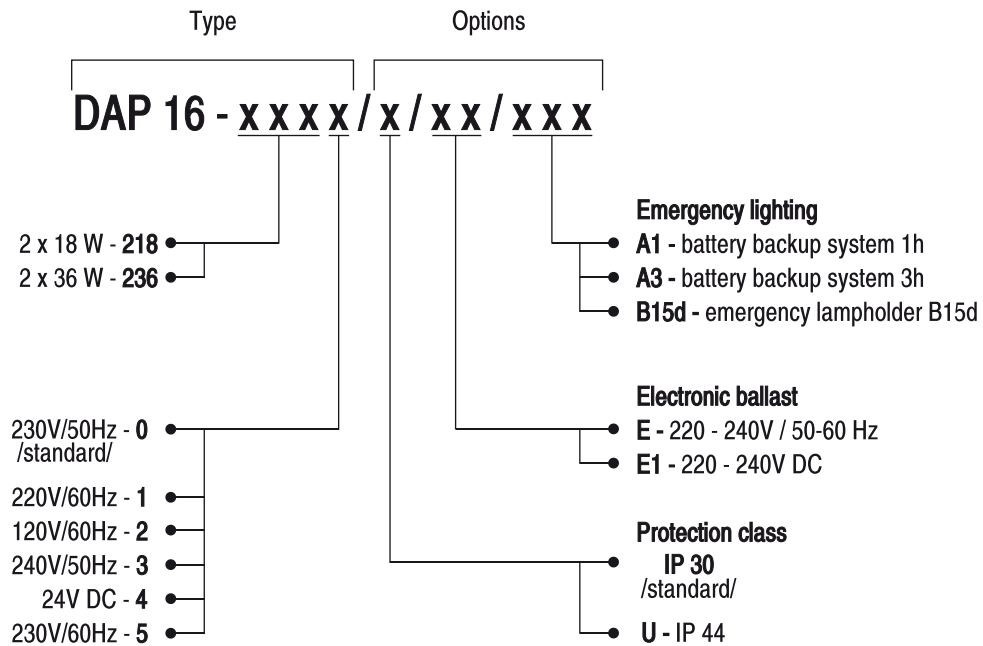


IP 44



Type	L1	L2
DAP 16/2x18W	650	475
DAP 16/2x36W	1265	967

Order Specification



Example of type description

DAP 16 - 2180/U light fitting for two fluorescent lamp 18W with socket G13; supply voltage 230V/50Hz; protection class - IP 44

4.02

Spare parts for ceiling luminaire DAP 16 - 2180

No.	Spare parts	Part-no.
1	Diffuser PC, opal	101 00 86218
2	Lampholder G 13 /4 pcs./	014 00 86218
3	Ballast /2 pcs./	032 00 86218
4	Capacitor	021 00 86218

Spare parts for ceiling luminaire DAP 16 - 2360

No.	Spare parts	Part-no.
1	Diffuser PC, opal	101 00 86236
2	Lampholder G 13 /4 pcs./	014 00 86236
3	Ballast /2 pcs./	032 00 86236
4	Capacitor	021 00 86236