

# TZP 44 MLED



Type	Wattage	Light source	Lumens	Weight
TZP 44-MLED220/211/...	2 x 11 W	LED	2 x 1250 lm	3,9 kg
TZP 44-MLED240/411/...	4 x 11 W		4 x 1250 lm	4,2 kg

## Coldroom Luminare, surface, 2x11W/4x11W LED

### Application

coldroom, refrigerated areas, freezing rooms

### Approvals

according to the rules of relevant classification societies, additional IEC

### Housing

zinc coated steel or stainless steel, powder coated white

### Diffuser

polycarbonate, clear

### Electric

flexible wiring, heat resistant up to +105°C

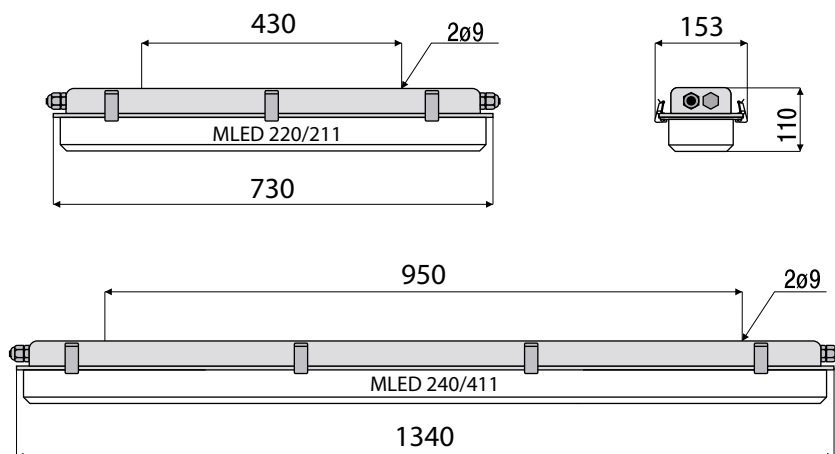
### Cable entry

max 4 cable glands, see drawing A

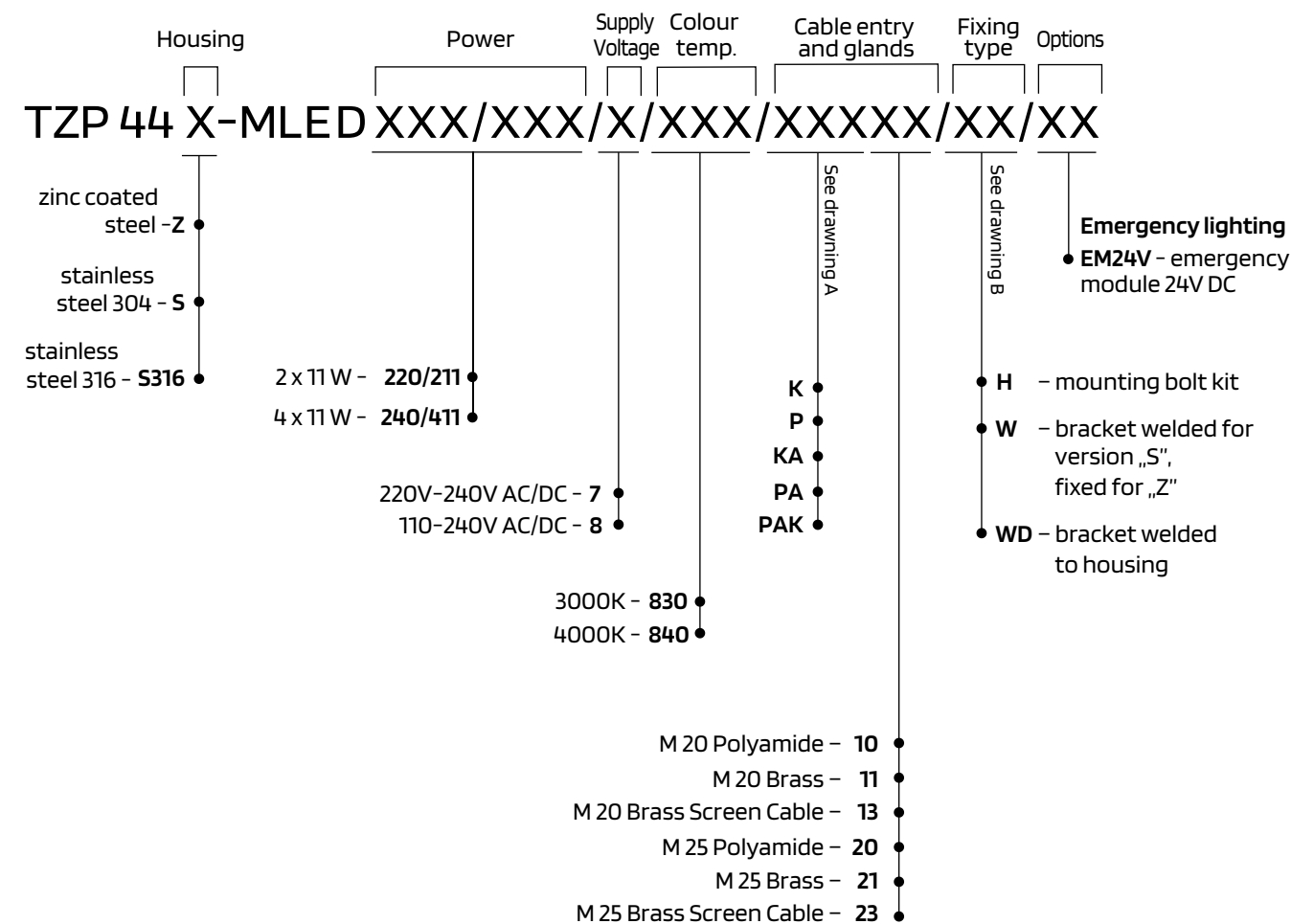
### Mounting

See drawing B

### DIMENSIONS [ mm ]



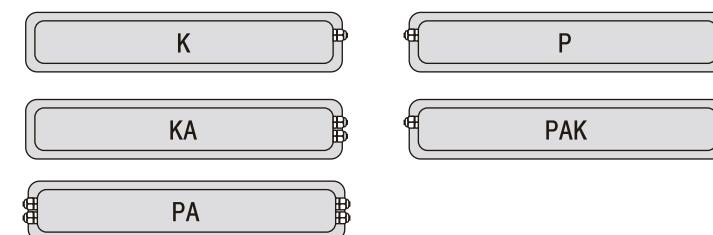
## ORDER SPECIFICATION



### Example of type description

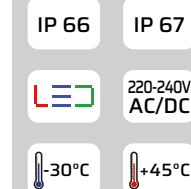
**TZP 44S-MLED 220/211/7/830/P1 1/W** - stainless steel 304 light fitting with LED panels (2x11W), power supply 220-240V AC/DC; light color temp.: 3000K; through wiring ( 2 brass glands M20); fixing - two „w“ brackets

### A. Cable entry

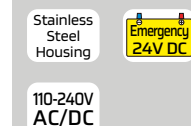


	M 20			M 25		
	Polyamide	Brass	Brass SC	Polyamide	Brass	Brass SC
Cable dia.	6-12 /mm/	8-14,5 /mm/	7-12,5 /mm/	11-17 /mm/	9-17 /mm/	9-17 /mm/
	10	11	13	20	21	23

### TECHNICAL DATA



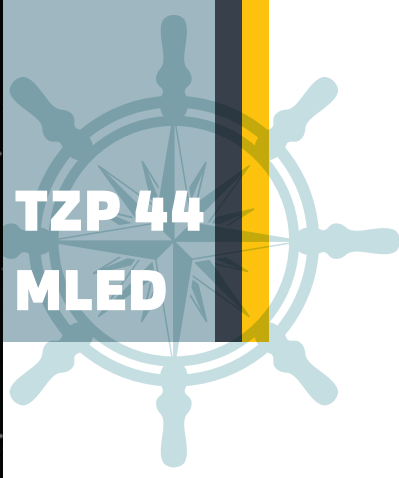
### OPTIONS



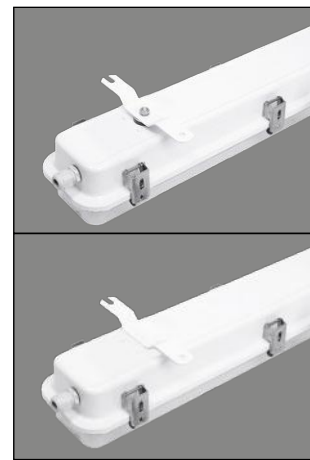
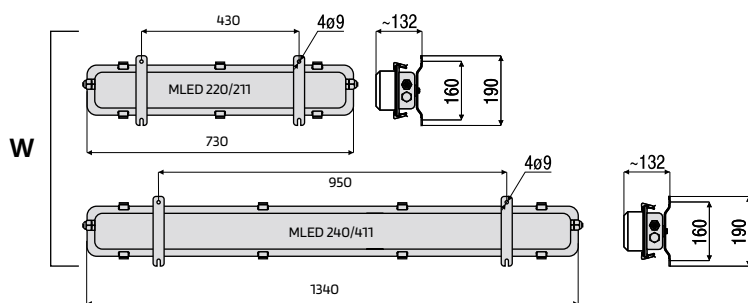
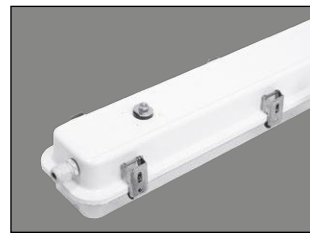
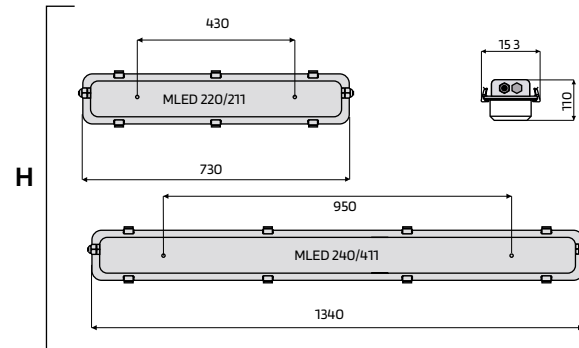
110-240V AC/DC



**TZP 44**  
**MLED**



**B. Fixing type**



welded for „S“ version  
fixed for „Z“ version

