

DEP 95 MLED



Type	Wattage	Light Source	Lumens	Weight
DEP 95-MLED220/211/...	2 x 11 W	LED	2 x 1250 lm	4,9 kg
DEP 95-MLED240/411/...	4 x 11 W	LED	4 x 1250 lm	5,2 kg

Ceiling Luminaire, recessed, 2x11W / 4x11W LED

Application

for installation in Dampa ceilings M300 passage ways, cabins, lounges, dining rooms, accomodation areas

Diffuser

opal or prismatic

Approvals

according to the rules of relevant classification societies, additional IEC

Cable entry

2 or 4 cable inlets cable Ø max 11 mm

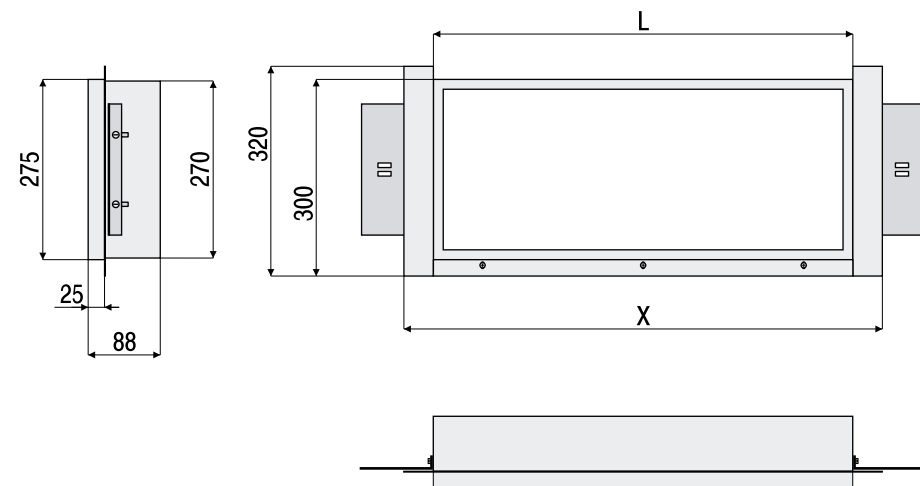
Housing

zinc coated steel, powder painted white

Mounting

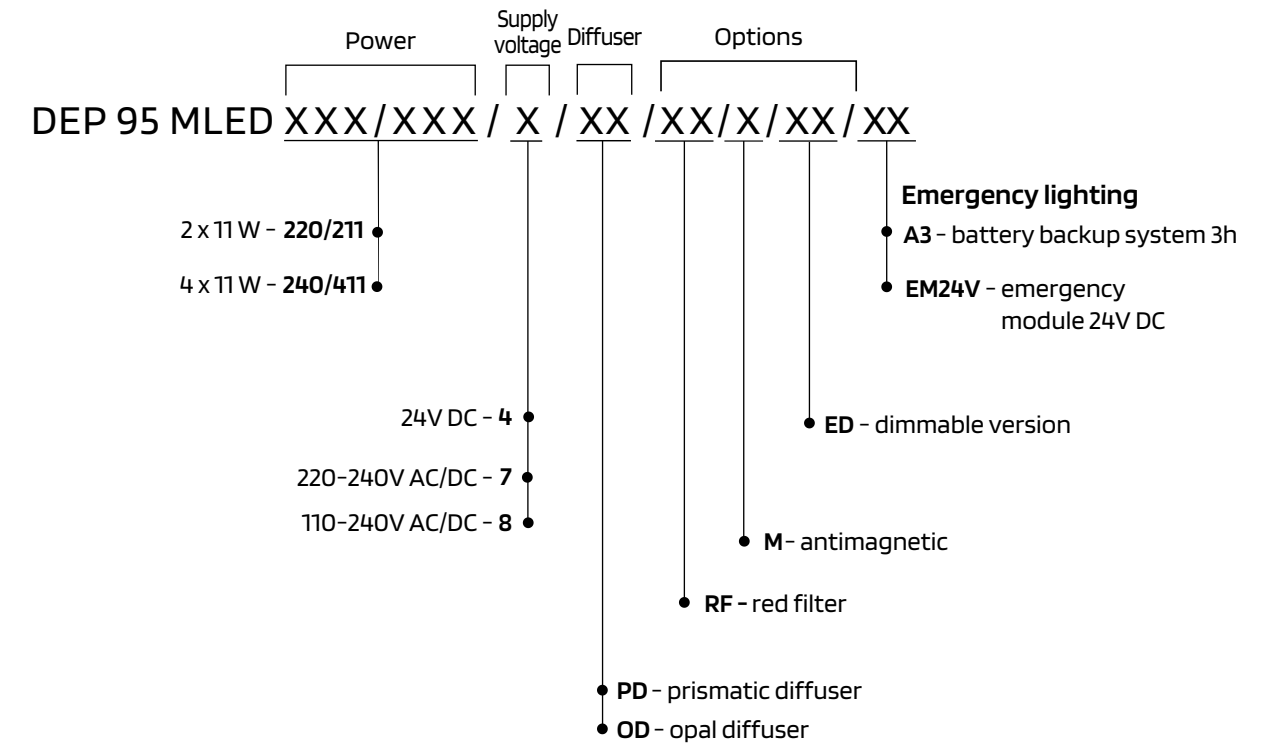
2 mounting brackets

DIMENSIONS [mm]



Type	L	X
DEP 95-MLED220/211/...	640	730
DEP 95-MLED240/411/...	1250	1340

ORDER SPECIFICATION



Example of type description

DEP 95-MLED 220/211/7/PD - light fitting with LED source 2x11W, supply voltage 220-240V AC/DC, prismatic diffuser

TECHNICAL DATA

IP 44 220-240V AC/DC



OPTIONS

Battery Backup 3h System Dimmable version

110-240V AC/DC 24V DC

Emergency 24V DC Red Filter

Optional diffusers:

