

DEP 28 MLED



Type	Wattage	Light Source	Lumens	Weight
DEP 28-MLED-220/211/...	2 x 11 W	LED	2 x 1250 lm	4,9 kg
DEP 28-MLED-240/411/...	4 x 11 W	LED	4 x 1250 lm	5,2 kg

Ceiling Luminaire, recessed, 2x11W / 4x11W LED

Application

accommodation areas, passage ways, cabins, etc.

Approvals

according to the rules of relevant classification societies, additional IEC

Housing

zinc coated steel, powder painted white

Diffuser

prismatic or opal diffuser

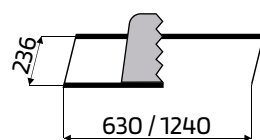
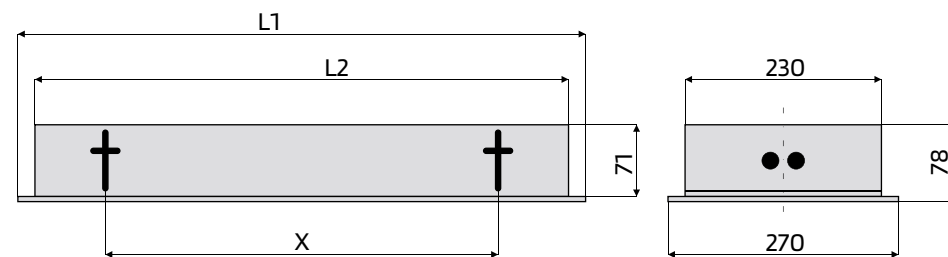
Cable entry

2 cable entries \varnothing 20 mm

Mounting

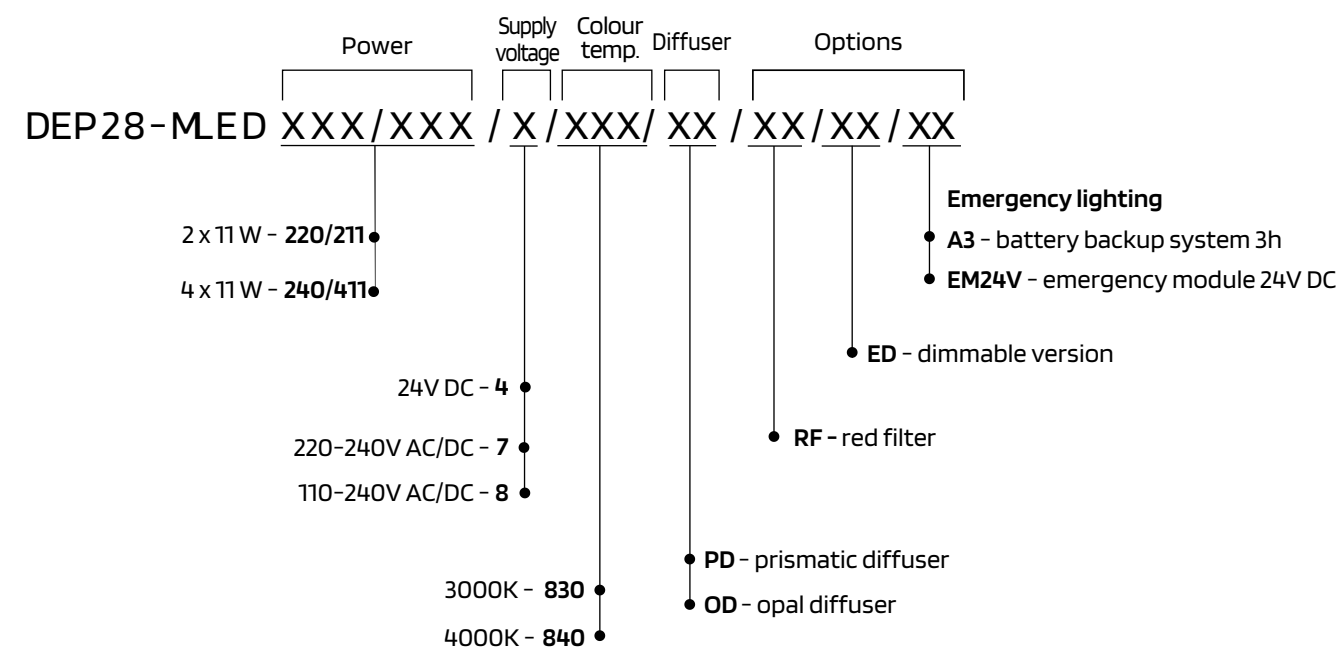
4 mounting brackets, cut out:
2 x 11 W: 630x236 mm
4 x 11 W: 1240x236 mm

DIMENSIONS [mm]



Type	L1	L2	X
DEP 28/2x11W	663	625	460
DEP 28/4x11W	1273	1235	1070

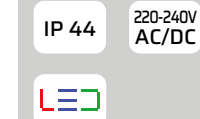
ORDER SPECIFICATION



Example of type description

DEP 28-MLED 220/211/7/PD - light fitting with LED source 2x11W, supply voltage 220-240V AC/DC, prismatic diffuser

TECHNICAL DATA



OPTIONS



Optional diffusers:

