

INDUSTRIAL LUMINAIRES

TLP44 LED



APPLICATION

Dustproof and waterproof luminaire for the single sided LED tubes with G13 lamp base. The luminaire is designed for the industrial areas and facilities also outdoor spaces. For areas fully exposed to the weather conditions use dedicated stainless steel version or with WN bracket.

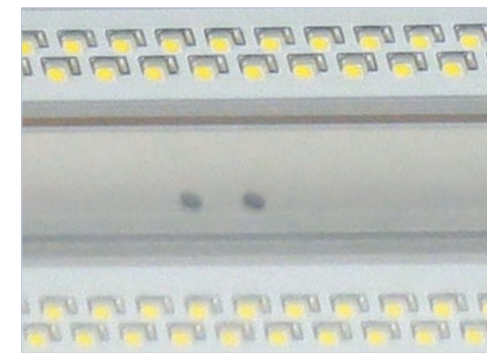
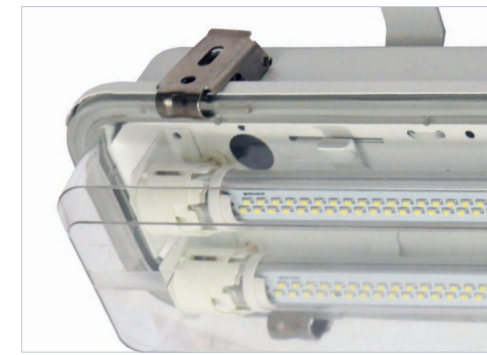
TECHNICAL DATA

Protection class: I
 Protection degree: IP 66/67
 Power factor: > 0,95
 Ambient temperature: from -35°C to +40°C**
 **dependent on used LED tubes

ELECTRIC UNIT

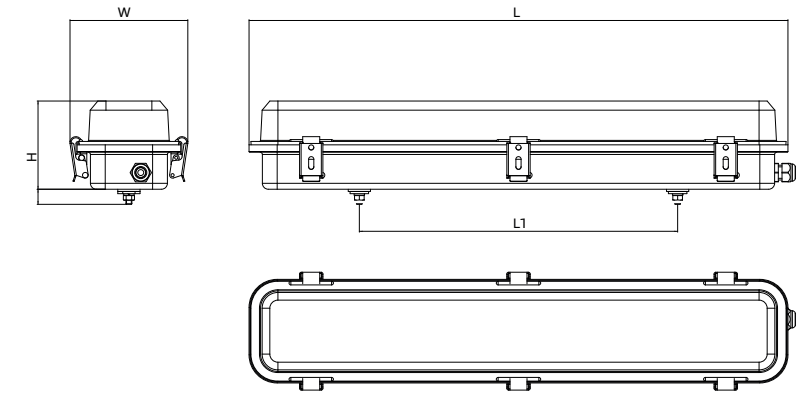
Cable gland: 2 x M20, 1 x blanking plug
 Cable diameter: ø 6-12 mm
 Terminal block: 2 x /3x4 mm²/

IP 67; IP 66; CLASS I



DIMENSIONS [mm]

Type	L	L1	W	H
TLP 44-220/LED	728	430	159	119
TLP 44-240/LED	1336	950	147	119



TYPE	LED TUBES LENGTH	LAMP BASE	WEIGHT (WITHOUT LED TUBES)
TLP 44-220/LED	600	G13	3,2 kg
TLP 44-240/LED	1200	G13	4,9 kg

CONSTRUCTION

Housing: zinc coated steel, powder painted
 Diffuser: UV stabilized and strengthened polycarbonate *
 Diffuser clips: stainless steel
 Mounting plate: zinc coated steel, powder painted

**Chemical resistance diagram available on manufacturer's website in section „Designers area“

TECHNICAL DATA



APPROVALS



TLP44 LED



WATTAGE	HOUSING	CABLE ENTRY	CABLE GLANDS	FIXING TYPE
220 -	- zinc coated steel	P 	10 M20 poliamide	W fixed bracket
240 -	S stainless steel 304*	PA 	11 M20 brass	WN bracket fixed to the body with rivet nuts
	S316 stainless steel 316L*	K 	13 M20 brass screen cable	H bolt kit
		KA 	20 M25 poliamide	
		PAK 	21 M25 brass	
		23 M25 brass screen cable		

* please select bracket W or WN