

DAP 23 MLED



Type	Wattage	Light source	Lumens	Weight
DAP 23 -MLED220/205/...	2 x 5 W	LED	1215 lm	3,5 kg
DAP 23 -MLED220/209/...	2 x 9 W	LED	2460 lm	3,5 kg
DAP 23 -MLED220/211/...	2 x 11 W	LED	2970 lm	3,5 kg
DAP 23 -MLED240/411/...	4 x 11 W	LED	5720 lm	5,3 kg

Ceiling Luminaire, surface, 2x5W; 2x9W; 2X11W; 4X11W LED

Application
passage ways, cabins

Electric
flexible wiring, heat resistant up to +105°C

Approvals
according to the rules of relevant
classification societies, additional IEC

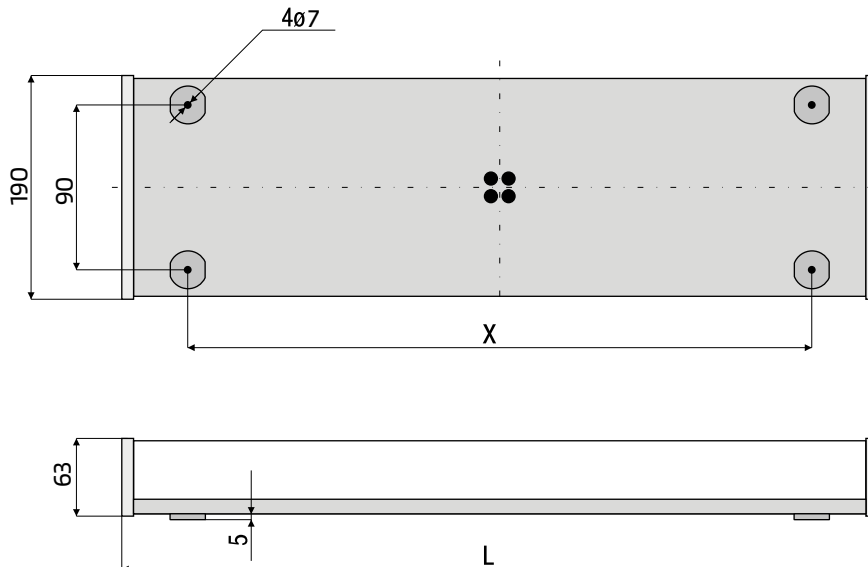
Cable entry
4 inlet, cable max Ø 11 mm

Housing
zinc coated steel, powder coated white

Cover
polycarbonate, opal

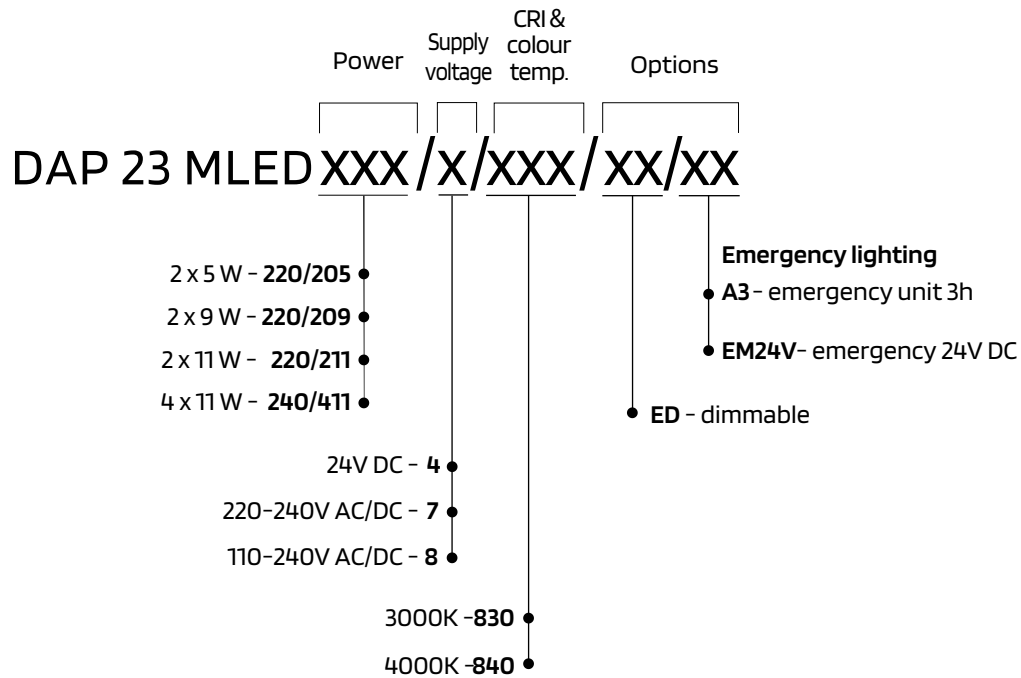
Mounting
4 mounting holes Ø 5,5 mm

DIMENSIONS [mm]



Type	L	X
DAP 23-MLED/2x5W	629	450
DAP 23-MLED/2x9W	629	450
DAP 23-MLED/2x11W	629	450
DAP 23-MLED/4x11W	1252	1059

ORDER SPECIFICATION



Example of type description

DAP 23 MLED220/205/7/840 light fitting with LED source, 2x5W, supply voltage 220V-240V AC/DC, CRI 80, colour temperature 4000K

TECHNICAL DATA

IP 30

220-240V
AC/DC



OPTIONS

110-240V
AC/DC

Dimmable

24V
DC

Emergency
24V DC

Battery
Backup 3h
System