



REMONTOWA MEMBER OF
LIGHTING TECHNOLOGIES REMONTOWA
HOLDING S.A.

LUMINAIRES MARINE APPLICATION

2024

Remontowa Lighting Technologies S.A. formerly known as Polam-Rem - we are one of the leading European manufacturers of lighting fixtures for maritime and industry.

We manufacture lighting fixtures designed for lighting vessels, offshore and shipyard/port infrastructure.

All our lighting fixtures are certified and meet all European quality standards and norms.

We offer a comprehensive range of lighting services in the international arena. With our dedicated and experienced design team and efficient production processes, we are able to meet the most demanding specifications. Striving to meet all your requirements, with the best possible solution, you can be confident in us as your lighting partner.

Together we will meet the daily challenges, discover new possibilities and with our experience and passion provide you with the highest quality lighting.

TABLE OF CONTENTS



FLOODLIGHTS



STP 20 MLED ----- 1. 01



EXPLOSIONPROOF



EXP 83 MLED ----- 2. 01
 EXP 83 ----- 2. 03
 113 Ex ----- 2. 05

EXP 03 MLED ----- 2. 07
 EXP 03 ----- 2. 09



TECHNICAL / OUTDOOR



TLP 67 MLED ----- 3. 01
 TLP 67 ----- 3. 05
 KLP 61 MLED ----- 3. 09
 KZP 61 MLED ----- 3. 11
 TZP 44 MLED ----- 3. 13
 SLP 97 MLED ----- 3. 17
 SLP 98 MLED ----- 3. 19



INTERIOR



DEP 28 MLED ----- 4. 01	DAP 23 MLED ----- 4. 23
DEP 28 ----- 4. 03	DAP 23 ----- 4. 25
DEP 19 MLED ----- 4. 05	KJP 27 MLED ----- 4. 27
DEP 19 ----- 4. 09	KJP 41 MLED ----- 4. 29
DEP 95 MLED ----- 4. 13	KJP 28 MLED ----- 4. 31
DEP 95 ----- 4. 15	
KJP 40 MLED ----- 4. 17	
ELP 33 MLED ----- 4. 19	
ELP 33 ----- 4. 21	



DOWNLIGHTS



DLP 38 MLED ----- 5. 01



DECORATIVE



JUPITER 1 ----- 6. 01
 JUPITER 2 ----- 6. 02
 JUPITER 5 ----- 6. 03

JUPITER 7 ----- 6. 04
 WLP 60 ----- 6. 05



OFFICE AND WORKPLACE



TIP 14 MLED ----- 7. 01
 TIP 15 MLED ----- 7. 02

TIP 16 MLED ----- 7. 03
 TIP 20 MLED ----- 7. 04



EMERGENCY



HLP 02 MLED ----- 8. 01

HLP 20 MLED ----- 8. 02

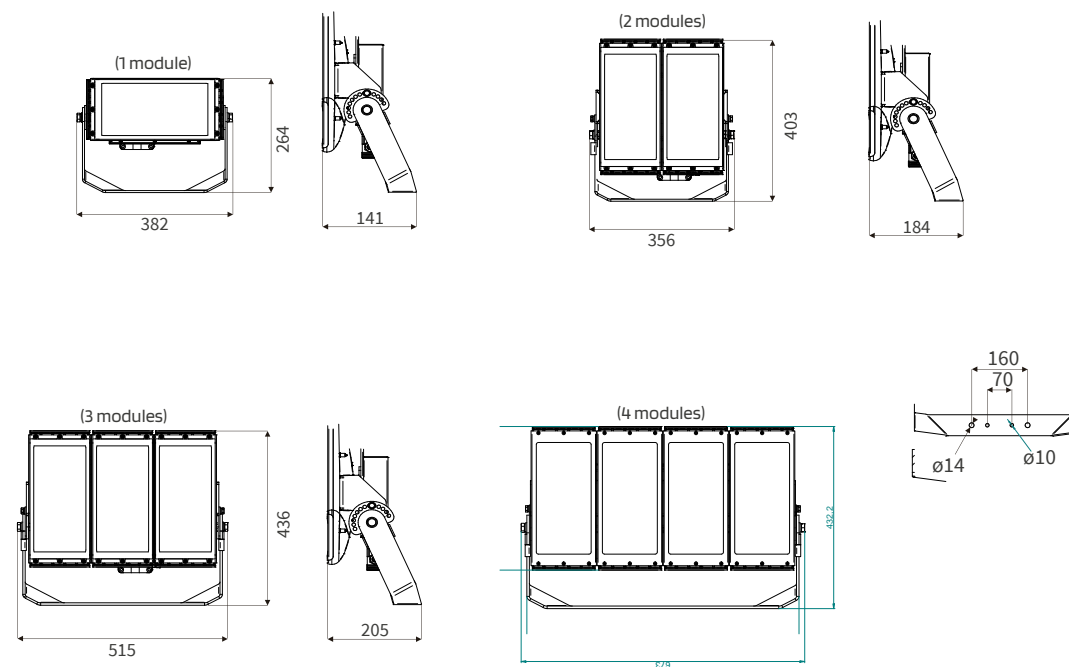


FLOODLIGHTS

STP 20 MLED



DIMENSIONS [mm]



Type	No. of modules	Wattage	Optics	Lumens	Weight
STP 20 MLED1/050/8/840/W	1	50 W	wide	8260 lm	8,1 kg
STP 20 MLED2/100/8/840/W	2	100 W	wide	16490 lm	12,4 kg
STP 20 MLED3/150/8/840/W	3	150 W	wide	26490 lm	17,1 kg
STP 20 MLED4/200/8/840/W	4	200 W	wide	32410 lm	17,1 kg

*manufacturer permits a tolerance +/- 10%
Manufacturer reserves their right to change technical parameters due to technical development.

Watertight and dustproof floodlight

Application

decks, technical and utility rooms, cargo holds, engine rooms, storage yards.

Technical description

Housing: marine grade aluminium, powder painted
Radiator: marine grade aluminium, powder painted
Diffuser: strengthened glass
Bolts: stainless steel

Mounting / Installation

direct wall or ceiling mouting with adjustable stainless steel bracket.

Electric parameters

basic power supply: 110-240V AC
power factor: > 0,95
cable glands: max 2 cable glands
cable diameter: Ø 6-12 mm (M20 brass)

Ending or through wiring

LED parameters

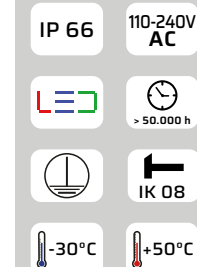
colour temp.: 4000K
lifetime: > 130 000 h

LED board equipped with lenses for light pattern shaping and reducing glare

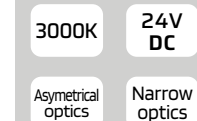
Example of type description

STP 20 MLED1/050/8/840/N – STP 20 MLED luminaire, wattage 50W, 4000K, CRI 80, narrow beam

TECHNICAL DATA



OPTIONS





MARINE PRODUCT

EXPLOSIONPROOF

EXP 83 MLED



Type	Wattage	Light source	Lumens	Weight
EXP 83-MLED/220/125/D	1x25W	LED panel with opal cover	2500 lm	4,9 kg
EXP 83-MLED/240/150/D	1x50W	LED panel with opal cover	5000 lm	7,5 kg

Explosionproof luminaire, surface 1x25W / 1X50W LED

Application
hazardous zone 1,21; 2, 22

Approvals authority:
ATEX

Ex marking
II 2G Ex db eb mb IIC T4 Gb
II 2D Ex tb IIIC T60°C / 65°C IP66/IP67 Db

Housing
zinc coated steel or stainless steel,
powder coated white

Diffuser
clear polycarbonate

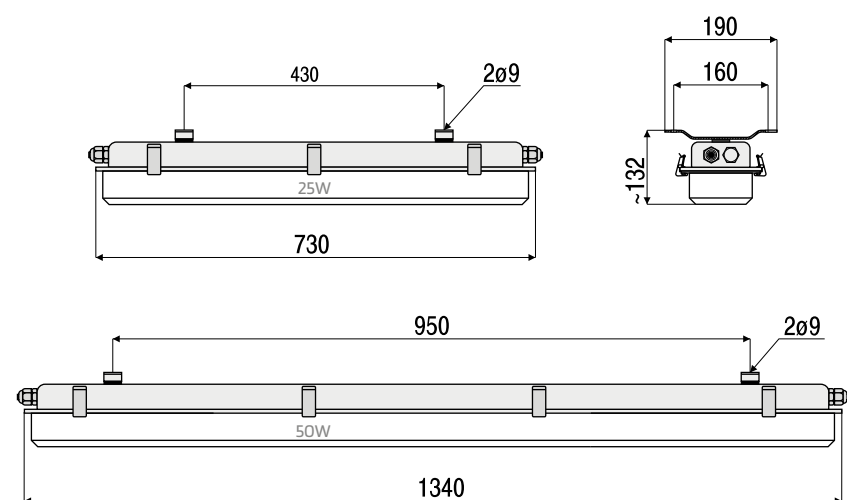
Light source life time
> 50 000 h

Electric
flexible wiring, heat resistant
up to +105°C

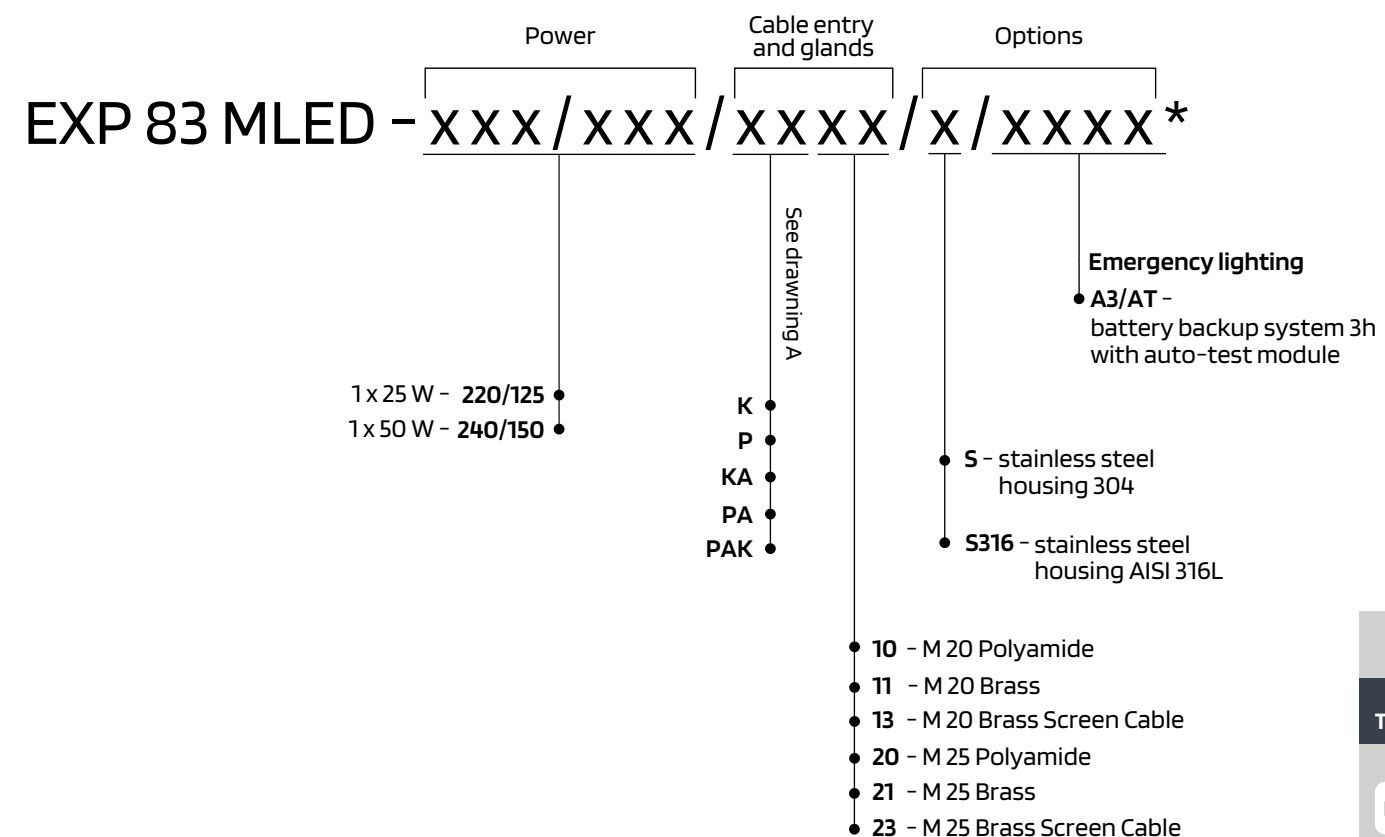
Cable entry
max 4 cable glands, see diagram A

Mounting
2 brackets with 2 mounting
holes ø 9 mm

DIMENSIONS [mm]



ORDER SPECIFICATION

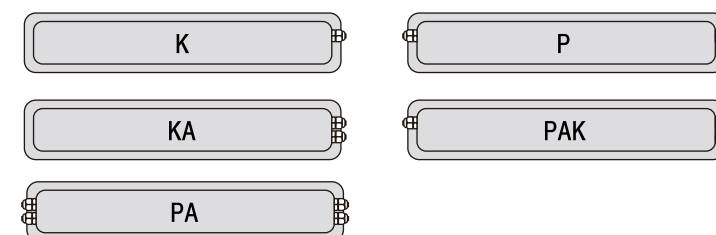


*marking on the label may differ from the order specification

Example of type description

EXP 83 MLED220/125/DO/P11/S316 - light fitting with LED source, 25W, supply voltage 110-254V 50/60Hz, through wiring (2 brass cable glands M20), stainless steel 316 housing

A. Cable entry



TECHNICAL DATA

IP 66 IP 67

110V-254V 50-60Hz

-35°C +40°C



OPTIONS

Battery Backup System **3h**

Stainless Steel Housing

SC-Glands for screen cable





Type	Light source power / lamp base	Light source	Weight
EXP 83-218...	2 x 18 W / G 13	fluorescent lamp	6,1 kg
EXP 83-236...	2 x 36 W / G 13	fluorescent lamp	8,3 kg

Explosionproof luminaire, surface 2x18W / 2x36W

Application
hazardous zone 1,21; 2, 22

Diffuser
clear polycarbonate

Approvals authority:
KDB 04ATEX339X

Lamps (not included)
fluorescent lamp 18W/36W

Ex marking
II 2G Ex de mb IIC T4 Gb
II 2D Ex t IIIC T60°C-T65°C IP 66/67 Db

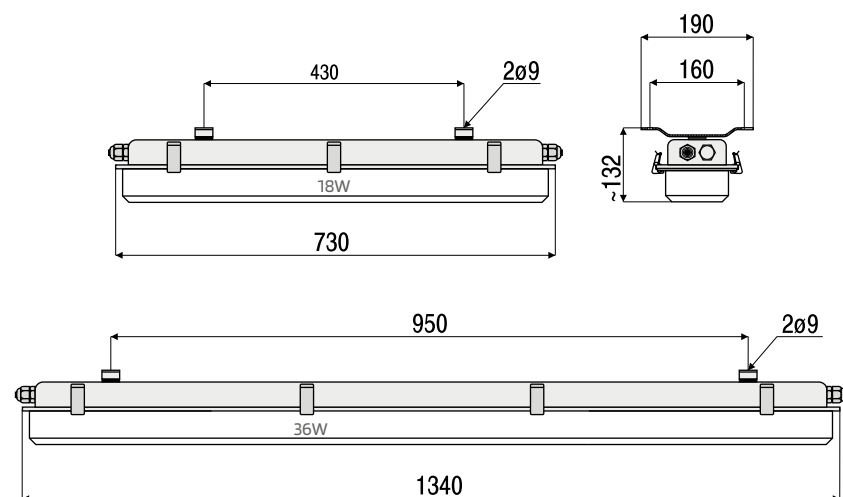
Electric
flexible wiring, heat resistant up to +105°C

Housing
zinc coated steel or stainless steel,
powder coated white

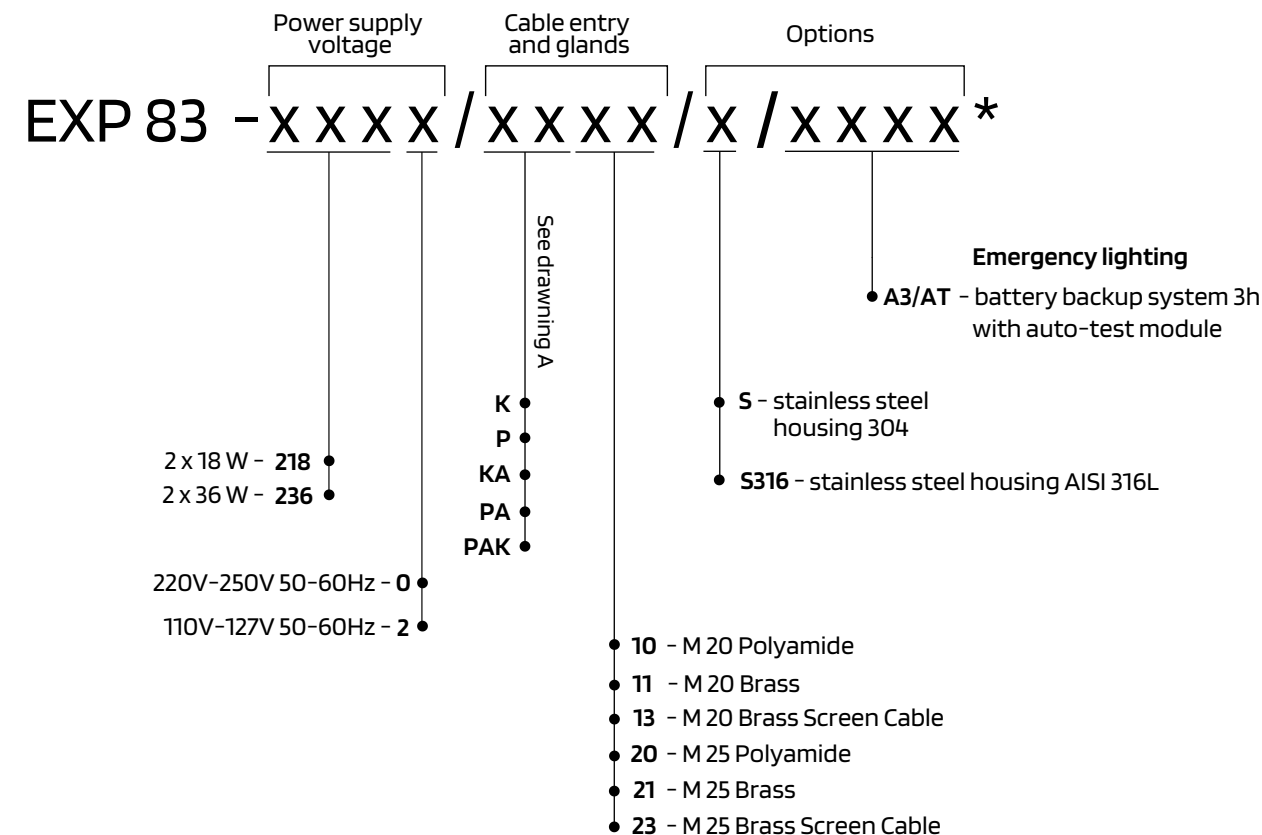
Cable entry
max 4 cable glands, see diagram A

Mounting
2 brackets with 2 mounting holes \varnothing 9 mm

DIMENSIONS [mm]



ORDER SPECIFICATION

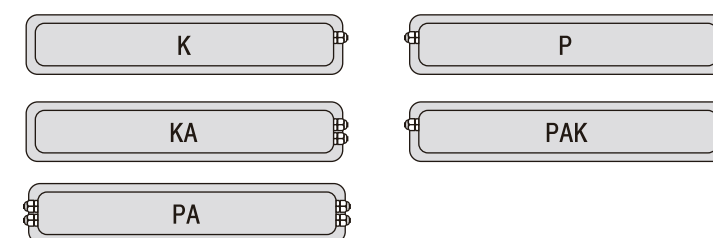


*marking on the label may differ from the order specification

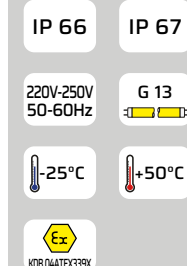
Example of type description

EXP 83 - 2180/PA10/S - explosion proof light fitting for two fluorescent lamps 18W with socket G13; supply voltage 220V-250V AC/DC; through wiring with 4 polyamide M20 glands; stainless steel housing 304

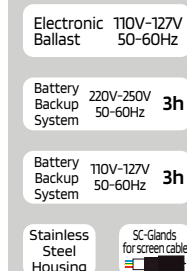
A. Cable entry



TECHNICAL DATA



OPTIONS



**113
EX**



Type	Light source	Lamp base	Wattage	Voltage	Weight
113- ... EX	A 80	E27	max 200 W	230V AC 50Hz	5,8 kg
	HME-SB		max 160 W	230V AC 50Hz	5,8 kg
	A		max 100 W	110V AC/DC 42V AC/DC	5,8 kg
	A		max 60 W	230V DC	5,8 kg
	A		max 60 W	24V AC/DC	5,8 kg
	TC-TSE		max 23 W	230V AC	5,8 kg

Explosionproof luminaire, surface

Application

outdoor/indoor, hazardous zone: 1,21; 2,22

Approvals authority:

KDB - 04 ATEX 279X

Ex series

II 3G Ex nA IIC T5 Gc
II 3D Ex t IIIC T60°-65°C IP 66/67 Dc

Housing

aluminium powder painted

Diffuser

borosilicate glass

Lamps (not included)

see specification

Electric

flexible wiring, heat resistant up to +105°C

Cable entry

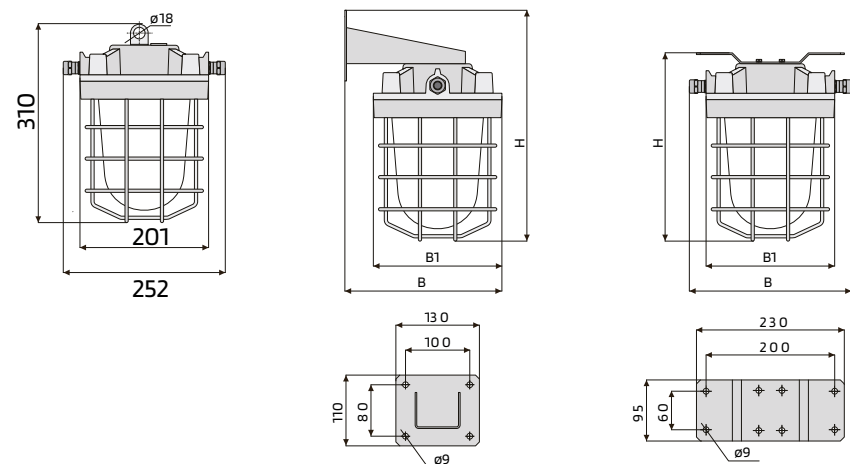
M20 cable gland \varnothing 8-13 mm

Mounting

suspended luminaire or wall / ceiling bracket

DIMENSIONS [mm]

113-... E x/C/W

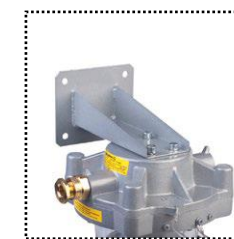
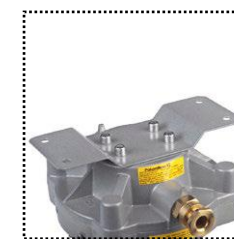


ORDER SPECIFICATION

Wiring type Options
113 - XX Ex / X / X

ending wiring - **03**
through wiring - **04**

C/W - ceiling / wall bracket



Example of type description

113-04 Ex/C/W - explosionproof light fitting with socket E27; supply voltage according to the source; through wiring; 2 glands M20; ceiling / wall bracket.

Additional equipment (ordered separately)

Wire guard

Ordering index: 31-173-2004



Flat reflector

Ordering index: 31-173-2000



Cone reflector

Ordering index: 31-173-2001



TECHNICAL DATA

IP 66 230V
50Hz

E27 Ex

-20°C +45°C

OPTIONS

Steel Wire Guard

Flat Reflector Cone Reflector

Wall/Ceiling Bracket SC-Glands for screen cable

**EXP 03
MLED**



Type	Wattage	Light source	Lumens	Weight
EXP 03-MLED220/209/840	19W	LED	2350 lm	3,3 kg
EXP 03-MLED220/211/840	25W		3270 lm	3,3 kg
EXP 03-MLED240/409/840	39W		5050 lm	5,7 kg
EXP 03-MLED240/411/840	50W		6520 lm	5,7 kg
EXP 03-MLED240/417/840	70W		8440 lm	5,7 kg

Explosionproof luminaire, surface 2x9W / 2x11W / 4x9W / 4x11W / 4x17W

Application
hazardous zone 2,22

Light source life time
> 50 000 h

Ex marking
II 3G Ex nA IIC T4 Gc
II 3D Ex tc IIIC T65°C IP 66/67 Dc

Electric
flexible wiring, heat resistant up to +105°C

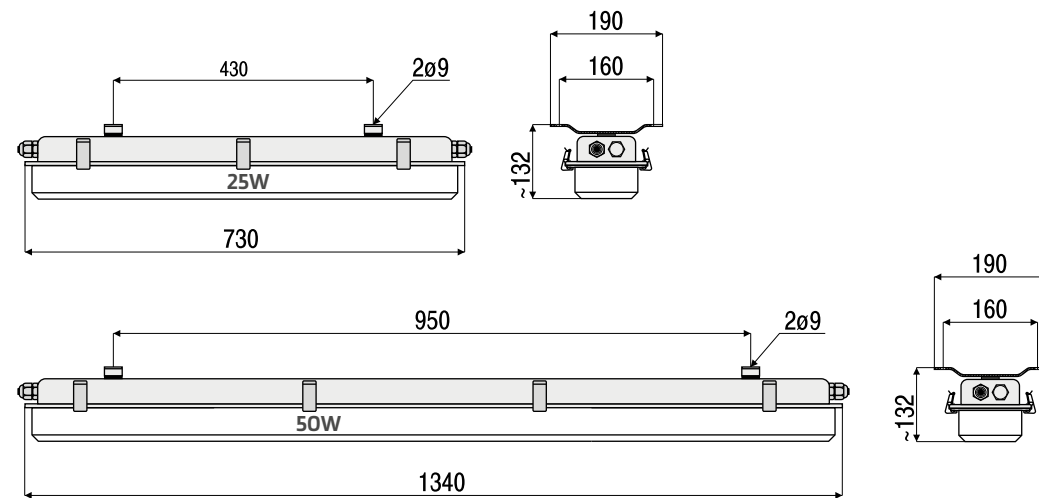
Housing
zinc coated steel or stainless steel,
powder coated white

Cable entry
max 4 cable glands, see drawing A

Diffuser
clear polycarbonate

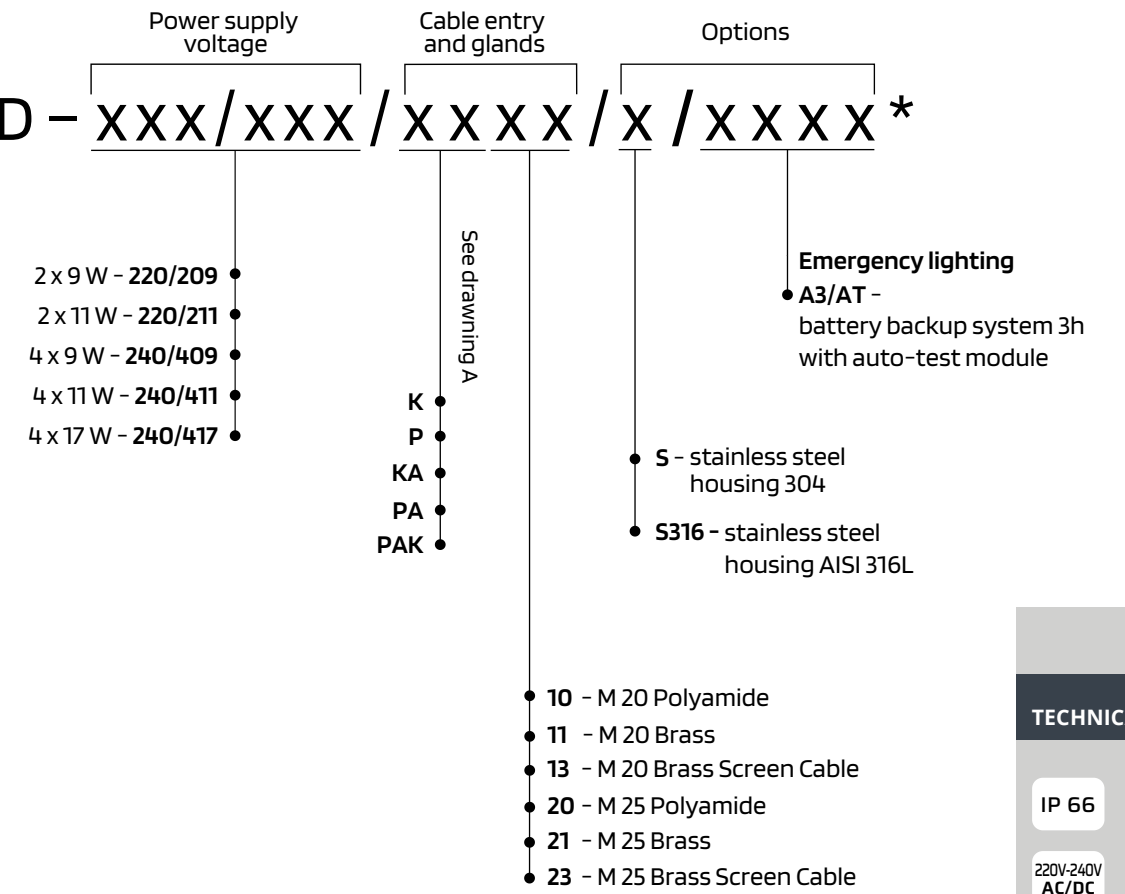
Mounting
2 brackets with 2 mounting holes ø 9 mm

DIMENSIONS [mm]



ORDER SPECIFICATION

EXP 03 MLED – **xxx/xxx/xxxx/x/xxxx** *

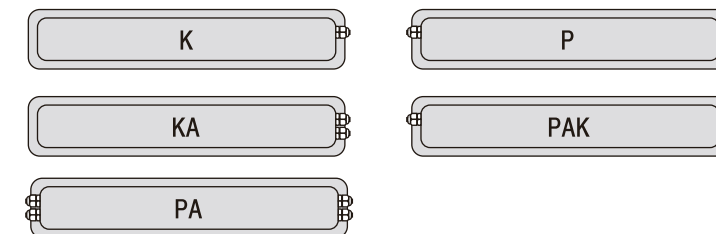


*Remarks: Other types of brackets on request.

Example of type description

EXP 03 MLED220/209/840/P11/S - light fitting with LED source, 2x9W, supply voltage 220-240V AC/DC, through wiring (2 brass cable glands M20), stainless steel 304 housing

A. Cable entry



TECHNICAL DATA

- IP 66 IP 67
- 220V-240V AC/DC
- 20°C +40°C
- Ex Zone 2,22

OPTIONS

- Battery Backup System **3h**
- Stainless Steel Housing
- SC-Glands for screen cable





Type	Light source power / lamp base	Light source	Weight
EXP 03-2180	2 x 18 W / G 13	fluorescent lamp	6,1 kg
EXP 03-2360	2 x 36 W / G 13	fluorescent lamp	8,3 kg

Explosionproof luminaire, surface 2x18W; 2x36W

Application
hazardous areas zone 2,22

Lamps (not included)
fluorescent lamp 18W/36W

Ex marking
II 3G Ex nA IIC T5 Gc
II 3D Ex t IIIC T60°-65°C IP 66/67 Dc

Electric
flexible wiring, heat resistant up to +105°C

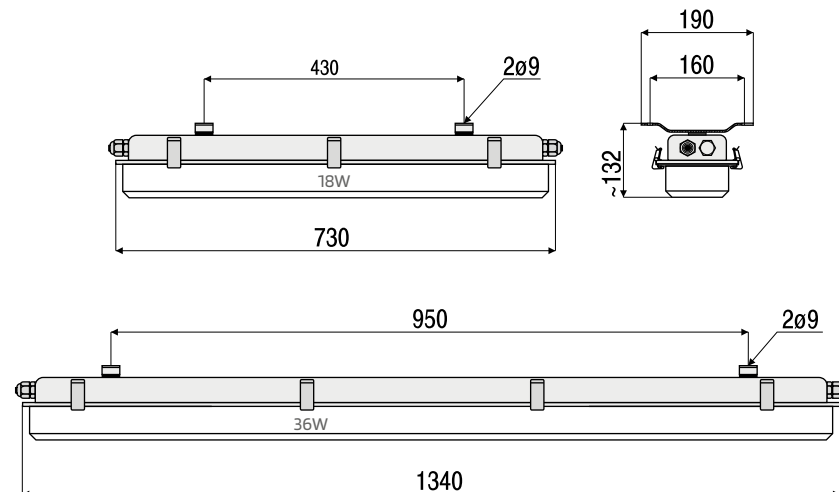
Housing
zinc coated steel or stainless steel,
powder coated white

Cable entry
max 4 cable glands, see drawing A

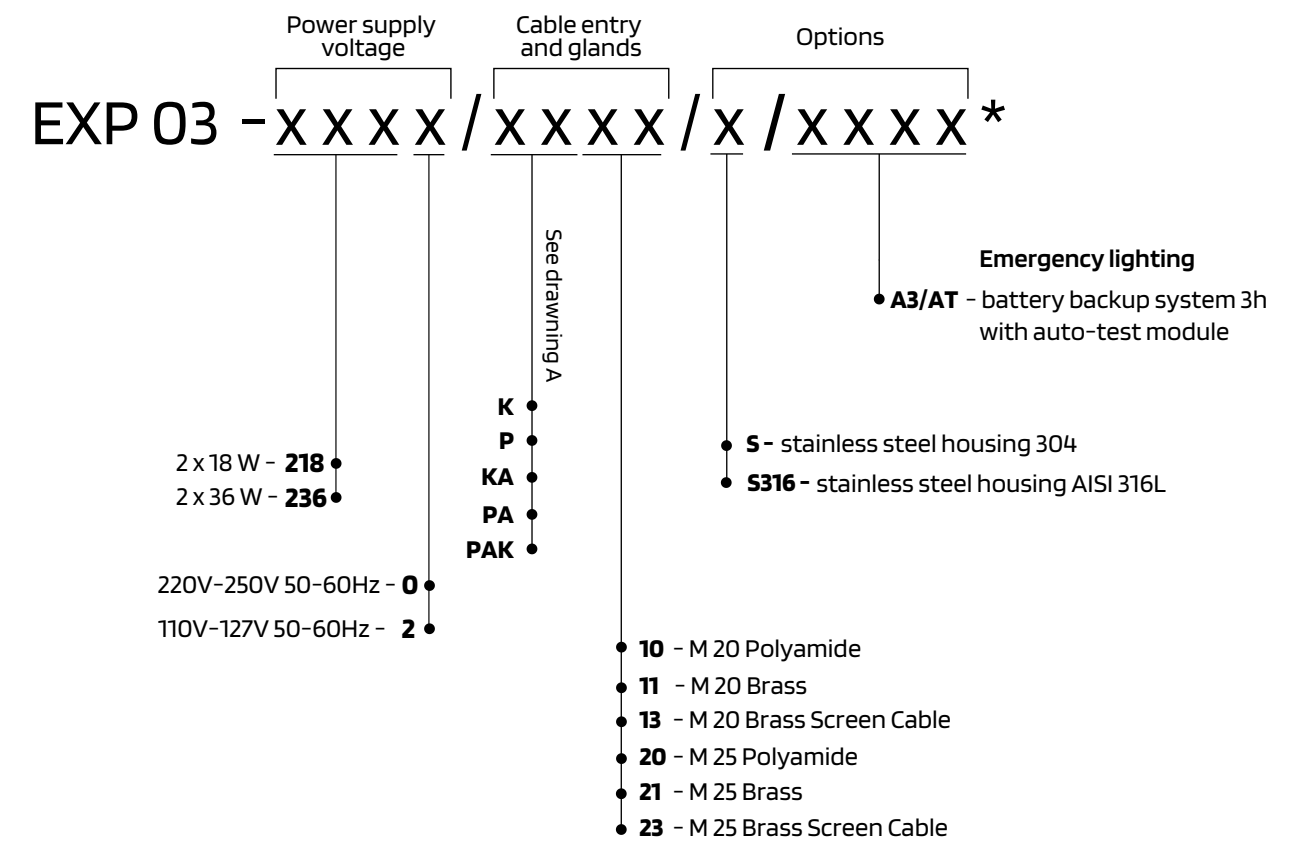
Diffuser
clear polycarbonate

Mounting
2 welded brackets with 2 mounting holes ø 9 mm

DIMENSIONS [mm]



ORDER SPECIFICATION

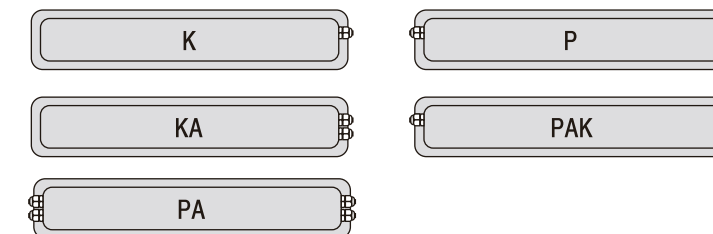


*marking on the label may differ from the order specification

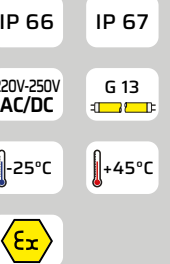
Example of type description

EXP 03 - 2180/PA10/S - explosion proof light fitting for two fluorescent lamps 18W with socket G13; supply voltage 220V-250V AC/DC; through wiring with 4 polyamide M20 glands; stainless steel housing 304.

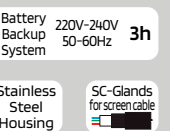
A. Cable entry



TECHNICAL DATA



OPTIONS



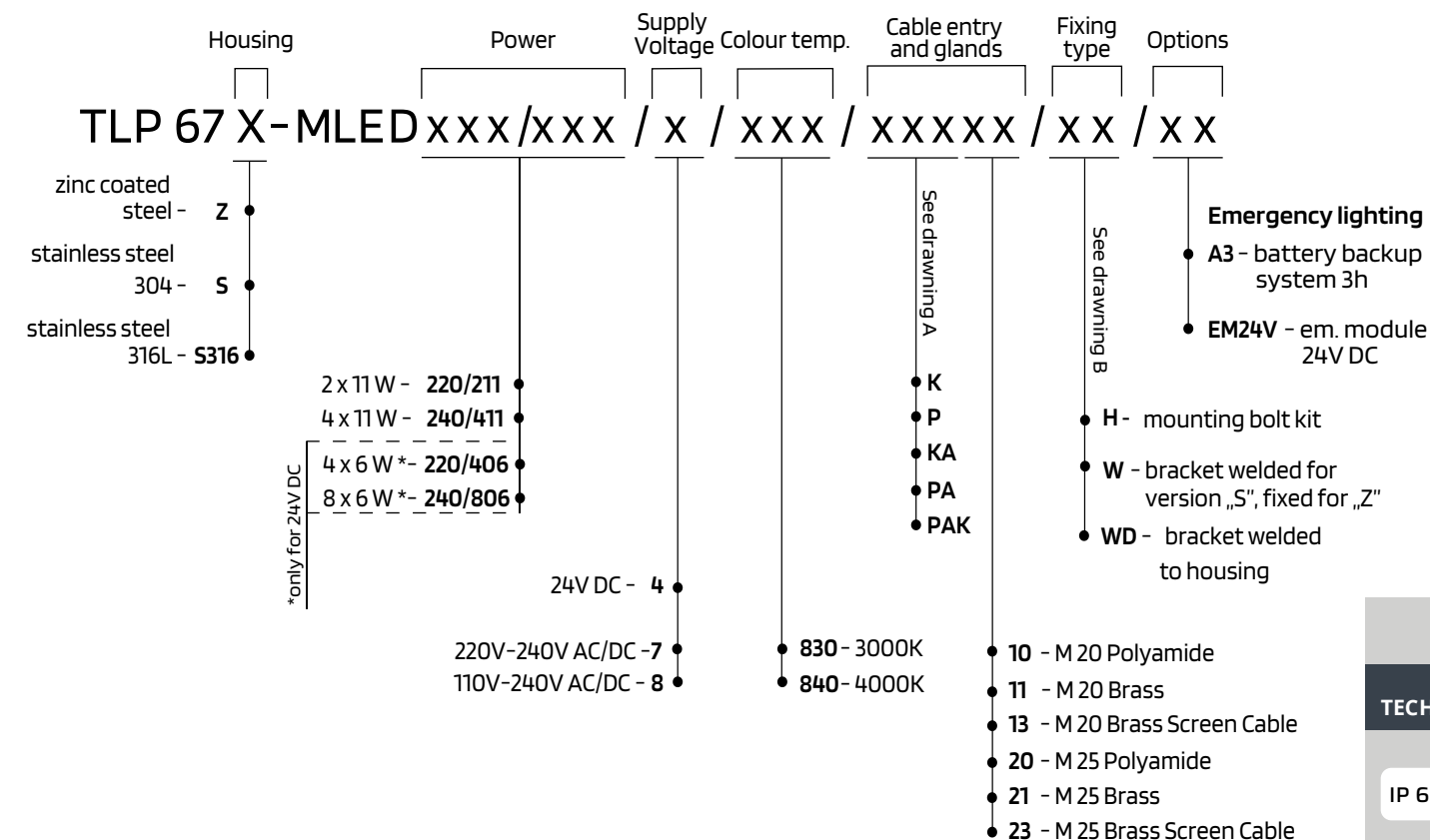


TECHNICAL / OUTDOOR

TLP 67 MLED



ORDER SPECIFICATION



Type	Wattage	Light source	Lumens	Weight
TLP 67-MLED220/211/...	2 x 11 W		2 x 1250 lm	3,9 kg
TLP 67-MLED240/411/...	4 x 11 W		4 x 1250 lm	4,2 kg
TLP 67-MLED220/406/...	4 x 6 W (24V DC)	LED	4 x 770 lm	3,5 kg
TLP 67-MLED240/806/...	8 x 6 W (24V DC)		8 x 770 lm	4,0 kg

Watertight luminaire, surface 2x11W / 4x11W / 4x6W / 8x6W LED

Application

Watertight luminaire for decks, engine rooms, holds, storage yards, working spaces, industrial areas, etc.

Diffuser

polycarbonate, clear

Approvals

according to the rules of relevant classification societies, additional IEC

Electric

flexible wiring, heat resistant up to +105°C

Cable entry

max 4 cable glands, see drawing A

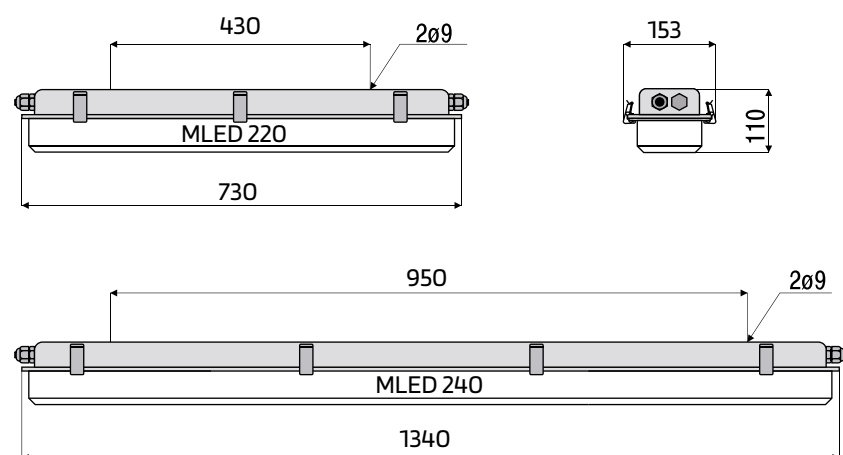
Housing

zinc coated steel or stainless steel
powder coated white

Mounting

See drawing B

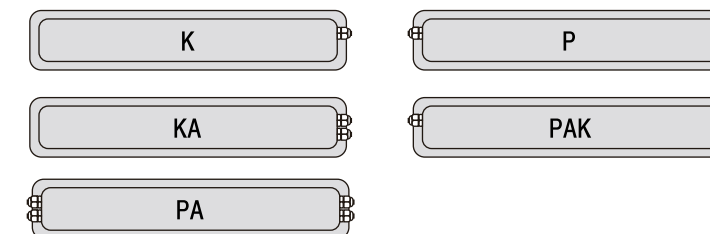
DIMENSIONS [mm]



Example of type description

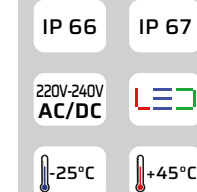
TLP 67S-MLED220/211/7/830/P11/W - stainless steel 304 light fitting with LED panels (2x11W), power supply 220-240V AC/DC; light color temp.: 3000K; through wiring (2 brass glands M20); fixing - two „w” brackets.

A. Cable entry

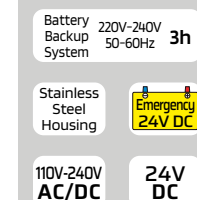


M 20			M 25		
Polyamide	Brass	Brass SC	Polyamide	Brass	Brass SC
Cable dia. 6-12 /mm/	Cable dia. 8-14,5 /mm/	Cable dia. 7-12,5 /mm/	Cable dia. 11-17 /mm/	Cable dia. 9-17 /mm/	Cable dia. 9-17 /mm/
10	11	13	20	21	23

TECHNICAL DATA

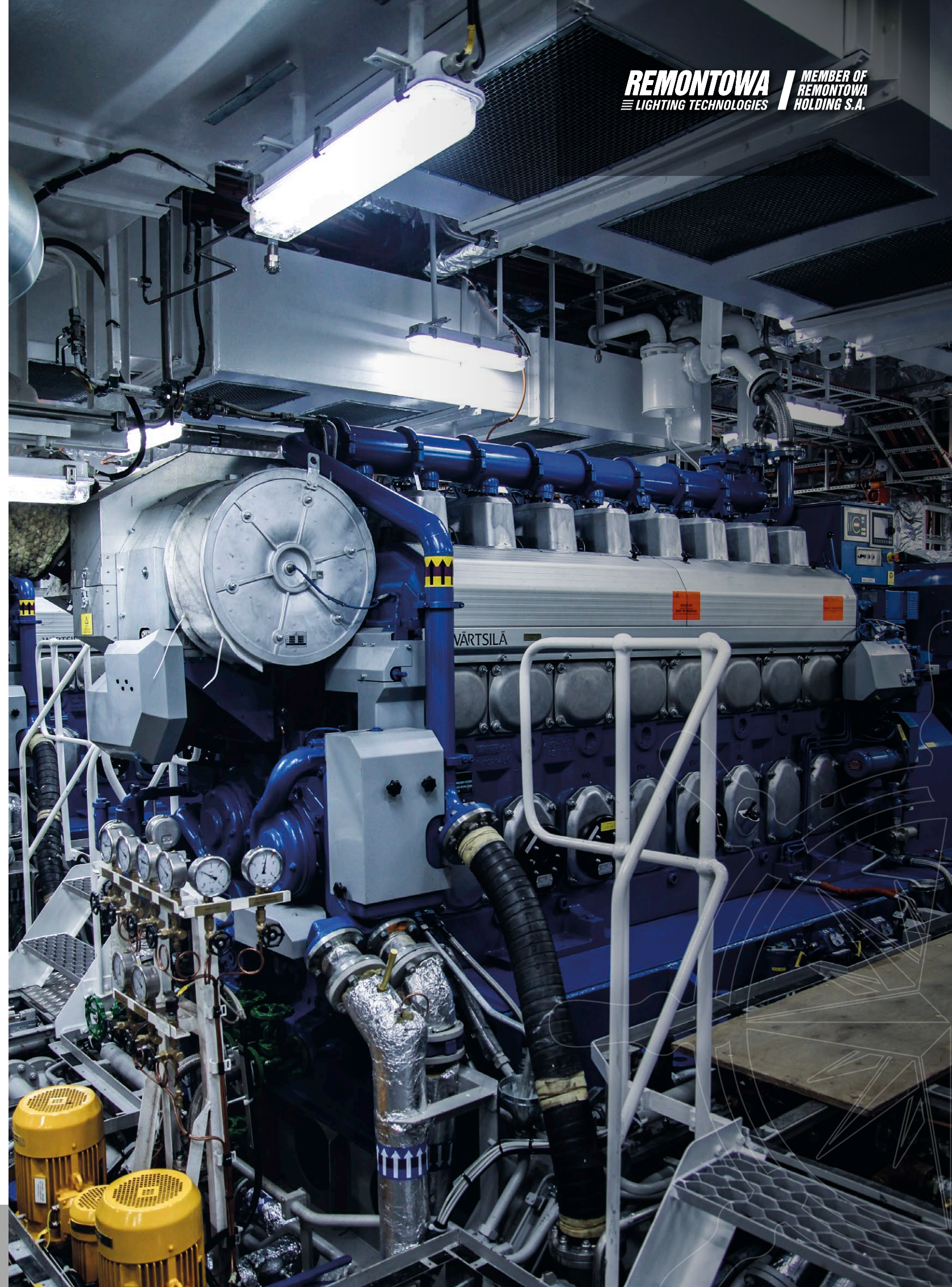
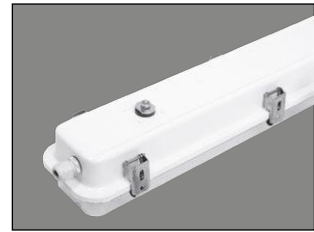
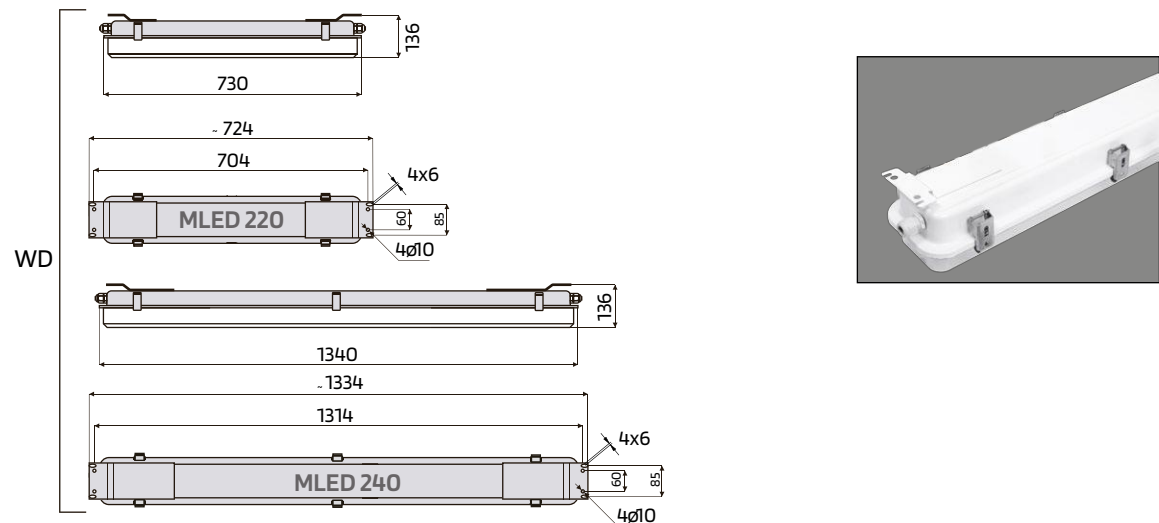
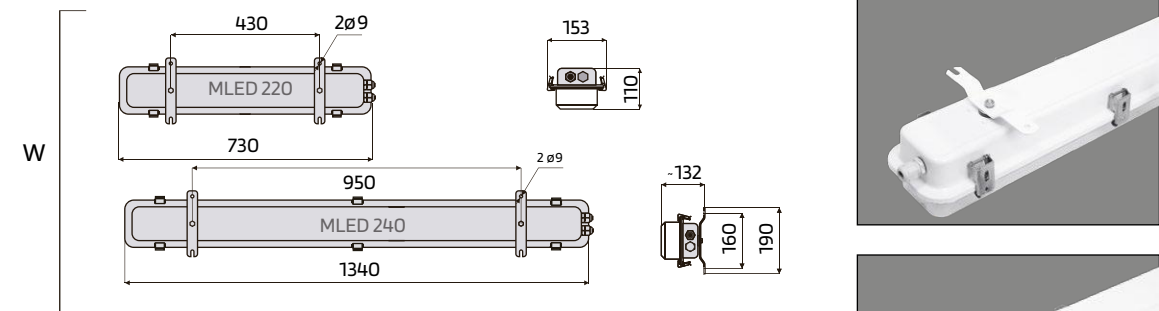
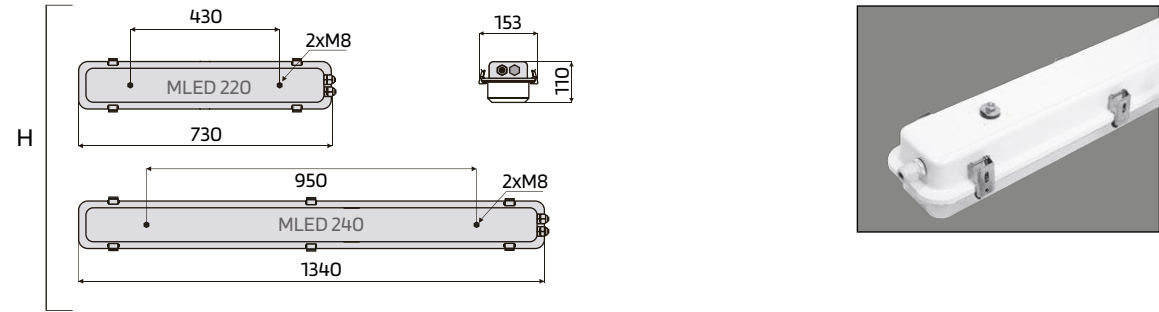


OPTIONS



TLP 67
MLED

B. Fixing type



**TLP
67**



Type	Light source power / lamp base	Light source	Weight
TLP 67-118	1 x 18 W / G 13		3,5 kg
TLP 67-218	2 x 18 W / G 13	fluorescent lamp	4,0 kg
TLP 67-136	1 x 36 W / G 13		5,6 kg
TLP 67-236	2 x 36 W / G 13		6,2 kg

Watertight luminaire, surface 1x18W/2x18W; 1x36W/2x36W

Application

watertight luminaire for decks, engine rooms, holds, storage yards, working spaces, in dustrial areas, etc.

Lamps (not included)

fluorescent lamp 18W/36W

Approvals

according to the rules of relevant classification societies, additional IEC

Electric

flexible wiring, heat resistant up to +105°C

Housing

zinc coated steel or stainless steel, powder coated white

Cable entry

max 4 cable glands, see drawing A

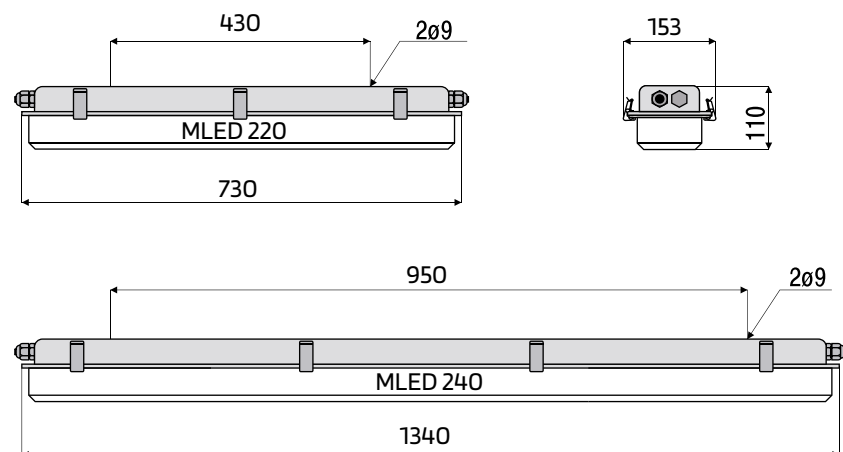
Diffuser

polycarbonate, clear

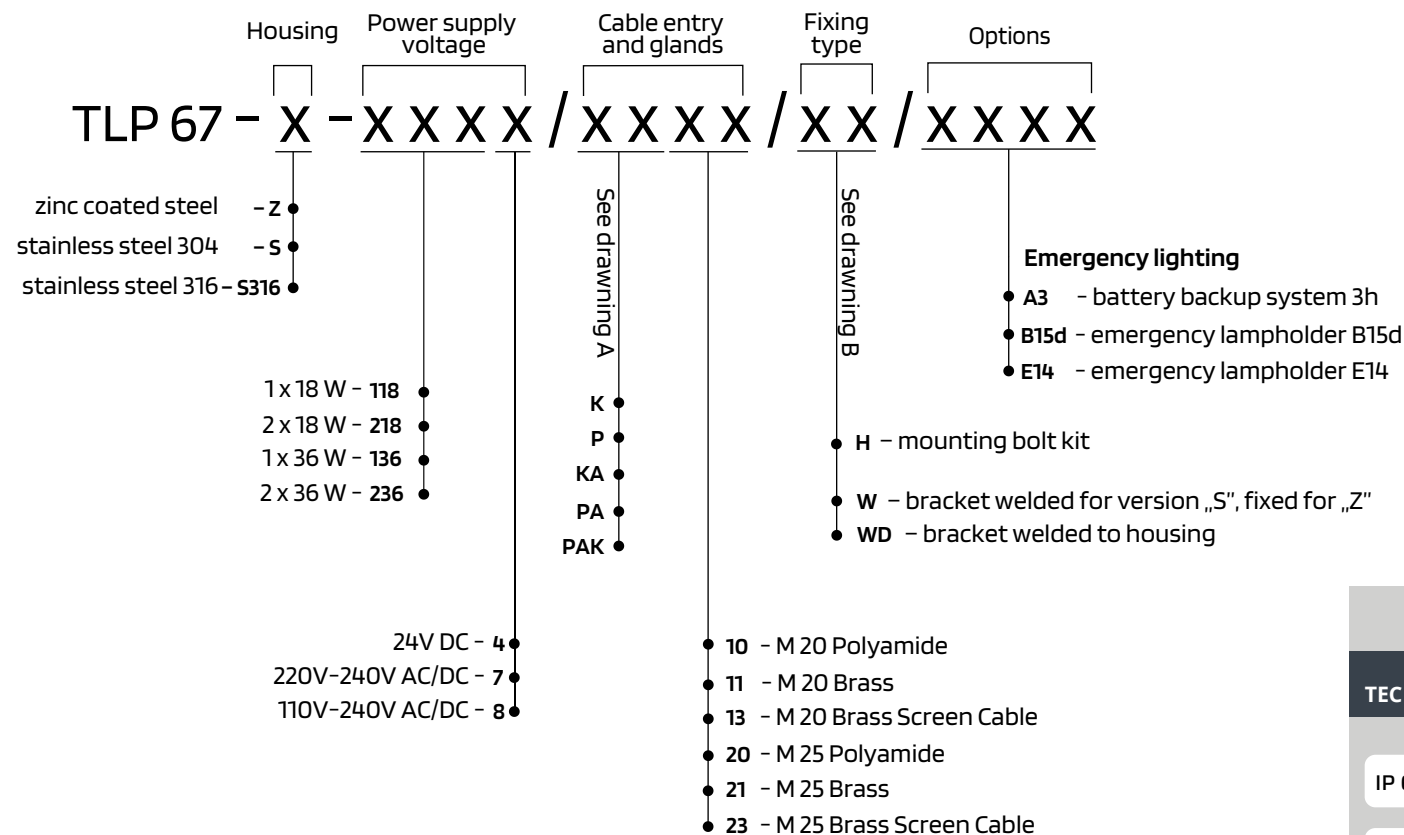
Mounting

See drawing A

DIMENSIONS [mm]



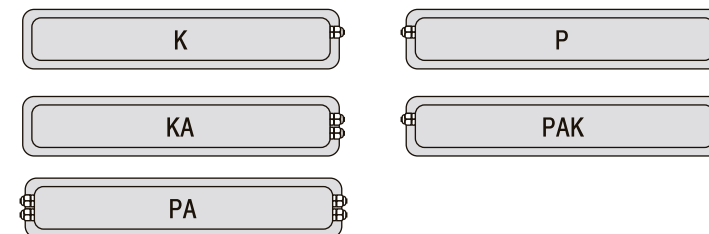
ORDER SPECIFICATION



Example of type description

TLP 67S - 2187/PA10/W - light fitting for two fluorescent lamp 18 W with socket 13; supply voltage 220-240V AC/DC; through wiring 4 glands; fixing - two „w“ brackets; housing of stainless steel 304

A. Cable entry



M 20			M 25		
Polyamide	Brass	Brass SC	Polyamide	Brass	Brass SC
Cable dia. 6-12 /mm/	Cable dia. 8-14,5 /mm/	Cable dia. 7-12,5 /mm/	Cable dia. 11-17 /mm/	Cable dia. 9-17 /mm/	Cable dia. 9-17 /mm/
10	11	13	20	21	23

TECHNICAL DATA

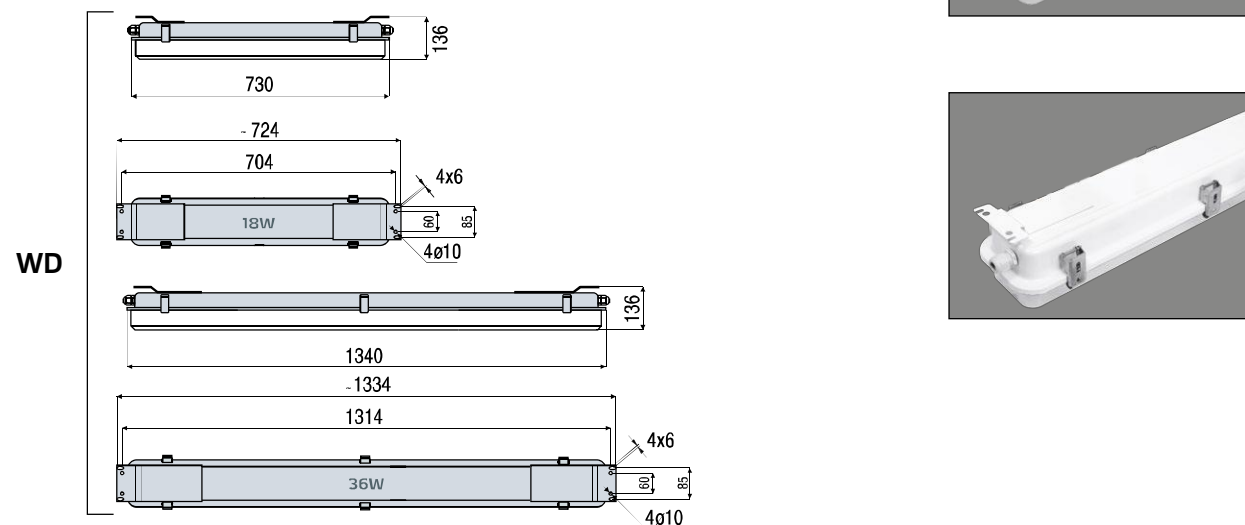
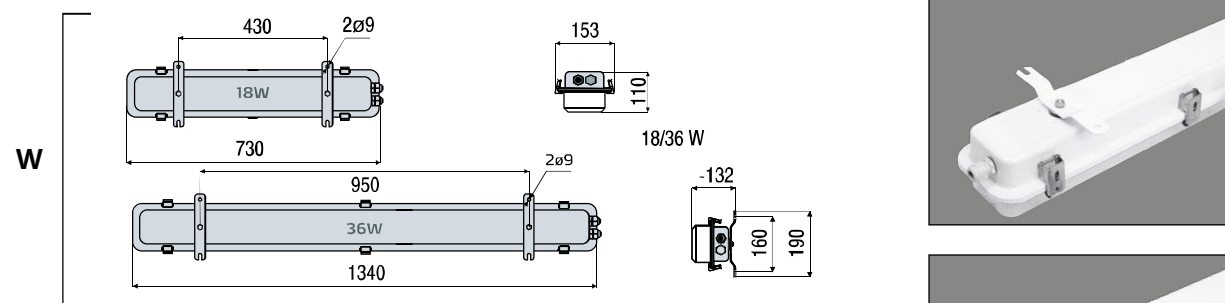
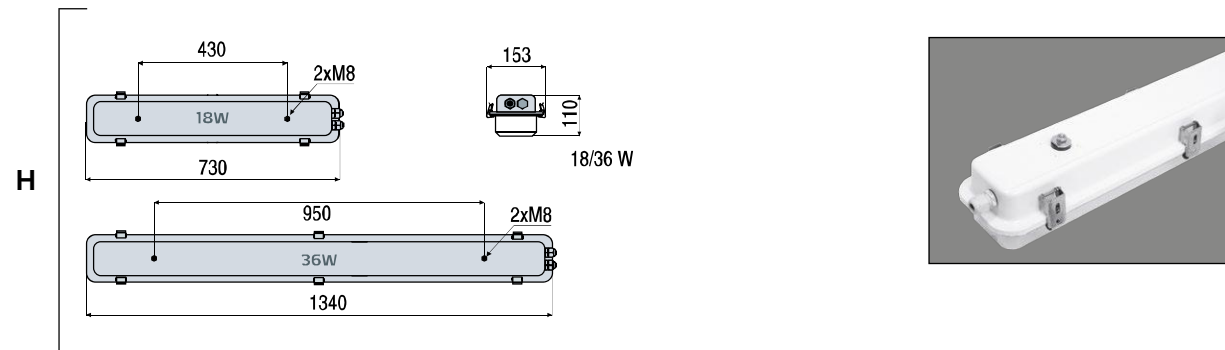
IP 67 IP 66
 220-240V AC/DC G 13
 -20°C +45°C

OPTIONS

Magnetic Ballast 110V-240V AC/DC
 Battery Backup 3h System 24V DC
 Emergency Lampholder B15d Emergency Lampholder E14
 Stainless Steel Housing



B. Fixing type

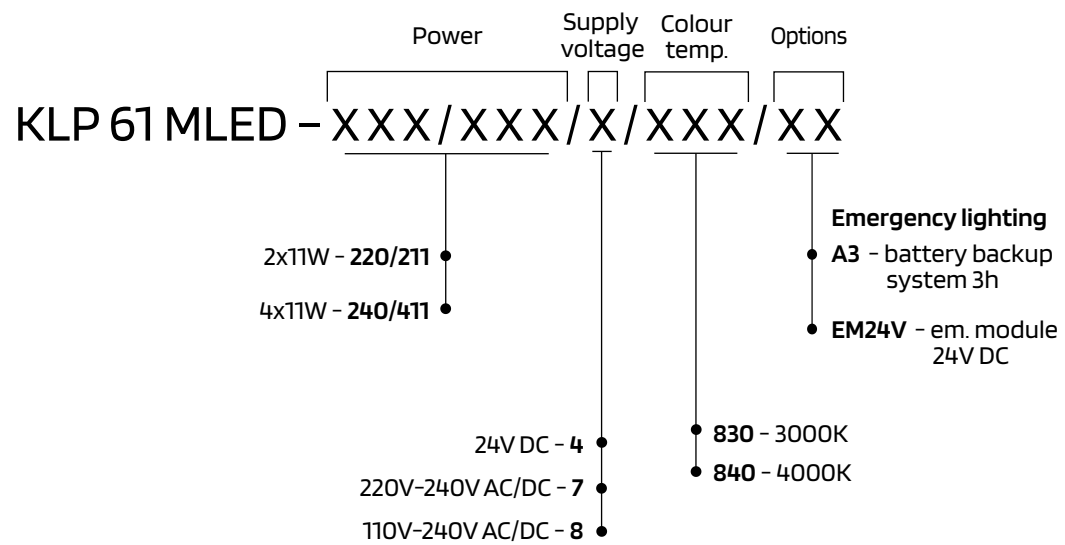


KLP 61 MLED



Type	Wattage	Light source	Lumens	Weight
KLP 61-220/211/MLED	2 x 11 W	LED	2 x 1250 lm	4,2 kg
KLP 61-240/411/MLED	4 x 11 W		4 x 1250 lm	6,3 kg

ORDER SPECIFICATION

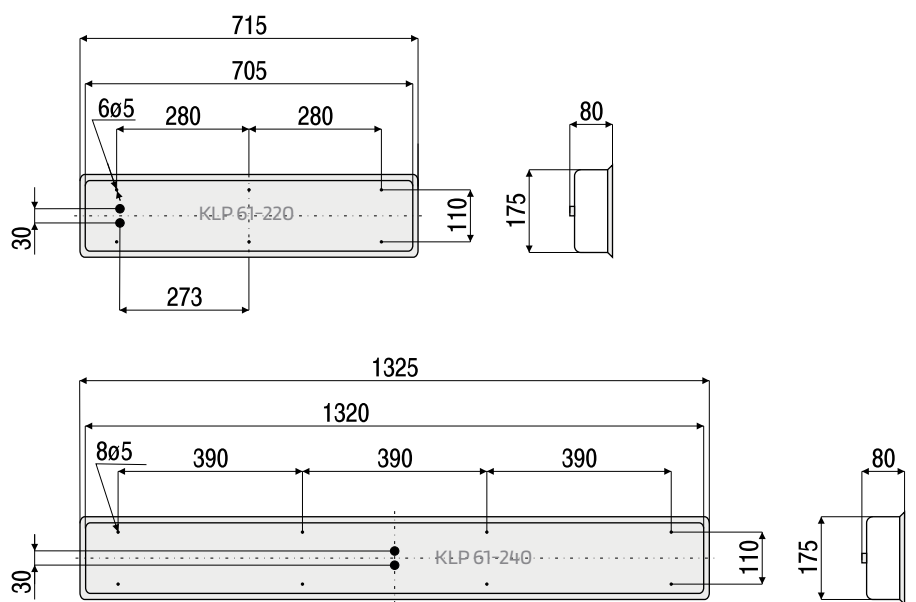


Kitchen Luminaire, surface, 2x11W/4x11W LED

- Application:** galleys, kitchen, pantries, provision rooms
- Approvals:** according to the rules of relevant classification societies, additional IEC
- Baseplate:** stainless steel
- Diffuser:** polycarbonate, clear
- Gasket:** silicone rubber
- Electric:** flexible wiring, heat resistant up to +105°C
- Cable entry:** 2 plastic cable glands M 20, cable max ø 12 mm
- Mounting:** 6 or 8 mounting holes, ø 5 mm

Example of type description
KLP 61 MLED 220/211/7/830 - light fitting with LED source; 2x11W; colour temp. 3000K; supply voltage 220V-240V AC/DC.

DIMENSIONS [mm]



TECHNICAL DATA

- IP 55
- 220-240V AC/DC
- 20°C to +45°C
- LED

OPTIONS

- 110V-240V AC/DC
- 24V DC
- Battery Backup 3h System
- Emergency 24V DC



KZP 61 MLED



Type	Wattage	Light source	Weight
KZP 61-MLED220/211	2 x 11 W	LED	4,2 kg
KZP 61-MLED240/411	4 x 11 W	LED	6,3 kg

Coldroom Luminaire, surface, 2x11W/4x11W LED

Application
coldroom, refrigerated areas, freezing rooms

Approvals
according to the rules of relevant classification societies, additional IEC

Baseplate
stainless steel

Ambient temp.
-30°C to +45°C

Diffuser
polycarbonate, clear

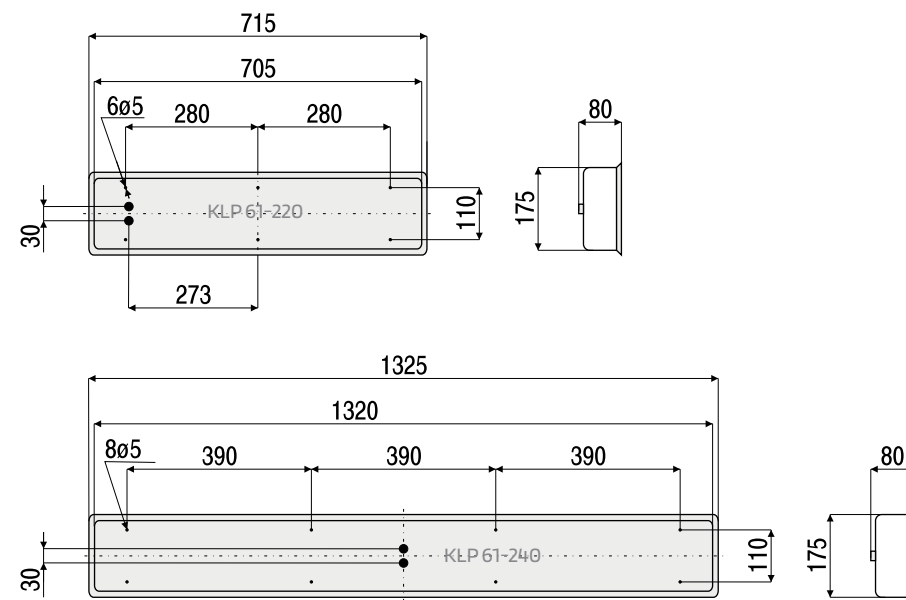
Gasket
silicone rubber

Electric
flexible wiring, heat resistant up to +105°C

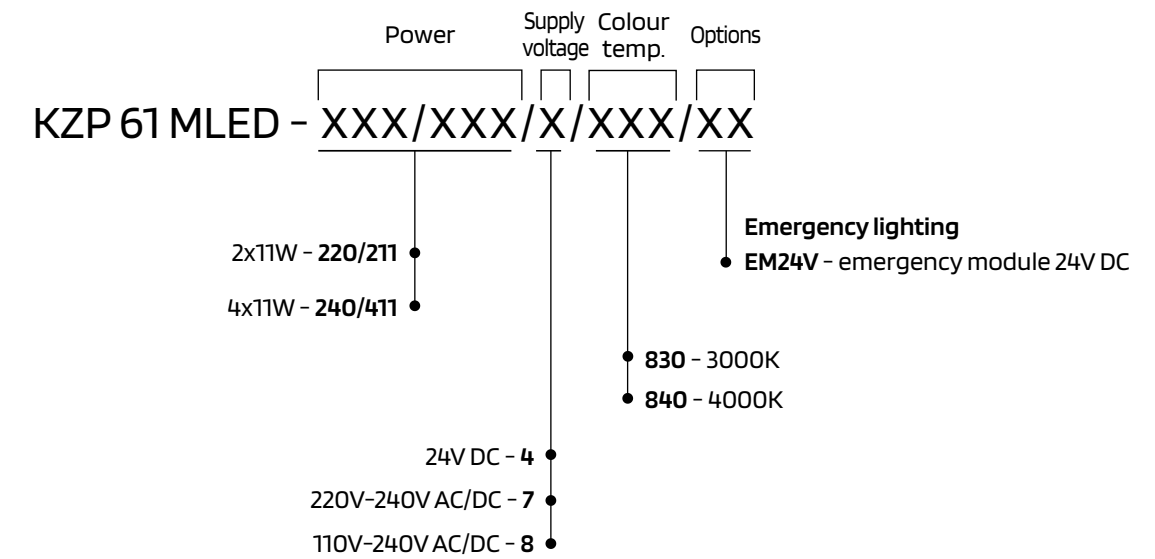
Cable entry
2 plastic cable glands M 20, cable max ø 13 mm

Mounting
6 or 8 mounting holes, ø 5 mm

DIMENSIONS [mm]



ORDER SPECIFICATION



Example of type description

KZP 61 MLED-220/211/7/830 - light fitting with LED source; 2x11W; colour temp. 3000K; supply voltage 220V-240V AC/DC.

TECHNICAL DATA

IP 55 220-240V
50-60Hz

-30°C +45°C

LED

OPTIONS

110V-240V
AC/DC 24V
DC

Emergency
24V DC



TZP 44 MLED



Type	Wattage	Light source	Lumens	Weight
TZP 44-MLED220/211/...	2 x 11 W	LED	2 x 1250 lm	3,9 kg
TZP 44-MLED240/411/...	4 x 11 W		4 x 1250 lm	4,2 kg

Coldroom Luminare, surface, 2x11W/4x11W LED

Application
coldroom, refrigerated areas,
freezing rooms

Approvals
according to the rules of relevant
classification societies, additional IEC

Housing
zinc coated steel or stainless steel,
powder coated white

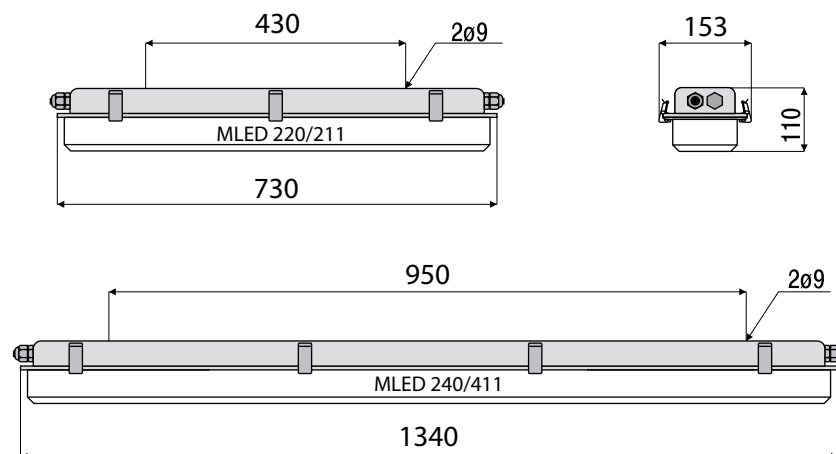
Diffuser
polycarbonate, clear

Electric
flexible wiring, heat resistant
up to +105°C

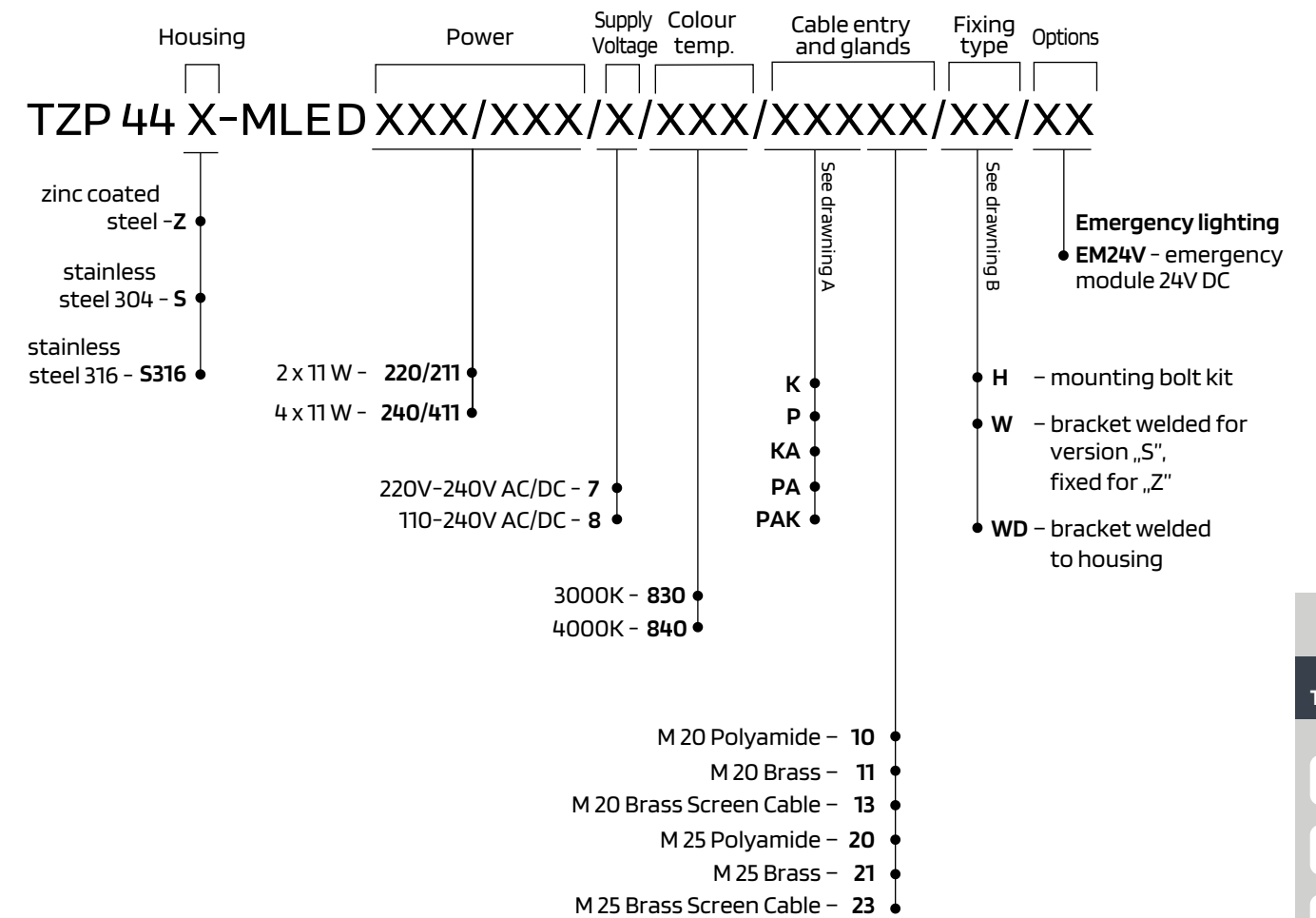
Cable entry
max 4 cable glands, see drawing A

Mounting
See drawing B

DIMENSIONS [mm]



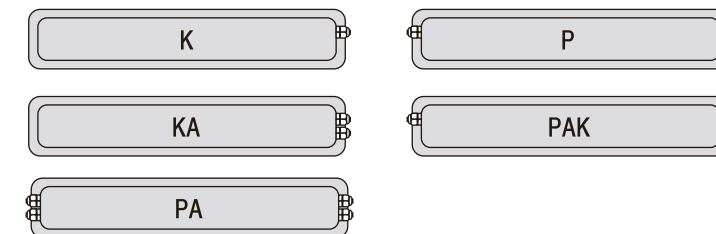
ORDER SPECIFICATION



Example of type description

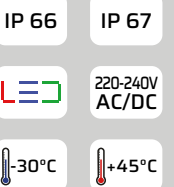
TZP 44S-MLED 220/211/7/830/P1 1/W - stainless steel 304 light fitting with LED panels (2x11W), power supply 220-240V AC/DC; light color temp.: 3000K; through wiring (2 brass glands M20); fixing - two „w“ brackets

A. Cable entry

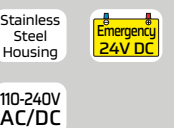


	M 20			M 25		
	Polyamide	Brass	Brass SC	Polyamide	Brass	Brass SC
Cable dia.	6-12 /mm/	8-14,5 /mm/	7-12,5 /mm/	11-17 /mm/	9-17 /mm/	9-17 /mm/
	10	11	13	20	21	23

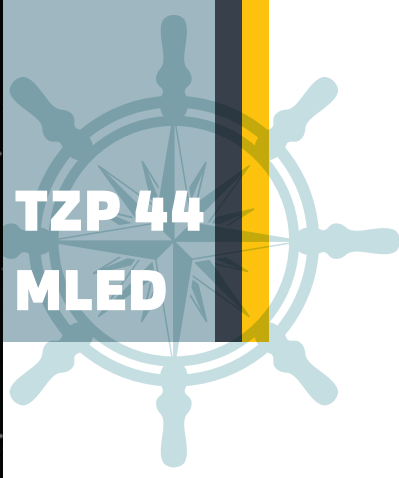
TECHNICAL DATA



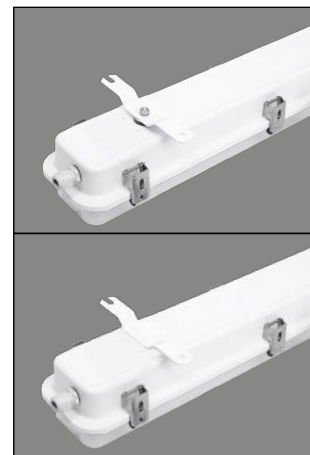
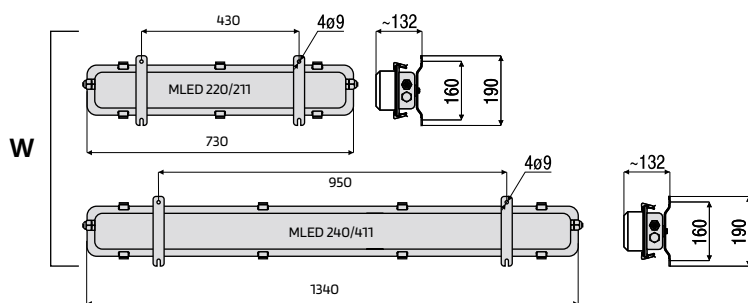
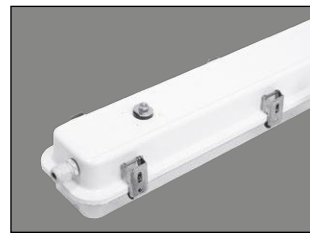
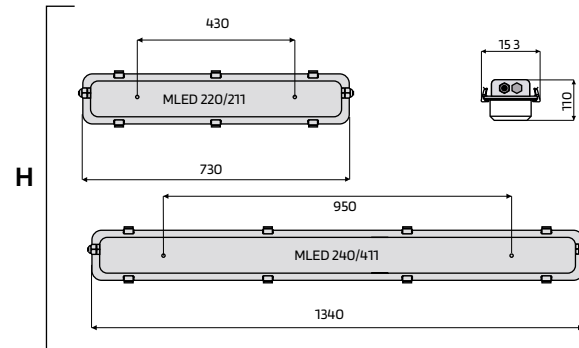
OPTIONS



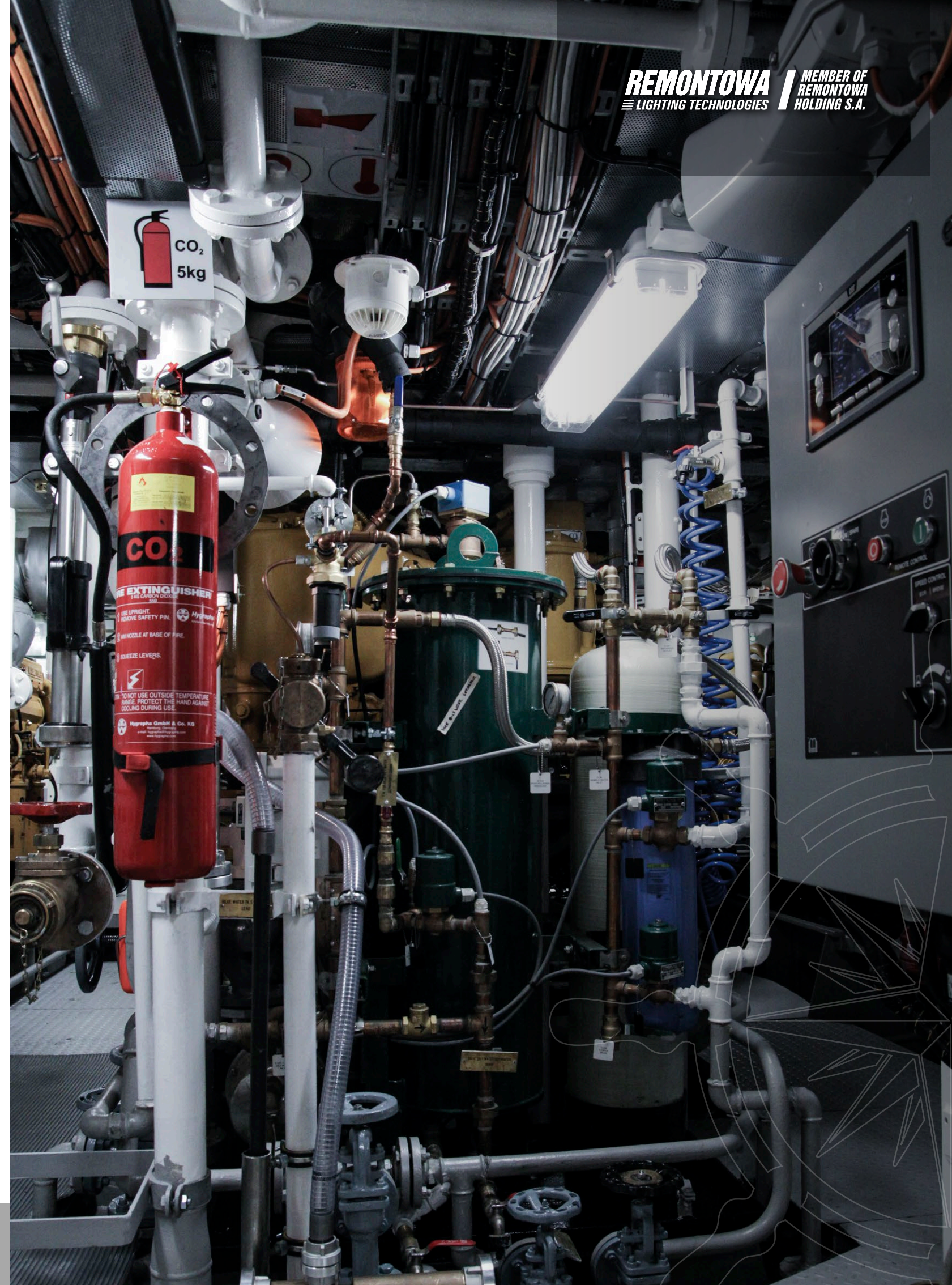
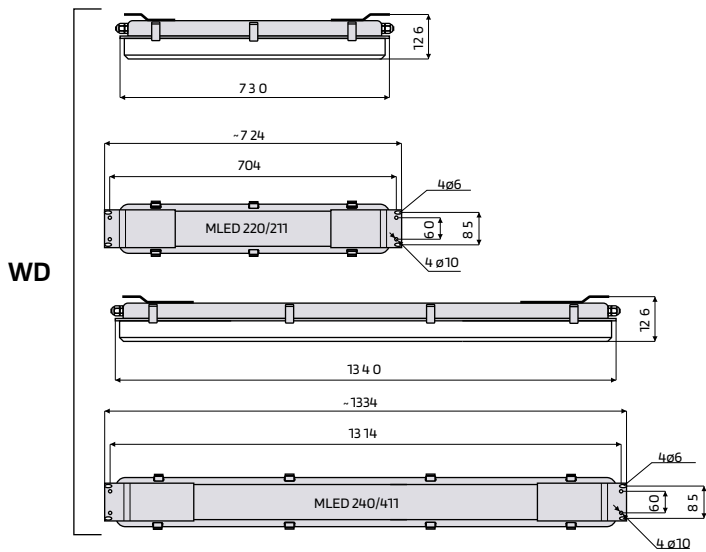
**TZP 44
MLED**



B. Fixing type



welded for „S“ version
fixed for „Z“ version



SLP 97 MLED



Type	Wattage	Light source	Lumens	Colour temp.	Weight
SLP 97-MLED250/14/7/840	14 W	LED	2050 lm	4000 K	1,8 kg
SLP 97-MLED250/14/7/830	14 W	LED	1880 lm	3000 K	1,8 kg

Outdoor Wall Light, Balcony, LED

Application
open decks

Approvals
according to the rules of relevant classification societies, additional IEC

Housing
stainless steel, powder coated white

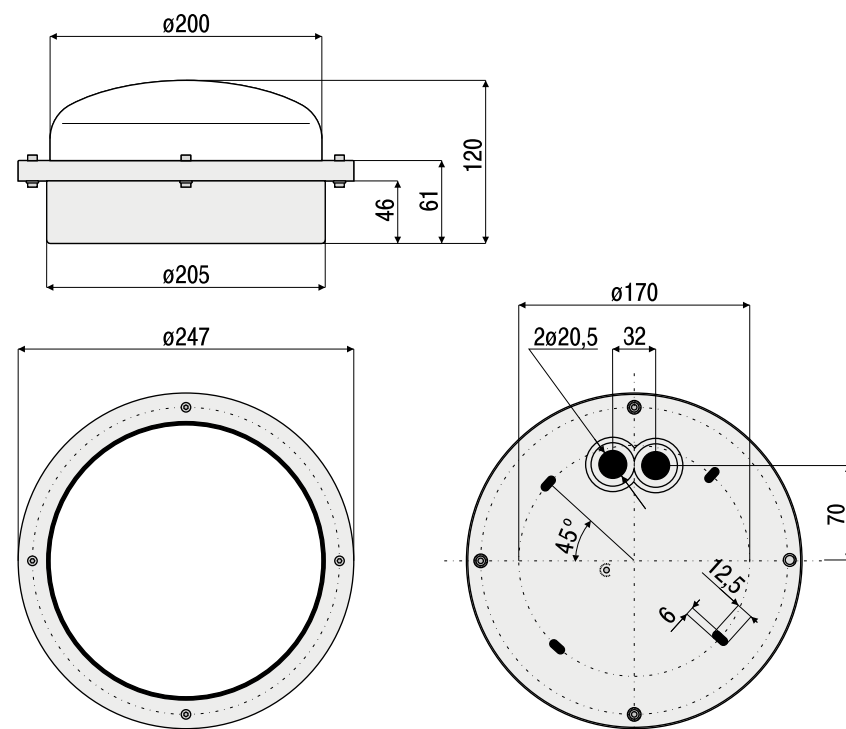
Diffuser
PMMA opal, UV stabilized

Electric
flexible wiring,
heat resistant up to +105°C

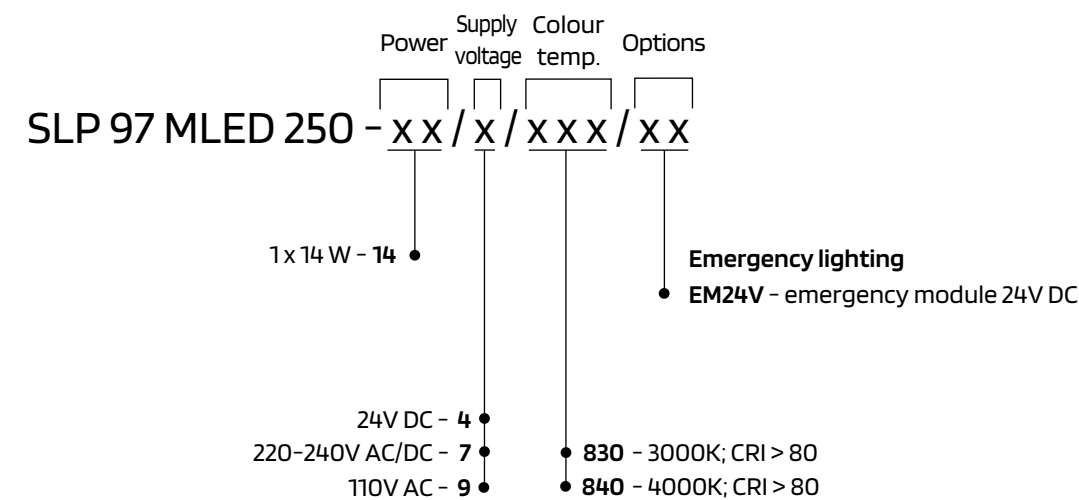
Cable entry
2 grommets IP 67
cable max ø 12 mm

Mounting
4 mounting holes ø 6 mm
directly on wall or ceiling

DIMENSIONS [mm]



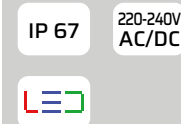
ORDER SPECIFICATION



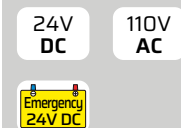
Example of type description

SLP 97 MLED 250/14/7/830 - light fitting type SLP 97 MLED with LED light source, power 14W, supply voltage 220-240V AC/DC; 3000K.

TECHNICAL DATA



OPTIONS



SLP 98 MLED



Type	Wattage	Light source	Lumens	Colour temp.	Weight
SLP 98-MLED250/14/7/840	14 W	LED	2050 lm	4000 K	1,8 kg
SLP 98-MLED250/14/7/830	14 W	LED	1880 lm	3000 K	1,8 kg

Outdoor Wall Light, Balcony, LED

Application
open decks

Approvals
according to the rules of relevant classification societies, additional IEC

Housing
stainless steel, powder coated white

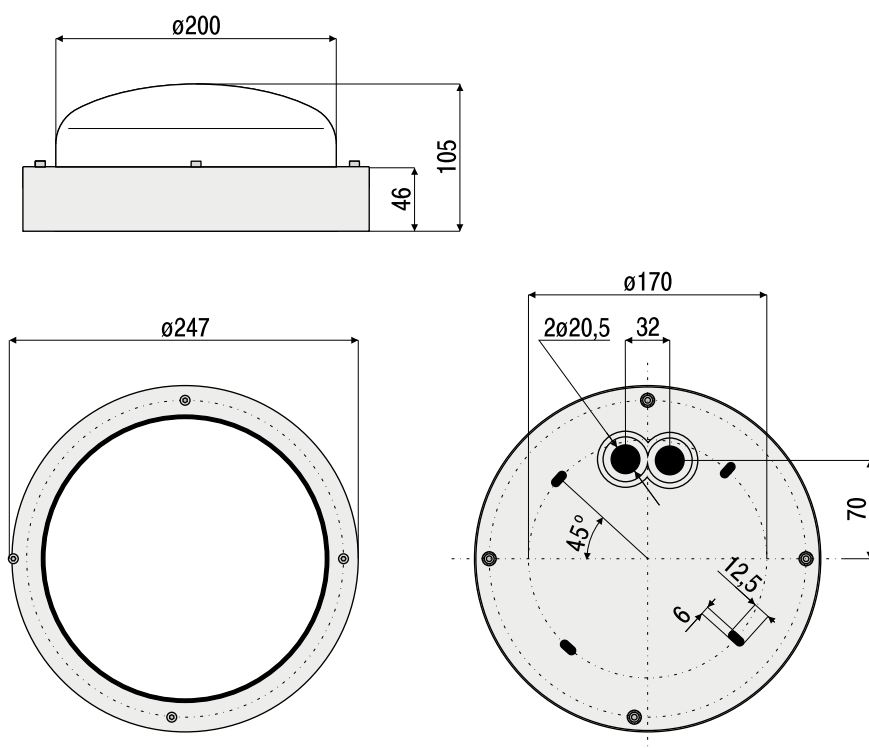
Diffuser
PMMA opal, UV stabilized

Electric
flexible wiring,
heat resistant up to +105°C

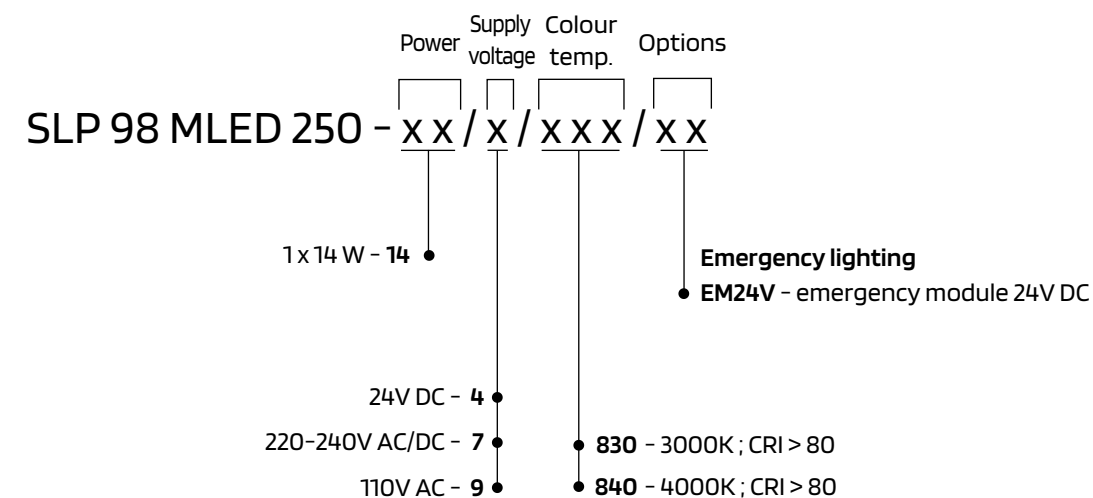
Cable entry
2 grommets IP 67
cable max \varnothing 12 mm

Mounting
4 mounting holes \varnothing 6 mm
directly on wall or ceiling

DIMENSIONS [mm]



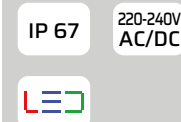
ORDER SPECIFICATION



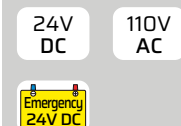
Example of type description

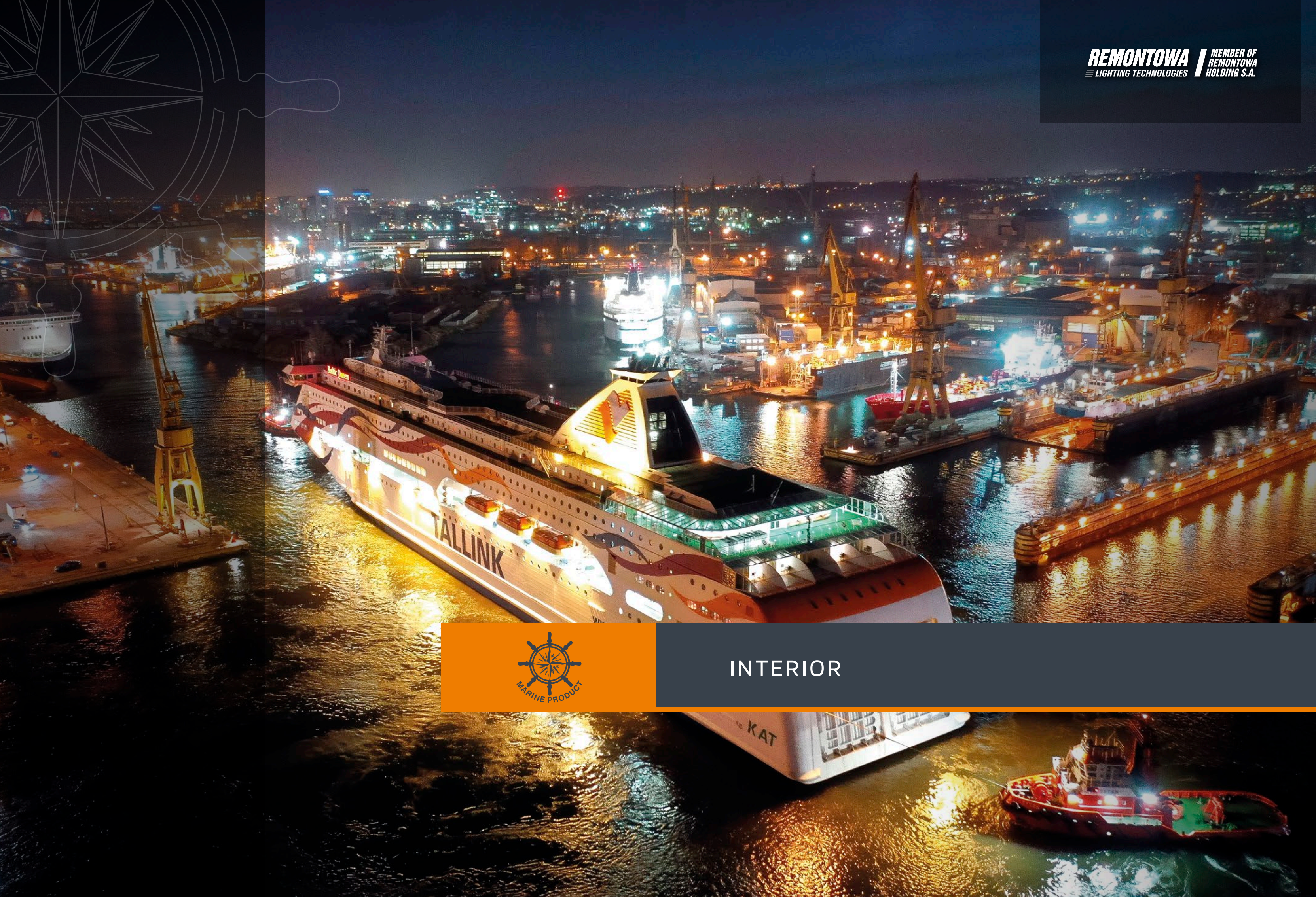
SLP 98 MLED 250/14/7/830 - light fitting type SLP 98 MLED with LED light source, power 14W, supply voltage 220-240V AC/DC; 3000K.

TECHNICAL DATA



OPTIONS





INTERIOR

KAT

DEP 28 MLED



Type	Wattage	Light Source	Lumens	Weight
DEP 28-MLED-220/211/...	2 x 11 W	LED	2 x 1250 lm	4,9 kg
DEP 28-MLED-240/411/...	4 x 11 W	LED	4 x 1250 lm	5,2 kg

Ceiling Luminaire, recessed, 2x11W / 4x11W LED

Application

accommodation areas, passage ways, cabins, etc.

Approvals

according to the rules of relevant classification societies, additional IEC

Housing

zinc coated steel, powder painted white

Diffuser

prismatic or opal diffuser

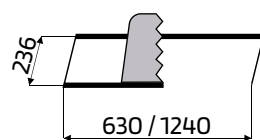
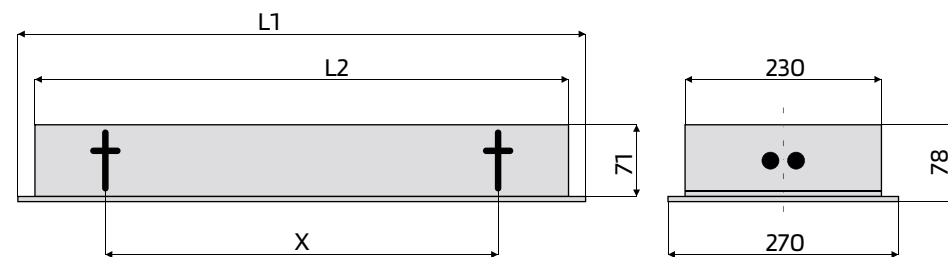
Cable entry

2 cable entries \varnothing 20 mm

Mounting

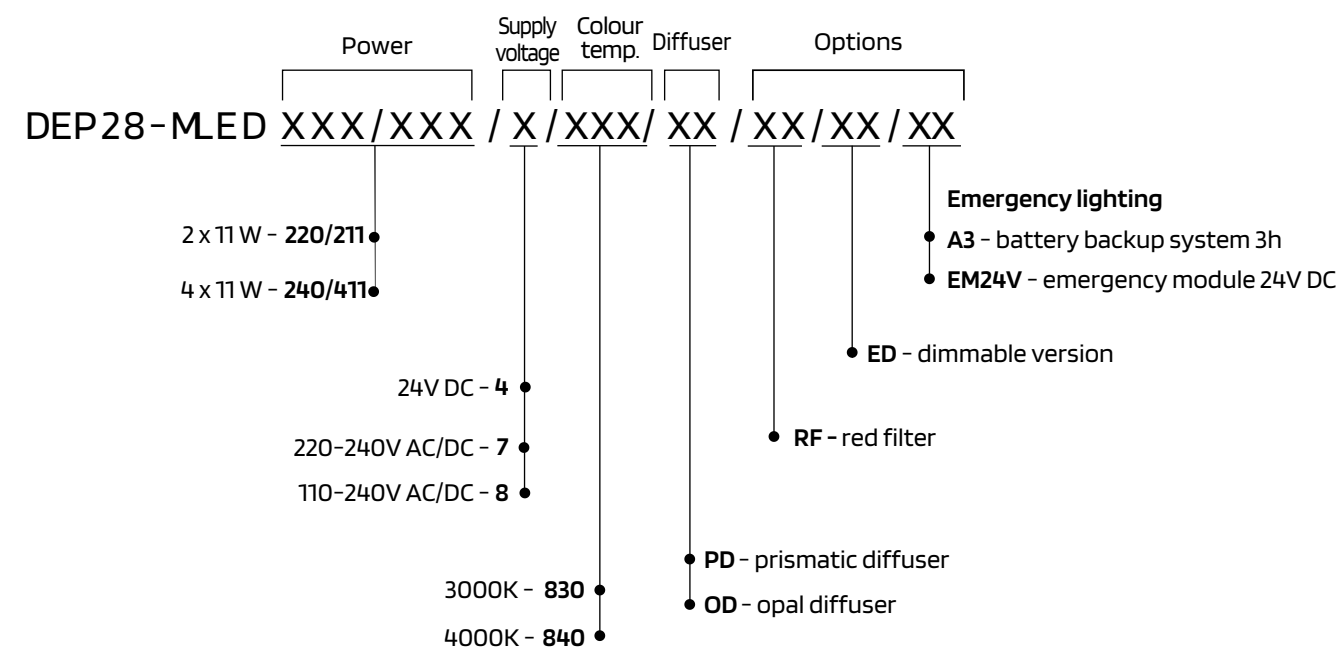
4 mounting brackets, cut out:
2 x 11 W: 630x236 mm
4 x 11 W: 1240x236 mm

DIMENSIONS [mm]



Type	L1	L2	X
DEP 28/2x11W	663	625	460
DEP 28/4x11W	1273	1235	1070

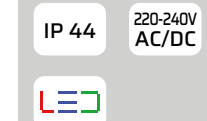
ORDER SPECIFICATION



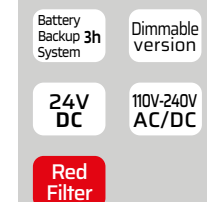
Example of type description

DEP 28-MLED 220/211/7/PD - light fitting with LED source 2x11W, supply voltage 220-240V AC/DC, prismatic diffuser

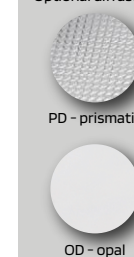
TECHNICAL DATA



OPTIONS



Optional diffusers:



**DEP
28**



Type	Light source power / lamp base	Light source	Weight
DEP 28 - 218	2 x 18 W / G 13	fluorescent lamp	4,9 kg
DEP 28 - 236	2 x 36 W / G 13	fluorescent lamp	6,9 kg

Ceiling Luminaire, recessed, 2x18W/2x36W

Application

passage ways, cabins, lounges, dining rooms, accomodation areas

Approvals

according to the rules of relevant classification societies, additional IEC

Protection class

IP 44 in conjunction with ceiling

Diffuser

prismatic or opal diffuser

Lamps (not included)

fluorescent lamp 18W / 36W

Electric

flexible wiring, heat resistant up to +105°C

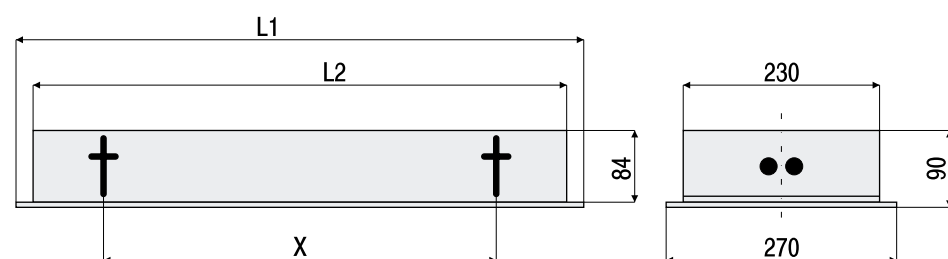
Cable entry

2 cable entries Ø 20 mm

Mounting

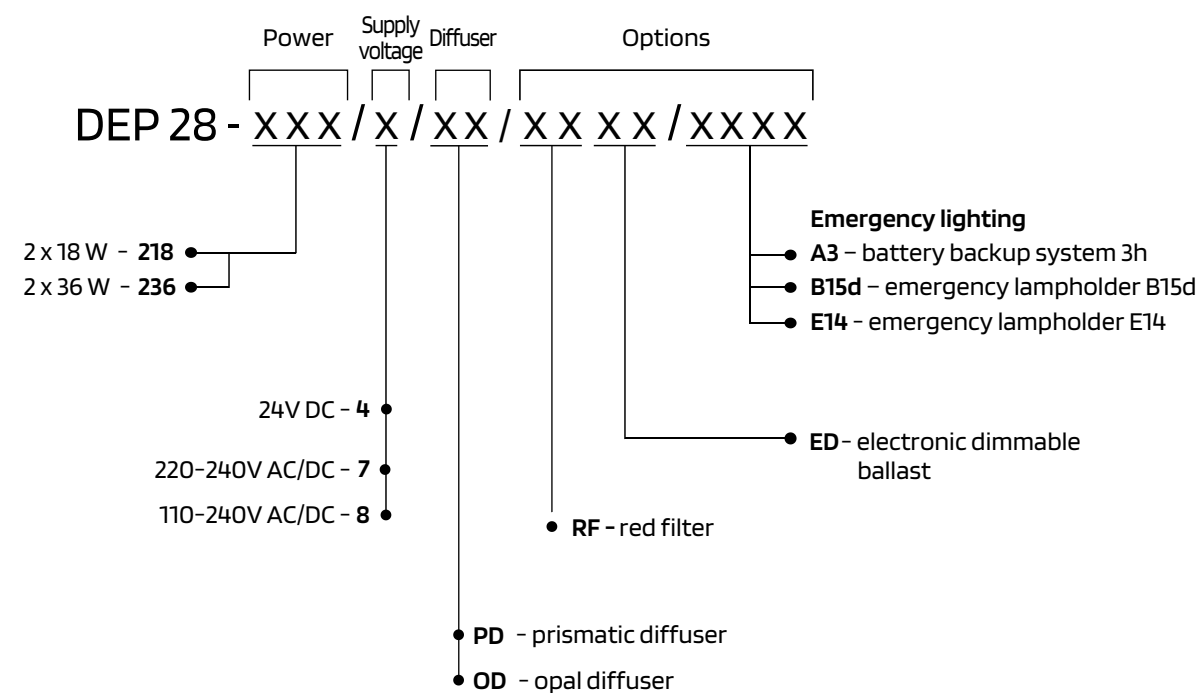
4 mounting brackets, cut out
18W: 630 x 236 mm
36W: 1240 x 236 mm

DIMENSIONS [mm]



Type	L1	L2	X
DEP 28/2x18W	663	625	460
DEP 28/2x36W	1275	1235	1070

ORDER SPECIFICATION



Example of type description

DEP 28 - 2187/OD light fitting for two fluorescent lamp 18W with socket G13; supply voltage 220-240V AC/DC

TECHNICAL DATA

IP 44	220-240V AC/DC
G 13	

OPTIONS

24V DC	Red Filter
Battery Backup System	220V-240V 50-60Hz 3h
Dimmable Electronic Ballast	220V-240V 50-60Hz
Emergency Lampholder B15d	Emergency Lampholder E14



DEP 19 MLED



Type	Wattage	Light Source	Lumens	Weight
DEP 19-MLED220/211/...	2 x 11 W	LED	2 x 1250 lm	3,9 kg
DEP 19-MLED240/411/...	4 x 11 W	LED	4 x 1250 lm	4,2 kg

Ceiling recessed luminaire, 2x11W / 4x11W LED

Application
accommodation areas, passage ways, cabins, etc.

Approvals
according to the rules of relevant classification societies, additional IEC

Housing
zinc coated steel, powder painted white

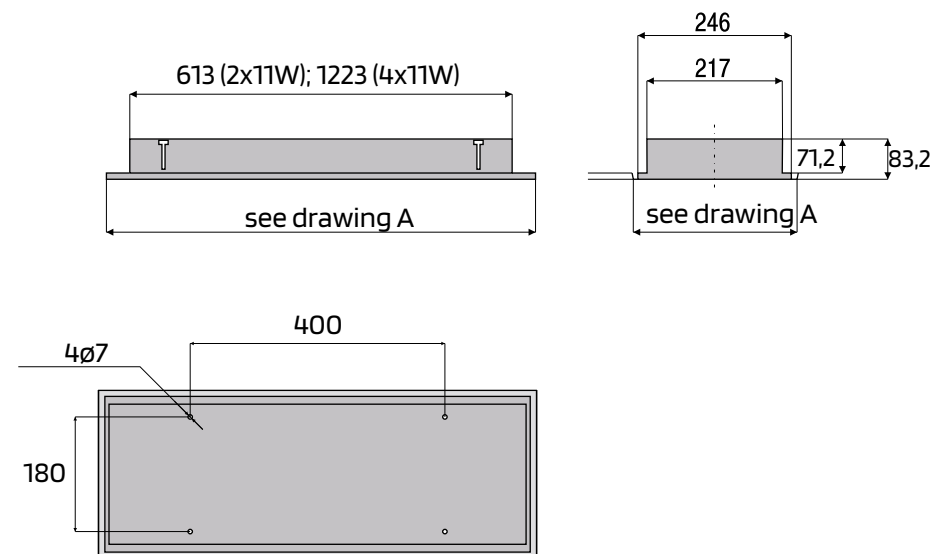
Diffuser
opal or prismatic diffuser

Cable entry
2 inlet, cable max Ø 20 mm

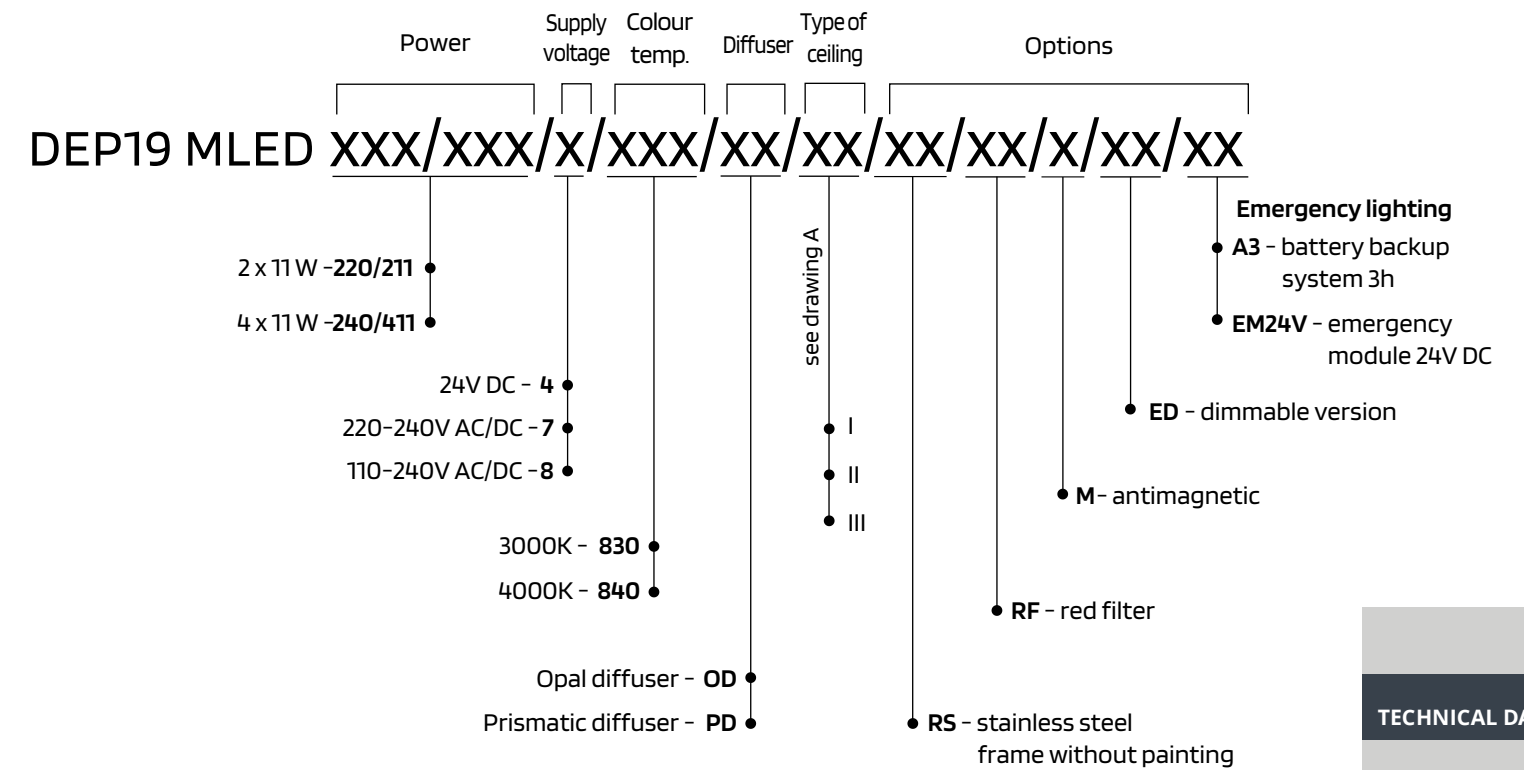
Mounting
4 mounting holes Ø 7mm
or special bracket ordered separately

Type of ceiling
I strip ceiling - produced by FAMOS
II panel ceiling - produced by FAMOS, LUBMOR
III tile ceiling - produced by FAMOS, LUBMOR

DIMENSIONS [mm]



ORDER SPECIFICATION

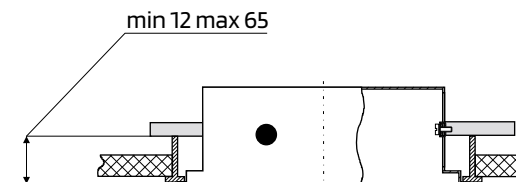


Example of type description

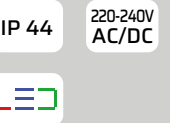
DEP 19 MLED 220/211/7/830/PD/I/A3 - light fitting with LED source 2x11W; supply voltage 220-240V AC/DC; colour temperature 3000K; prismatic diffuser; type of ceiling - I; emergency battery backup system 3h

Additional equipment

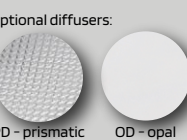
31-319-9001 Special bracket type C /ordered separately/



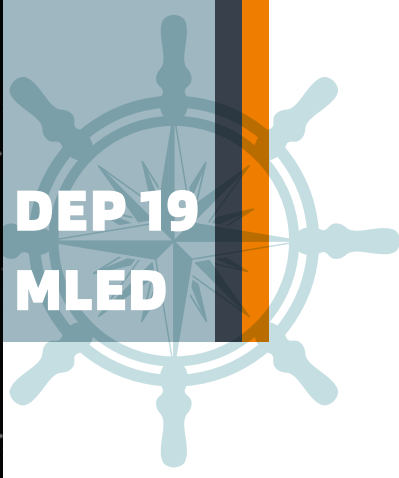
TECHNICAL DATA



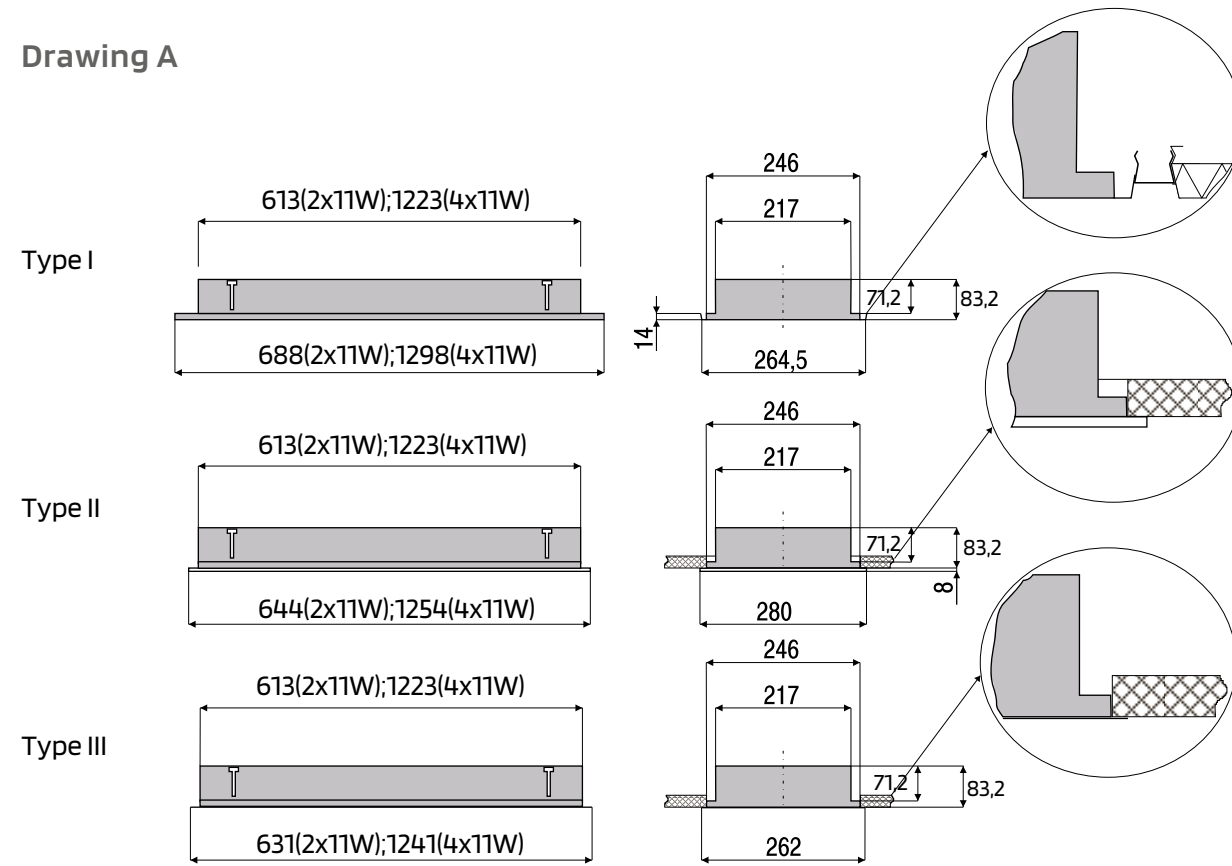
OPTIONS



DEP 19
MLED



Drawing A





Type	Light source power / lamp base	Light source	Weight
DEP 19 - 218	2 x 18 W / G 13	fluorescent lamp	4,2 kg
DEP 19 - 236	2 x 36 W / G 13	fluorescent lamp	5,2 kg

Ceiling Luminaire, recessed, 2x18W/2x36W

Application

accommodation areas, passage ways, cabins, etc.

Approvals

according to the rules of relevant classification societies, additional IEC

Housing

zinc coated steel, powder painted white

Diffuser

opal or prismatic diffuser

Lamps (not included)

fluorescent lamp 18W / 36W

Electric

flexible wiring,
heat resistant up to +105°C

Cable entry

2 plastic inlets, cable max \varnothing 11 mm

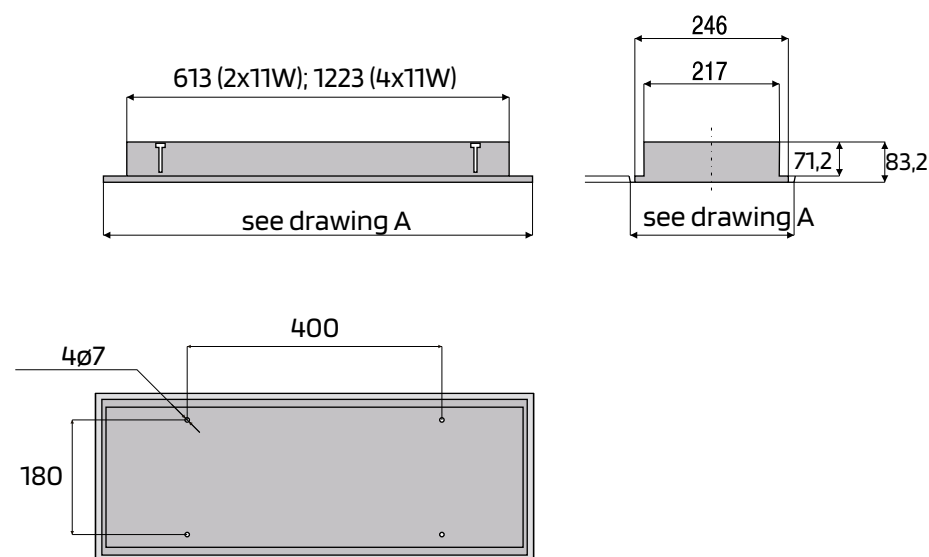
Type of ceiling

I strip ceiling - produced by FAMOS
II panel ceiling - produced by FAMOS, LUBMOR
III tile ceiling - produced by FAMOS, LUBMOR

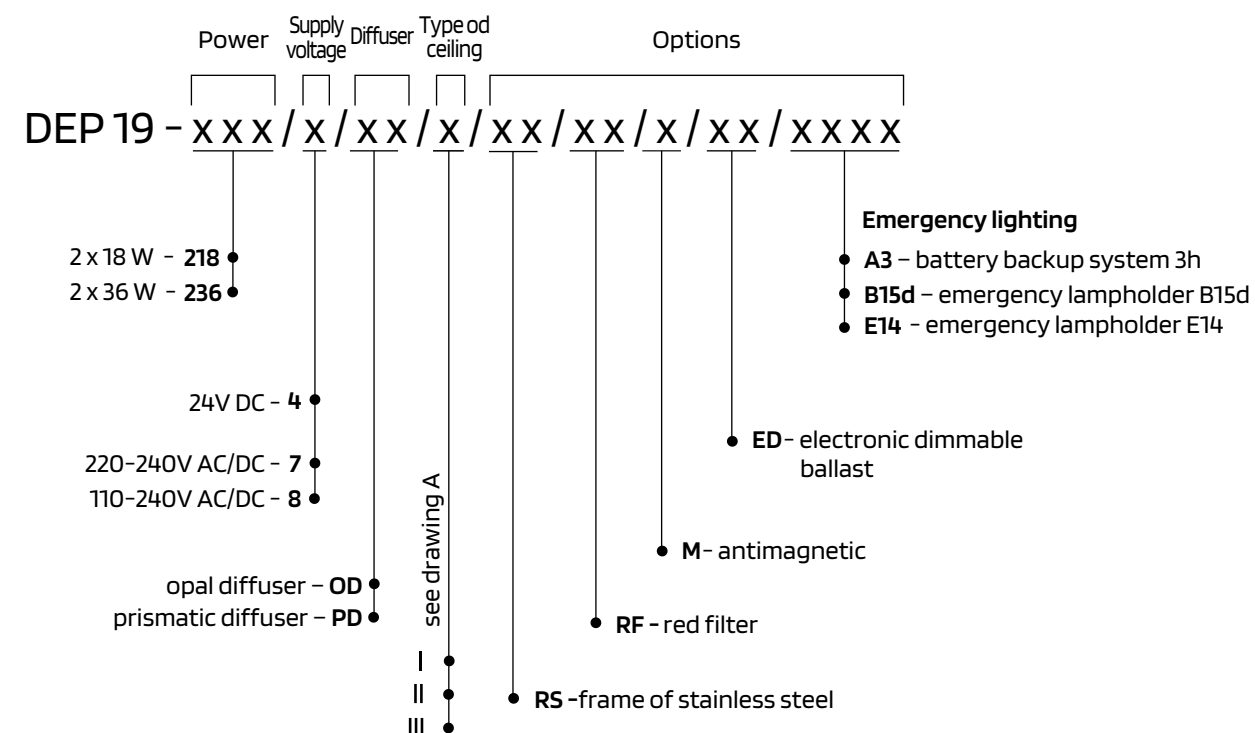
Mounting

4 mounting holes or special bracket ordered separately

DIMENSIONS [mm]



ORDER SPECIFICATION

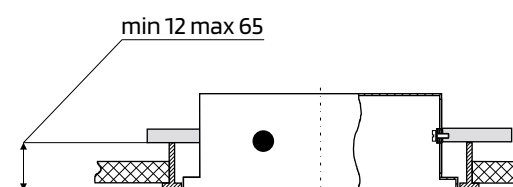


Example of type description

DEP 19 - 2180/PC/ light fitting for two fluorescent lamp 18W with socket G13; supply voltage 230V/50Hz; diffuser - PC opal; type of ceiling - I strip ceiling (produced by FAMOS), mounting - 4 mounting holes (type A)

Additional equipment

31-319-9001 Special bracket type C /ordered separately/



TECHNICAL DATA

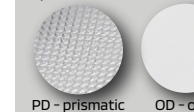
IP 44	220-240V AC/DC
G 13	

OPTIONS

24V DC	Anti-magnetic
Battery Backup System	220V-240V 50-60Hz 3h
Dimmable Electronic Ballast	220V-240V 50-60Hz
Emergency Lampholder B15d	Emergency Lampholder E14

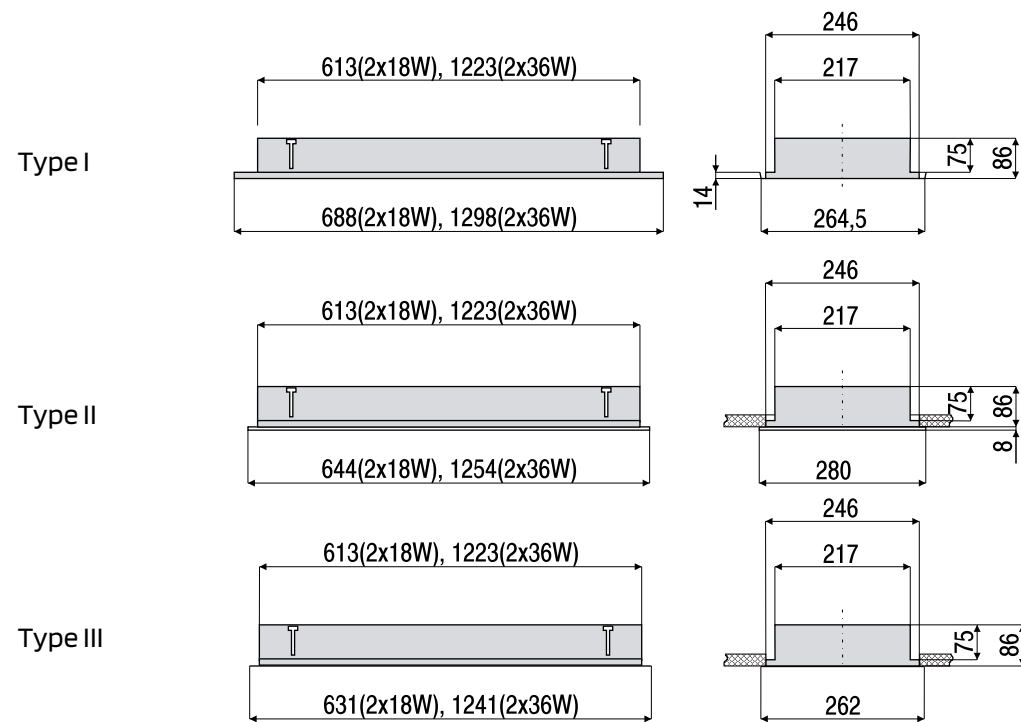
Red Filter

Optional diffusers:





Drawing A



DEP 95 MLED



Type	Wattage	Light Source	Lumens	Weight
DEP 95-MLED220/211/...	2 x 11 W	LED	2 x 1250 lm	4,9 kg
DEP 95-MLED240/411/...	4 x 11 W	LED	4 x 1250 lm	5,2 kg

Ceiling Luminaire, recessed, 2x11W / 4x11W LED

Application

for installation in Dampa ceilings M300 passage ways, cabins, lounges, dining rooms, accomodation areas

Diffuser

opal or prismatic

Approvals

according to the rules of relevant classification societies, additional IEC

Cable entry

2 or 4 cable inlets cable Ø max 11 mm

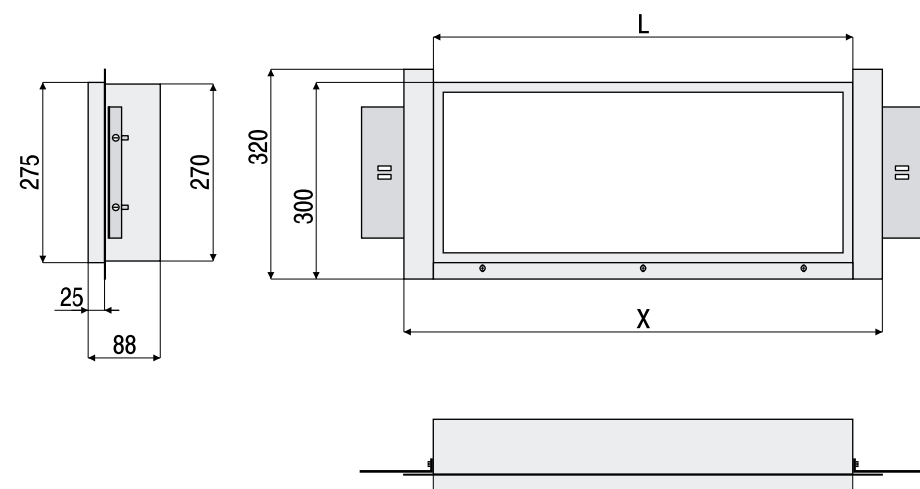
Housing

zinc coated steel, powder painted white

Mounting

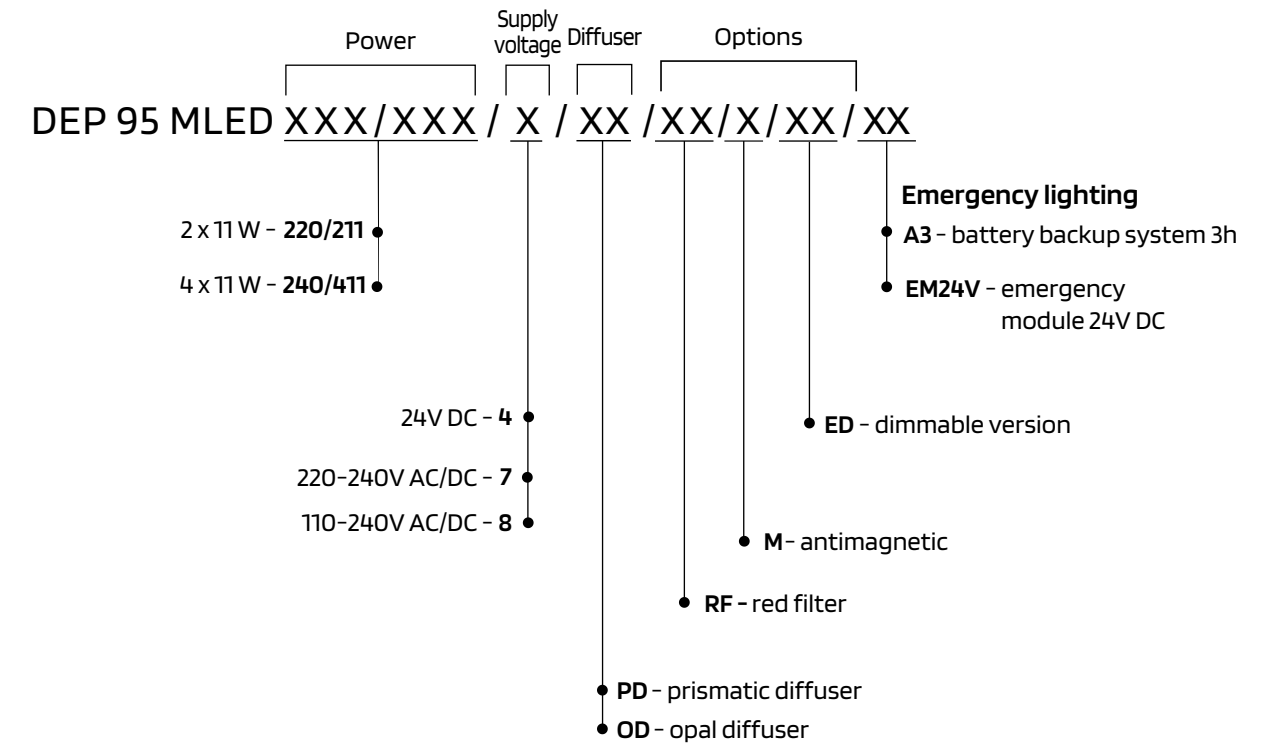
2 mounting brackets

DIMENSIONS [mm]



Type	L	X
DEP 95-MLED220/211/...	640	730
DEP 95-MLED240/411/...	1250	1340

ORDER SPECIFICATION



Example of type description

DEP 95-MLED 220/211/7/PD - light fitting with LED source 2x11W, supply voltage 220-240V AC/DC, prismatic diffuser

TECHNICAL DATA

IP 44 220-240V AC/DC



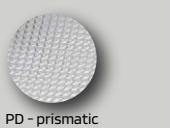
OPTIONS

Battery Backup 3h System Dimmable version

110-240V AC/DC 24V DC

Emergency 24V DC Red Filter

Optional diffusers:



**DEP
95**



Type	Light source power / lamp base	Light source	Weight
DEP 95 - 218	2 x 18 W / G 13	fluorescent lamp	4,9 kg
DEP 95 - 236	2 x 36 W / G 13	fluorescent lamp	8,1 kg

Ceiling Luminaire, recessed, 2x18W/2x36W

Application

for installation in Dampa ceilings M300 passage ways, cabins, lounges, dining rooms, accomodation areas

Approvals

according to the rules of relevant classification societies, additional IEC

Housing

zinc coated steel, powder painted white

Diffuser

opal or prismatic diffuser

Lamps (not included)

fluorescent lamp 18W / 36W

Electric

flexible wiring,
heat resistant up to +105°C

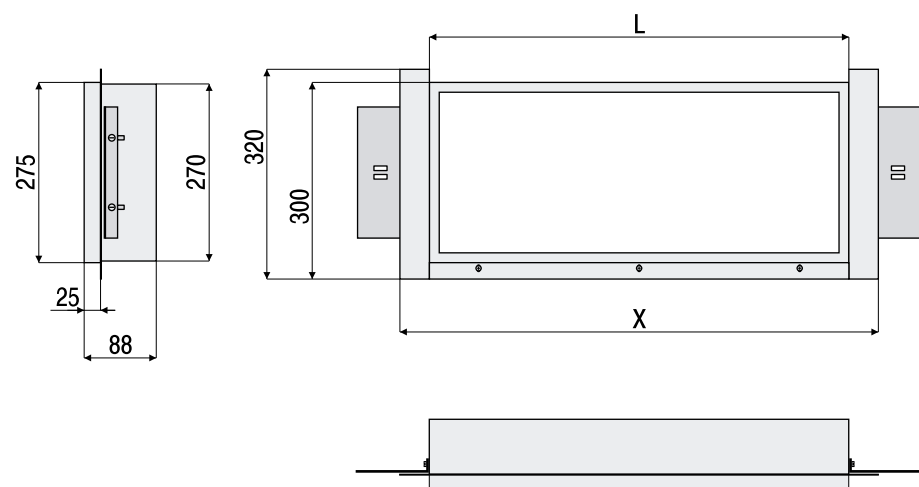
Cable entry

2 or 4 cable inlets cable Ø max 11 mm

Mounting

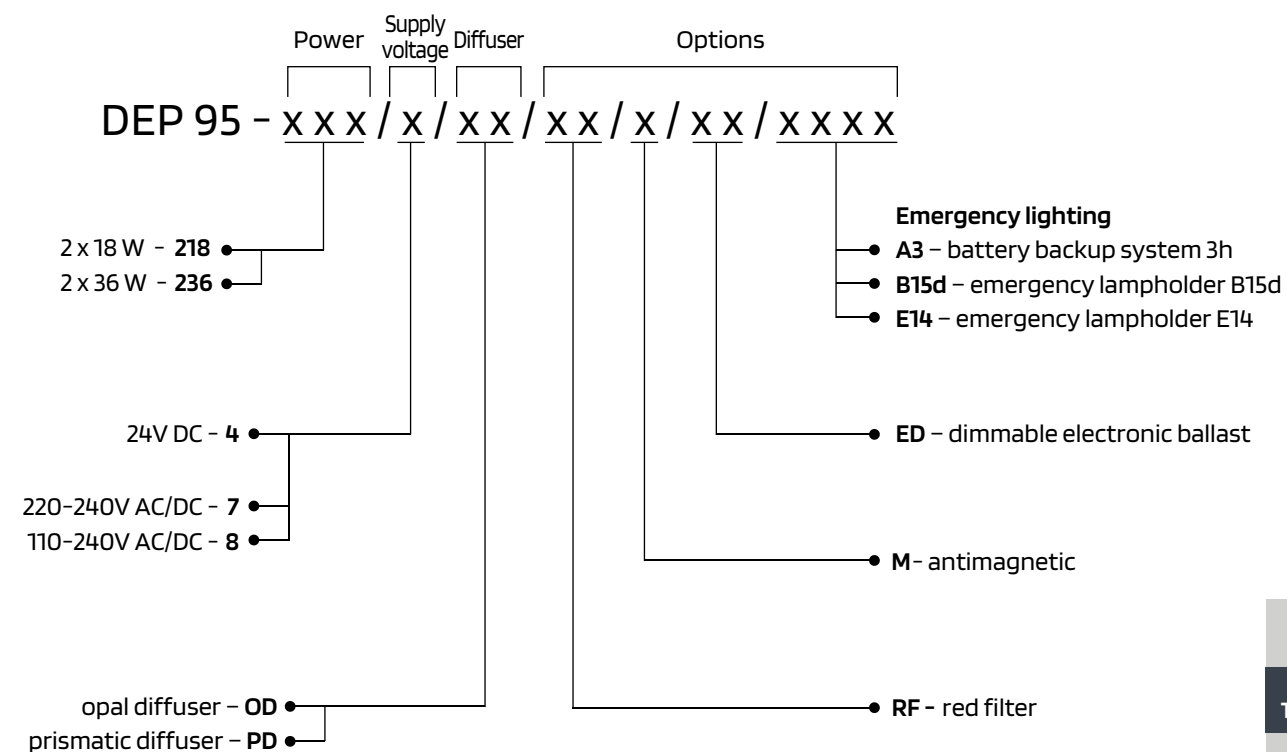
2 mounting brackets

DIMENSIONS [mm]



Type	L	X
DEP 95/2x18W	640	730
DEP 95/2x36W	1250	1340

ORDER SPECIFICATION



Example of type description

DEP 95-2187/OD - light fitting for two fluorescent lamp 18W with socket G13; supply voltage 220-240V AC/DC; opal diffuser

TECHNICAL DATA

IP 44	220-240V AC/DC
G 13	

OPTIONS

24V DC	Emergency Lampholder B15d
Battery Backup System	220V-240V 50-60Hz 3h
Dimmable Electronic Ballast	220V-240V 50-60Hz
Anti-magnetic	Red Filter

Optional diffusers:



KJP 40 MLED



Type	Wattage	Light Source	Colour temp.	Weight
KJP 40-MLED109/8/830/W	9W	LED	3000 K	0,8 kg

Berth Light, recessed, 4 W

Application
cabins

Approvals
according to the rules of relevant
classification societies, additional IEC

Housing
zinc coated steel, powder coated white

Diffuser
polycarbonate, opal

Electric
flexible wiring, heat resistant up to +105°C,
switch 2-pole

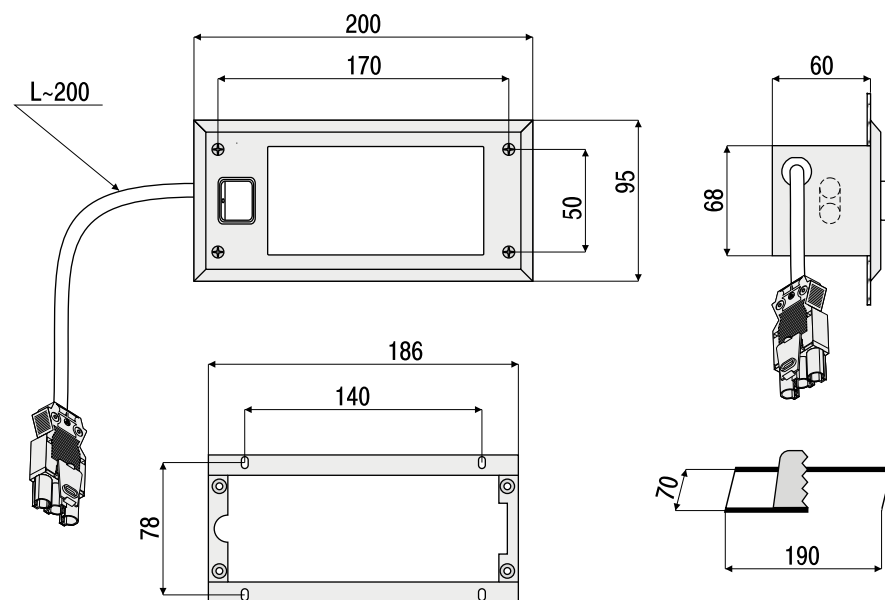
Connections
plug and sockets /Wieland GST/

Mounting
4 mounting holes \varnothing 4 mm, cut out 190 x 70 mm

TECHNICAL DATA

IP 20 110-240V
AC/DC
LED

DIMENSIONS [mm]



ELP 33 MLED



Type	Wattage	Light Source	Lumens	Weight
ELP 33 -MLED220/205/...	2 x 5 W	LED	1215 lm	3,5 kg
ELP 33 -MLED220/209/...	2 x 9 W	LED	2460 lm	3,5 kg
ELP 33 -MLED220/211/...	2 x 11 W	LED	2970 lm	3,5 kg
ELP 33 -MLED240/411/...	4 x 11 W	LED	5720 lm	5,3 kg

Cornice Luminaire, surface, 2x5W; 2x9W; 2X11W; 4X11W LED

Application
passage ways, cabins

Cover
polycarbonate, opal

Approvals
according to the rules of relevant classification societies, additional IEC

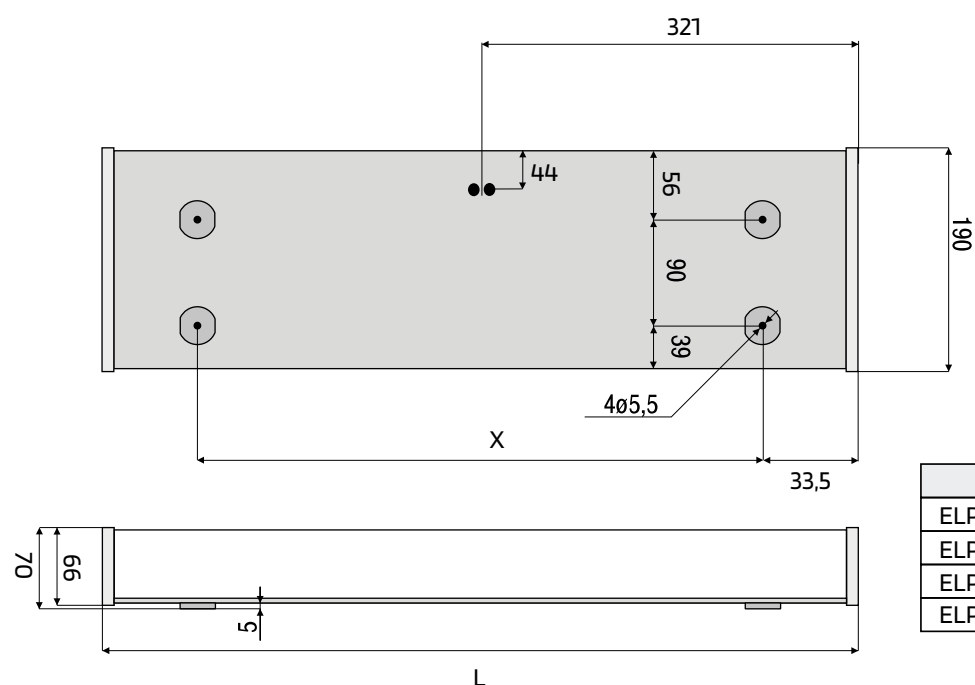
Electric
flexible wiring, heat resistant up to +105°C

Housing
zinc coated steel,
powder coated white

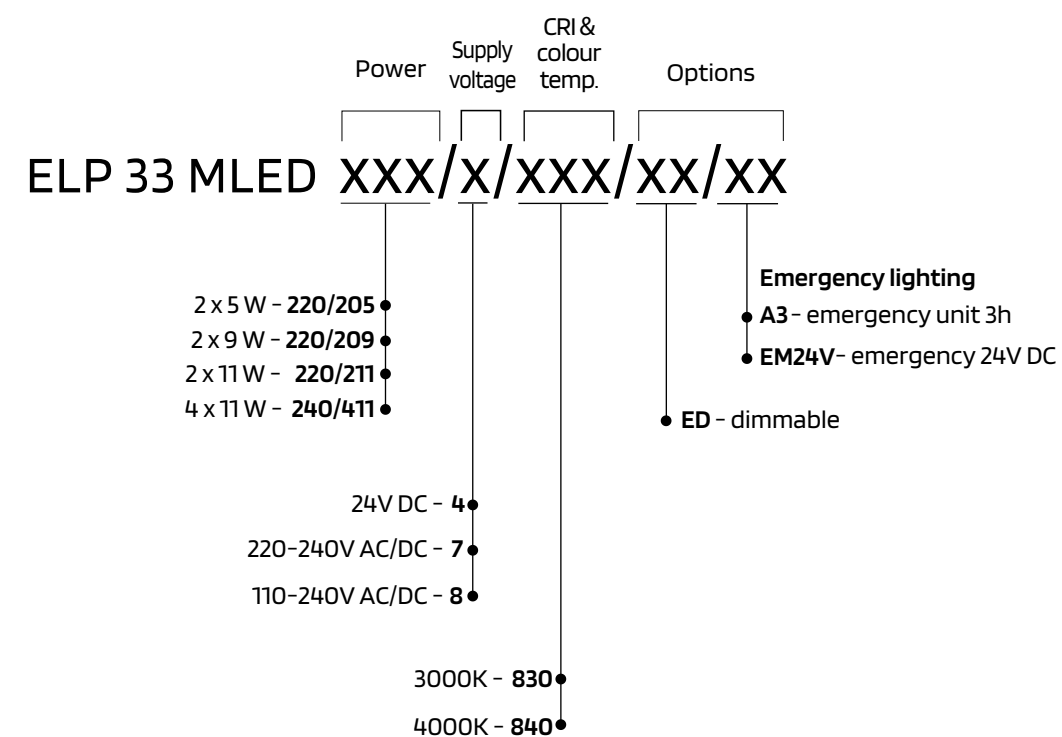
Cable entry
2 inlet, cable max Ø 11 mm

Mounting
4 mounting holes Ø 5,5 mm

DIMENSIONS [mm]



ORDER SPECIFICATION



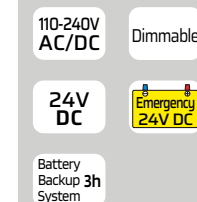
Example of type description

ELP 33 MLED220/205/7/840 light fitting with LED source, 2x5W, supply voltage 220V-240V AC/DC, CRI 80, colour temperature 4000K

TECHNICAL DATA



OPTIONS



**ELP
33**



Type	Light source power / lamp base	Light source	Weight
ELP 33 - 118	1 x 18 W / G 13	fluorescent lamps	3,0 kg
ELP 33 - 218	2 x 18 W / G 13		3,4 kg
ELP 33 - 136	1 x 36 W / G 13		4,2 kg
ELP 33 - 236	2 x 36 W / G 13		4,7 kg

Cornice Luminaire, surface, 1x18W/2x18W; 1x36W/2x36W

Application
passage ways, cabins

Approvals
according to the rules of relevant classification societies, additional IEC

Housing
zinc coated steel, powder coated white

Cover
polycarbonate, opal

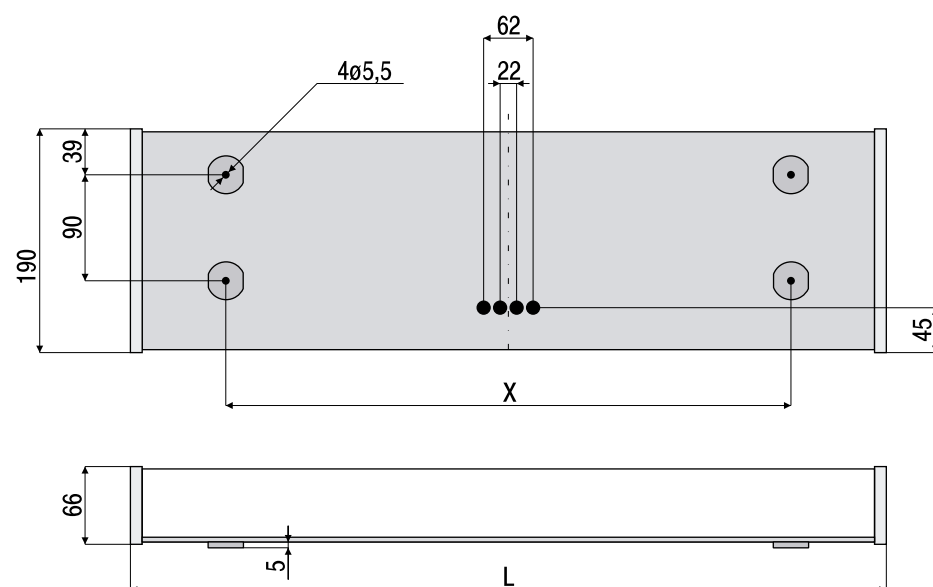
Lamps (not included)
fluorescent lamp 18W/36W

Electric
flexible wiring, heat resistant up to +105°C

Cable entry
4 inlet, cable max Ø 11 mm

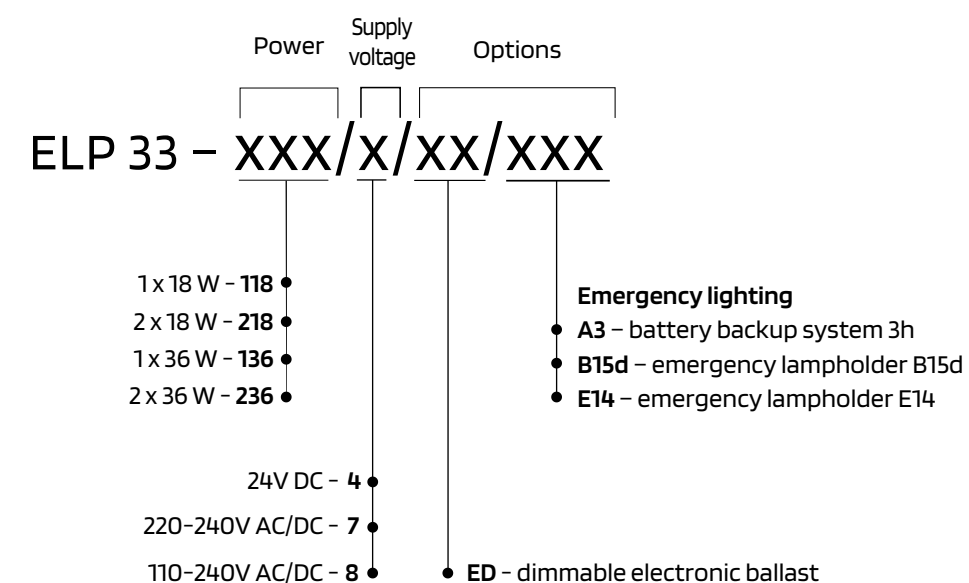
Mounting
4 mounting holes Ø 5,5 mm

DIMENSIONS [mm]



Type	L	X
ELP 33/2x18W	642	480
ELP 33/2x36W	1252	967

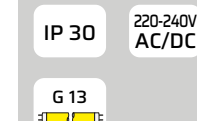
ORDER SPECIFICATION



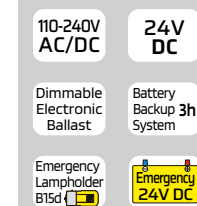
Example of type description

ELP 33 - 2187 light fitting for two fluorescent lamp 18W with socket G13; supply voltage 220-240V AC/DC

TECHNICAL DATA



OPTIONS



DAP 23 MLED



Type	Wattage	Light source	Lumens	Weight
DAP 23 -MLED220/205/...	2 x 5 W	LED	1215 lm	3,5 kg
DAP 23 -MLED220/209/...	2 x 9 W	LED	2460 lm	3,5 kg
DAP 23 -MLED220/211/...	2 x 11 W	LED	2970 lm	3,5 kg
DAP 23 -MLED240/411/...	4 x 11 W	LED	5720 lm	5,3 kg

Ceiling Luminaire, surface, 2x5W; 2x9W; 2X11W; 4X11W LED

Application
passage ways, cabins

Approvals
according to the rules of relevant classification societies, additional IEC

Housing
zinc coated steel, powder coated white

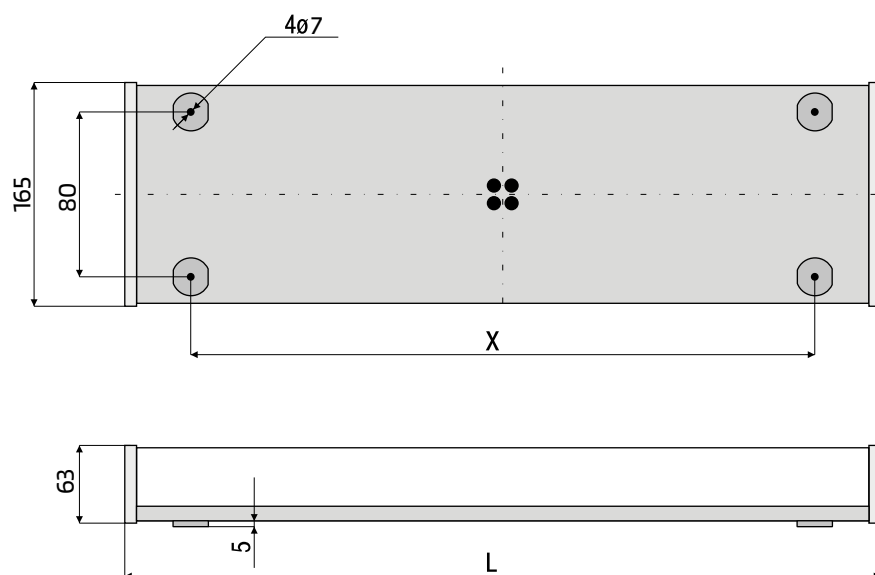
Cover
polycarbonate, opal

Electric
flexible wiring, heat resistant up to +105°C

Cable entry
4 inlet, cable max Ø 11 mm

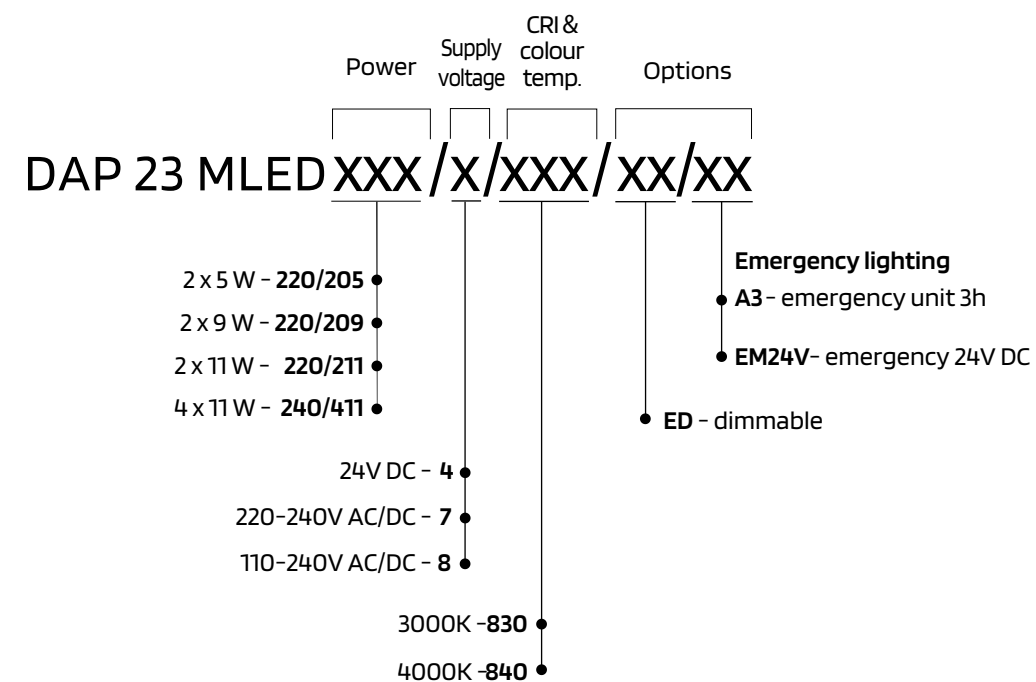
Mounting
4 mounting holes Ø 5,5 mm

DIMENSIONS [mm]



Type	L	X
DAP 23-MLED/2x5W	629	450
DAP 23-MLED/2x9W	629	450
DAP 23-MLED/2x11W	629	450
DAP 23-MLED/4x11W	1252	1059

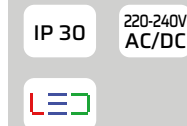
ORDER SPECIFICATION



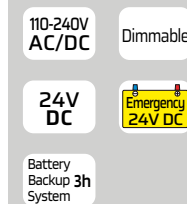
Example of type description

DAP 23 MLED220/205/7/840 light fitting with LED source, 2x5W, supply voltage 220V-240V AC/DC, CRI 80, colour temperature 4000K

TECHNICAL DATA



OPTIONS



DAP 23



Type	Light source power / lamp base	Light source	Weight
DAP 23 - 218	2 x 18 W / G 13	fluorescent lamps	3,5 kg
DAP 23 - 236	2 x 36 W / G 13		5,7 kg

Ceiling Luminaire, surface, 2x18W; 2x36W

Application
passage ways, cabins

Approvals
according to the rules of relevant classification societies, additional IEC

Housing
zinc coated steel, powder coated white

Cover
polycarbonate, opal

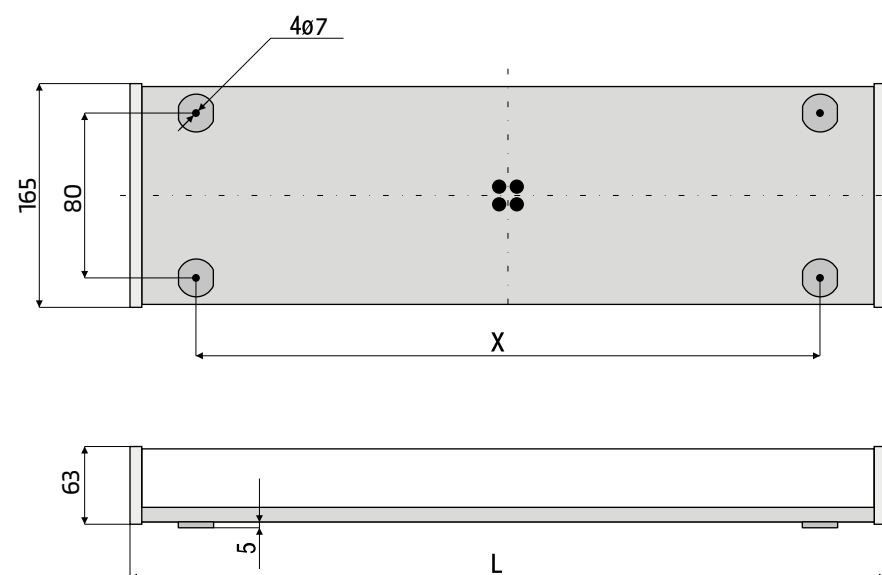
Lamps (not included)
fluorescent lamp 18W/36W

Electric
flexible wiring, heat resistant up to +105°C

Cable entry
4 inlet, cable max Ø 11 mm

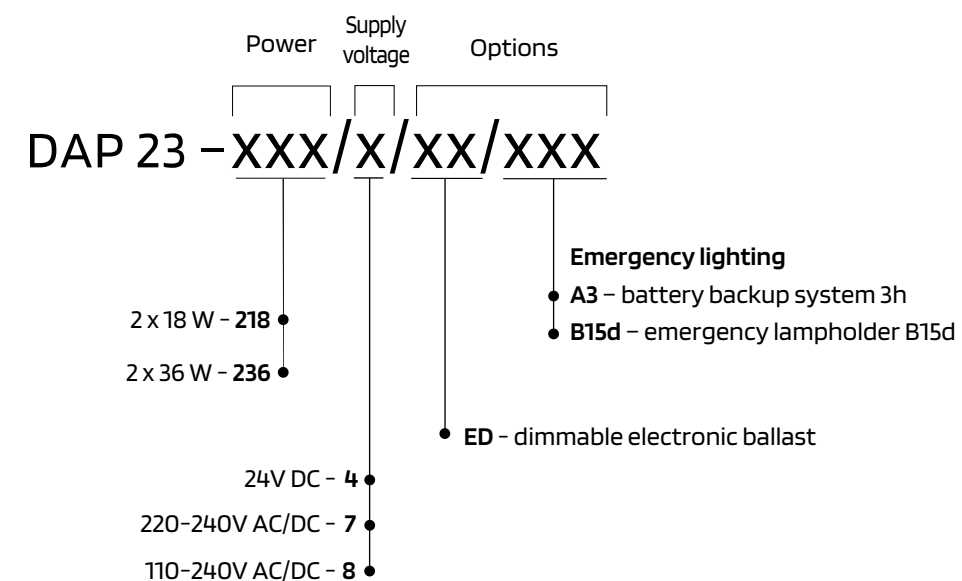
Mounting
4 mounting holes Ø 5,5 mm

DIMENSIONS [mm]



Type	L	X
DAP 23/2x18W	629	450
DAP 23/2x36W	1252	1059

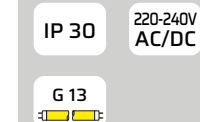
ORDER SPECIFICATION



Example of type description

DAP 23 - 2187 light fitting for two fluorescent lamp 18W with socket G13; supply voltage 220-240V AC/DC

TECHNICAL DATA



OPTIONS



KJP 27 MLED



*socket and switch are optional equipment.

Type	Wattage	Light Source	Lumens	Weight
KJP 27-MLED220/111/...	1 x 11W	LED	1250 lm	2,0 kg

Mirror luminaire, surface, 1x11W

Application
cabins, shower rooms, toilets, accomodation areas

Diffuser
PC, opal

Approvals
according to the rules of relevant classification societies, additional IEC

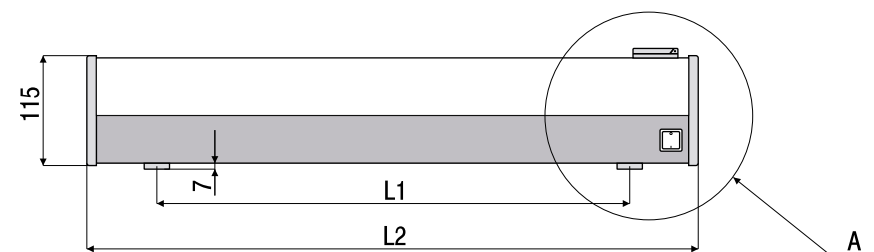
Electric
flexible wiring, heat resistant up to +105°C

Housing
zinc coated steel,
powder coated white

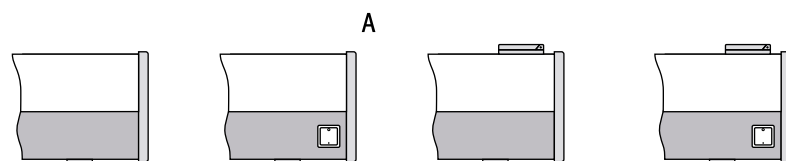
Cable entry
2 inlets, cable max Ø 11 mm

Mounting
2 mounting holes Ø 6 mm

DIMENSIONS [mm]



Type	L1	L2	L3
KJP 27-MLED/1x11W	495	640	170



ORDER SPECIFICATION

KJP 27-MLED / **Power** / **Supply voltage** / **Colour temp.** / **Options**

1x11W - 220/111

220-240V AC/DC* - 7

120V AC/DC* - 9

3000K - 830

4000K - 840

W - 2 pole on/off switch

Universal socket and isolating transformer
(compatible only with supply voltage 230V AC or 120V AC)
• G1 - 230V AC / max 8W
• G2 - 230V/120V AC / max 8W
• G3 - 120V AC / max 8W

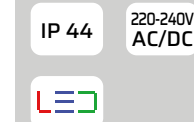


* supply voltage must be 230V AC or 120V AC when G1, G2, G3 is ordered

Example of type description

KJP 27-MLED/220/111/7/830/G1/W - light fitting with LED panel 1x11W; supply voltage 230V AC colour temperature 3000K; universal socket 230V AC; 2-pole switch

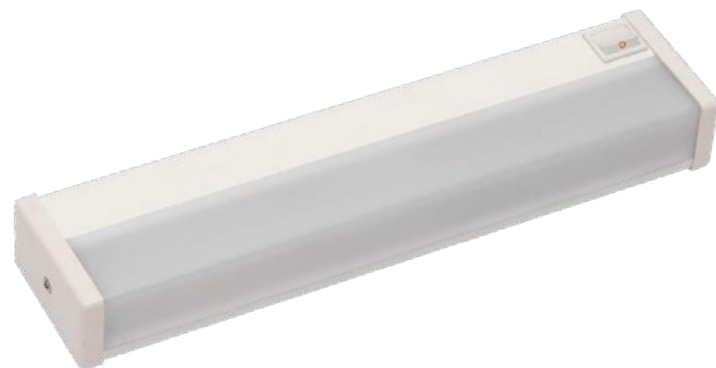
TECHNICAL DATA



OPTIONS



KJP 41 MLED



*switch is standard equipment

Type	Wattage	Light Source	Lumens	Weight
KJP 41-MLED/106	6 W	LED	960 lm	2,5 kg

Berth Light, surface, 1x6W LED

Application
cabins

Approvals
according to the rules
of relevant classification societies,
additional IEC

Housing
zinc coated steel,
powder coated white

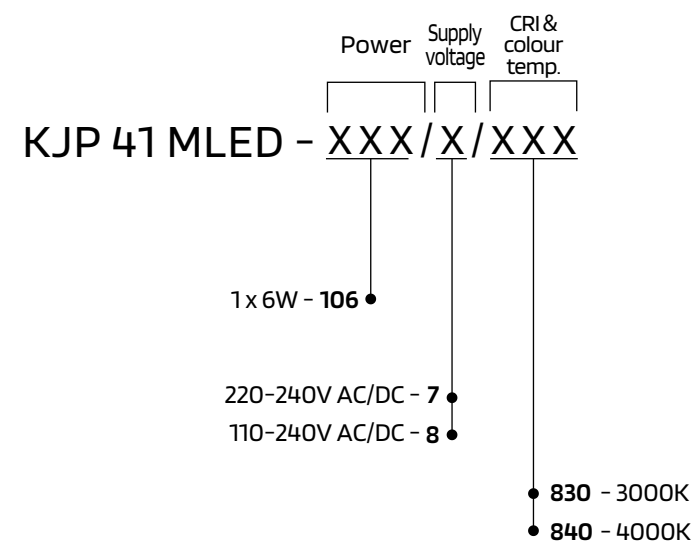
Diffuser
polycarbonate, opal

Electric
halogen free flexible wiring,
heat resistant up to +180°C,
2-pole switch

Cable entry
Plug and Socket (GST)

Mounting
2 mounting holes \varnothing 5,5 mm

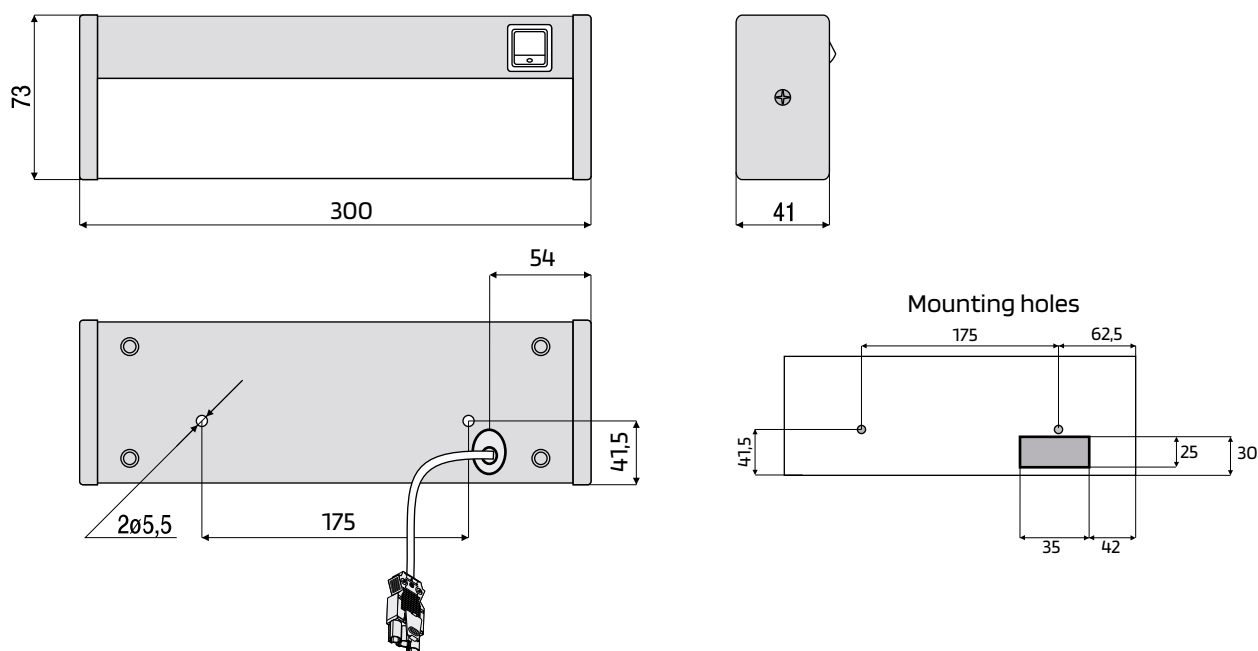
ORDER SPECIFICATION



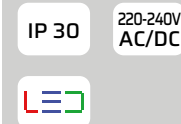
Example of type description

KJP 41-MLED/107/7/830 - light fitting with LED source 1x6W; supply voltage 220-240V AC/DC; colour temperature 3000 K.

DIMENSIONS [mm]



TECHNICAL DATA



OPTIONS



KJP 28 MLED



Type	Wattage	Light source	Weight
KJP 28 LED	1W (integrated converter)	LED	1,2 kg

Wall Light, 1x1W LED

Approvals
 according to the rules of relevant classification societies, additional IEC

Lamps
 power LED 1 W

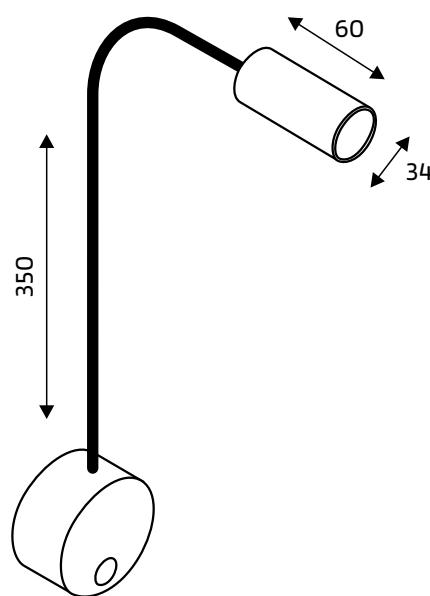
Finish
 with flexible arm length 28,5 cm

Electric
 230V, switch on/off included

Colour
 chrome plated

Mounting
 directly on wall, surface

DIMENSIONS [mm]



TECHNICAL DATA



Wall Light, 1x3,5W LED

Approvals
 according to the rules of relevant classification societies, additional IEC

Lamps
 power LED 3,5 W

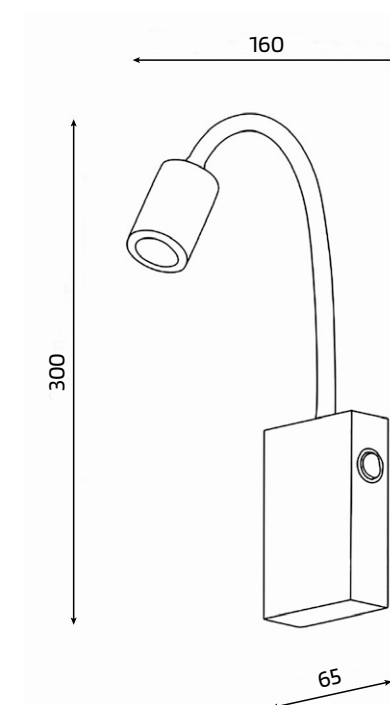
Finish
 with flexible arm

Electric
 220-240V, 50/60Hz on/off switch included, USB 5V 2A

Colour
 chrome plated

Mounting
 directly on wall, surface

DIMENSIONS [mm]

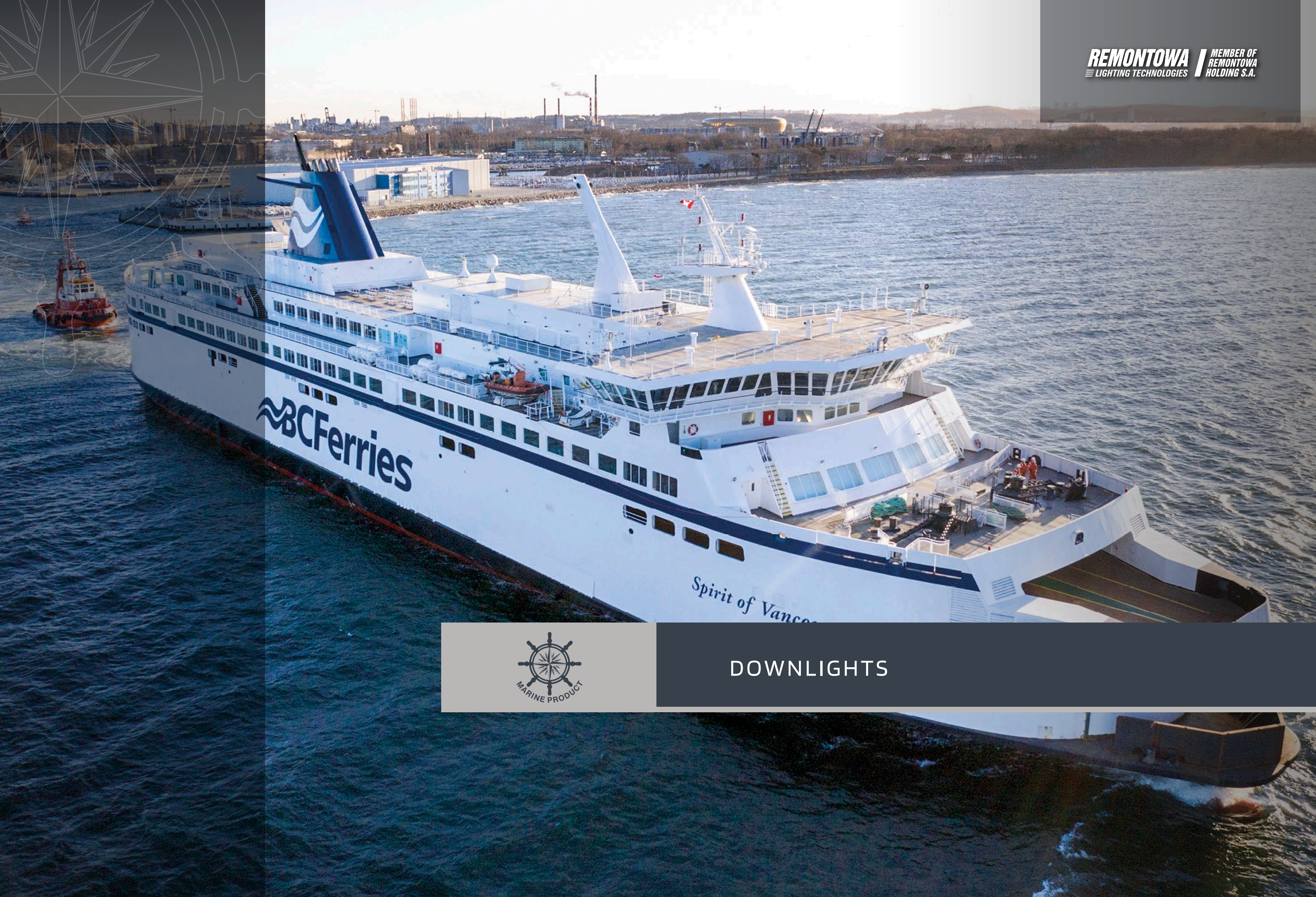


Type	Wattage	Light source	Weight
KJP 28 LED QUADRO	3,5 W (integrated converter)	LED	1,2 kg



TECHNICAL DATA





DOWNLIGHTS

DLP 38 MLED



* decor ring must be ordered separately

Type	Wattage	Light source	Lumens	Weight
DLP 38-MLED 170/107/...	7 W	LED	980 lm	1,3 kg
DLP 38-MLED 170/112/...	12 W	LED	1370 lm	1,3 kg

Downlight, 1x7W / 1x12W LED

Application

cabins, lounges, dining rooms, accomodation rooms etc.

Cover

diffuser made of PC opal with decorative ring is an integral part of luminaire but must be ordered separately

Approvals

according to the rules of relevant classification societies, additional IEC

Cable entry

3/5 pole plug and socket

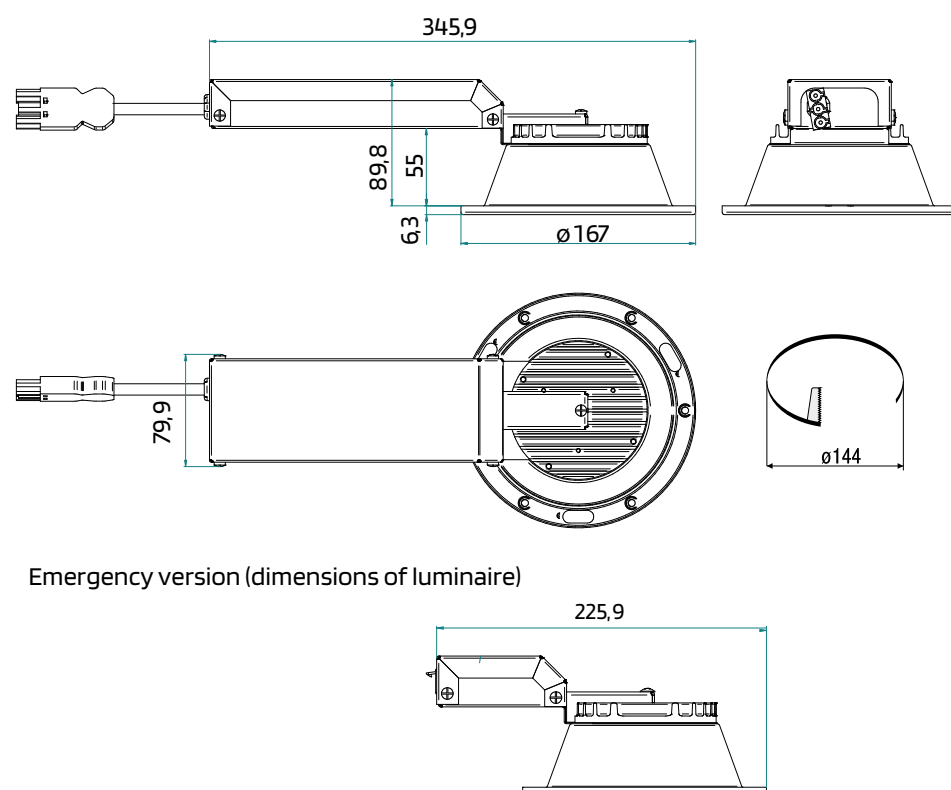
Housing

galvanized steel, powder coated white

Mounting

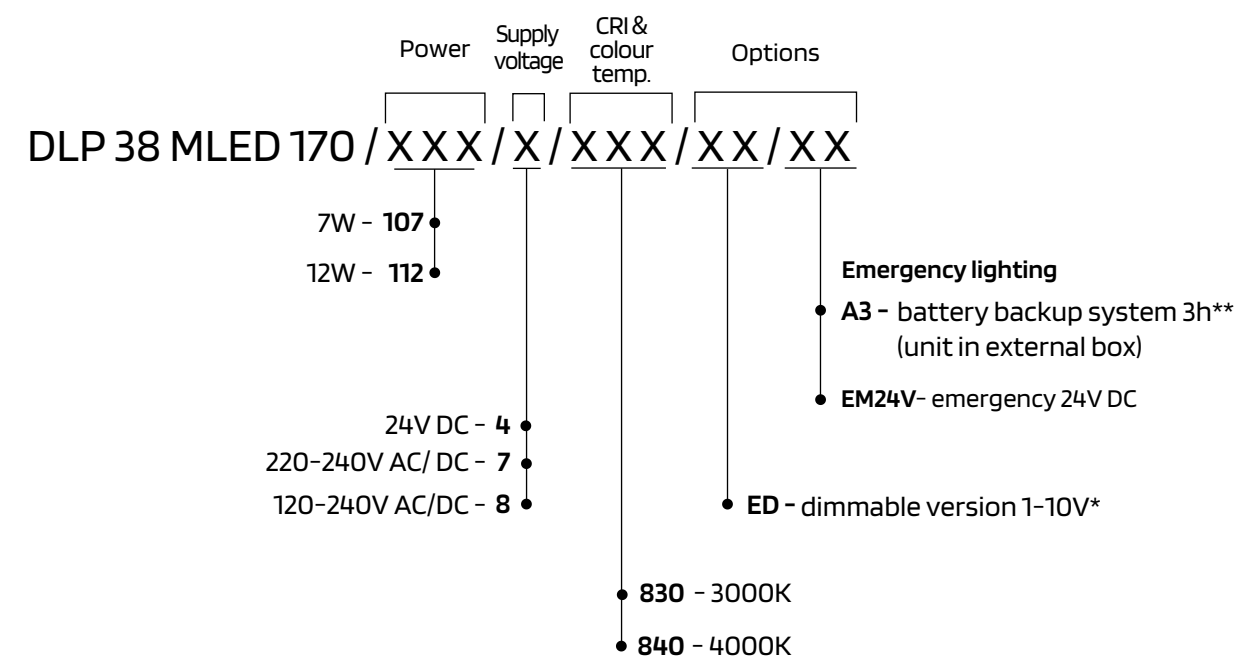
max 6 mounting holes, cut out: 144 mm

DIMENSIONS [mm]



Emergency version (dimensions of luminaire)

ORDER SPECIFICATION



*dimmable version is suitable only with AC current

Example of type description

DLP 38 MLED 170/112/7/830 light fitting with LED source 12W; supply voltage 220-240V AC/DC; colour temp 3000K;

Decor ring with diffuser is an integral part of luminaire but must be ordered separately

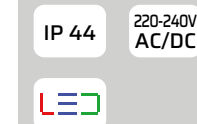


LD - SROP (silver ring, opal PC) ordering index: 31-339-9061
LD - WROP (white ring, opal PC) ordering index: 31-339-9060
 Coloured ring with RAL on special request: LD - RAL
 ordering index: 31-339-9062

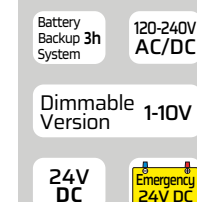


LD - WRRF (white ring, red filter) ordering index: 31-339-9066
LD - SRRF (silver ring, red filter) ordering index: 31-339-9067
 Coloured ring with RAL on special request: LD - RAL RF
 ordering index: 31-339-9068

TECHNICAL DATA



OPTIONS



**DLP
91**



Type	Light source power / lamp base	Light source	Weight
DLP 91	max 50 W GU5.3	halogen lamp LED lamp	0,3 kg

Adjustable downlight, max 50W

Approvals

according to the rules of relevant classification societies, additional IEC

Housing

die - cast gold plated, chrome plated, white painted, other colours on request

Lamps (not included)

LED or halogen lamp max. 50W

Electric

12V, flexible wiring, heat resistant up to + 250°C

Connections

plug and socket /Wieland GST/

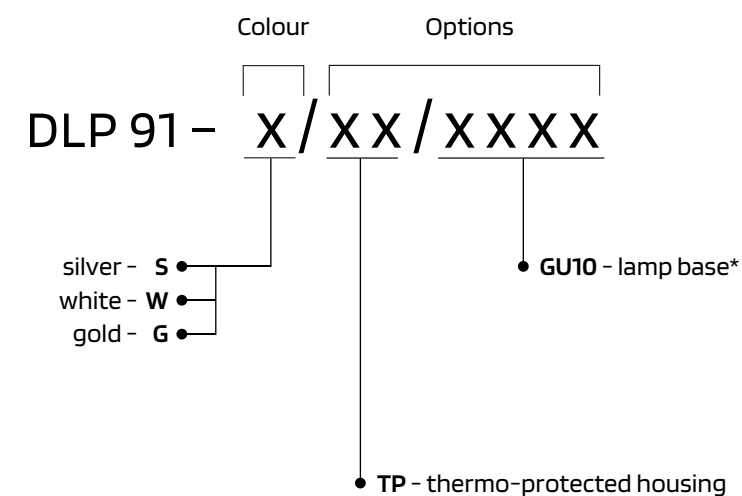
Mounting

with 2 fixing clips

Remark

electronic transformer ET - has to be ordered separately (not applicable to GU10)

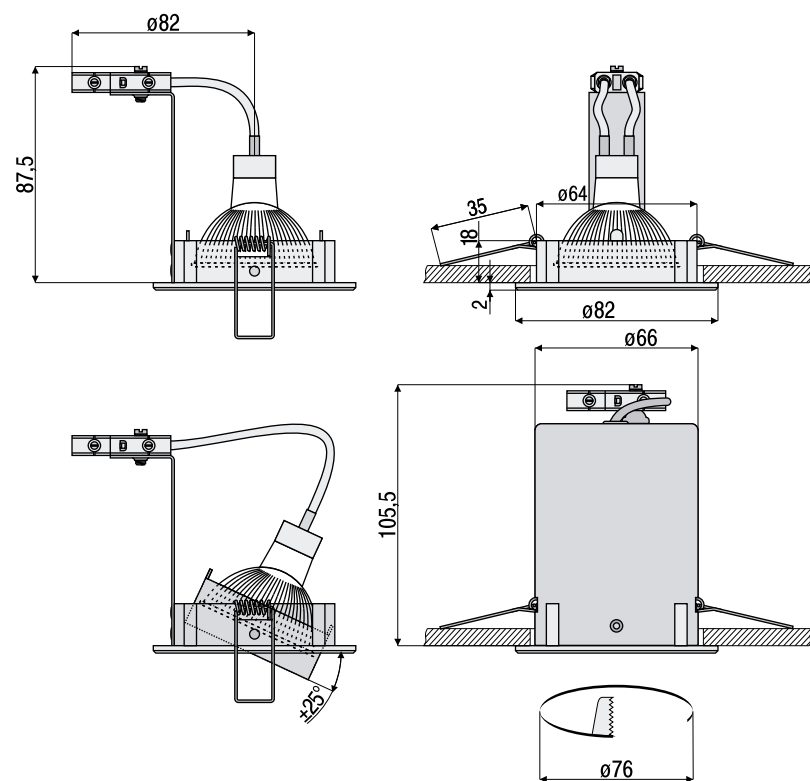
ORDER SPECIFICATION



Example of type description

DLP 91 - S light fitting for halogen lamp max 50W with socket GU5.3; colour - silver

DIMENSIONS [mm]



TECHNICAL DATA

IP 20 12V

GU 5,3

OPTIONS

Electronic Transformer 220V-240V 50-60Hz

Thermo-protected Housing

GU 10





DECORATIVE

JUPITER

1



Type	Light source power / lamp base	Light source	Weight
Jupiter 1	max 60 W / E 27	incandescent lamp	1,0 kg

JUPITER

2



Type	Light source power / lamp base	Light source	Weight
Jupiter 2	max 60 W / E 27	incandescent lamp	1,3 kg

Wall Light, max 60 W

Approvals
according to the rules of relevant classification societies, additional IEC

Shade
perlatex beige, washable

Housing
brass polished

Lamps (not included)
incandescent lamp, max 60 W,
LED lamp, max 20W

Electric
230V, 50Hz, flexible wiring,
heat resistant up to +105°C

TECHNICAL DATA



Wall Light, max 60 W

Approvals
according to the rules of relevant classification societies, additional IEC

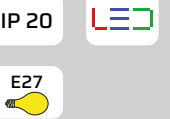
Shade
perlatex beige, washable

Housing
brass polished

Lamps (not included)
incandescent lamp, max 60 W,
LED lamp, max 20W

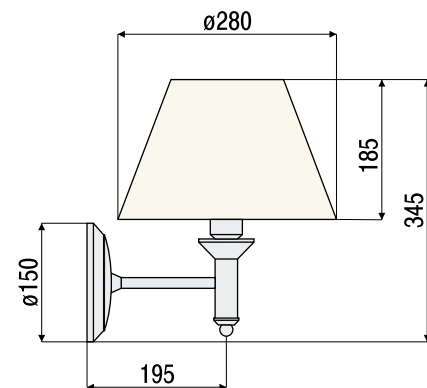
Electric
230V, 50Hz, flexible wiring,
heat resistant up to +105°C

TECHNICAL DATA



DIMENSIONS [mm]

Jupiter 1



JUPITER

5



Type	Light source power / lamp base	Light source	Weight
Jupiter 5	max 60 W / E 27	incandescent lamp	1,0 kg

JUPITER

7



Type	Light source power / lamp base	Light source	Weight
Jupiter 7	max 60 W / E 27	incandescent lamp	1,3 kg

Wall Light, max 60 W

Approvals
according to the rules of relevant classification societies, additional IEC

Shade
perlatex beige, washable

Housing
brass polished

Lamps (not included)
incandescent lamp, max 60 W,
LED lamp, max 20W

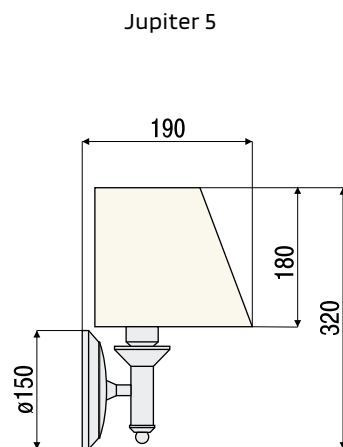
Electric
230V, 50Hz,
flexible wiring,
heat resistant up to +105°C

TECHNICAL DATA

IP 20



DIMENSIONS [mm]



Wall Light, max 60 W

Approvals
according to the rules of relevant classification societies, additional IEC

Shade
perlatex beige, washable

Housing
brass polished

Lamps (not included)
incandescent lamp, max 60 W,
LED lamp, max 20W

Electric
230V, 50Hz,
flexible wiring,
heat resistant up to +105°C

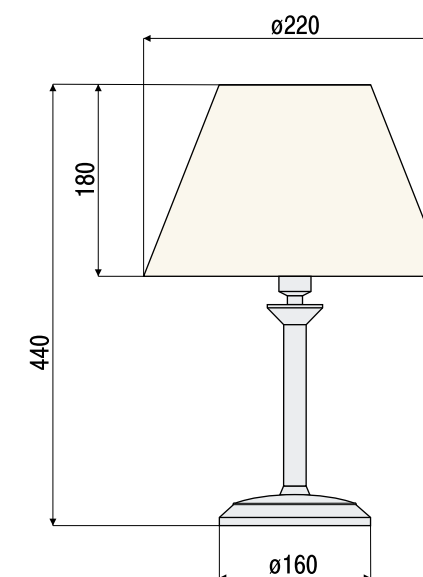
TECHNICAL DATA

IP 20



DIMENSIONS [mm]

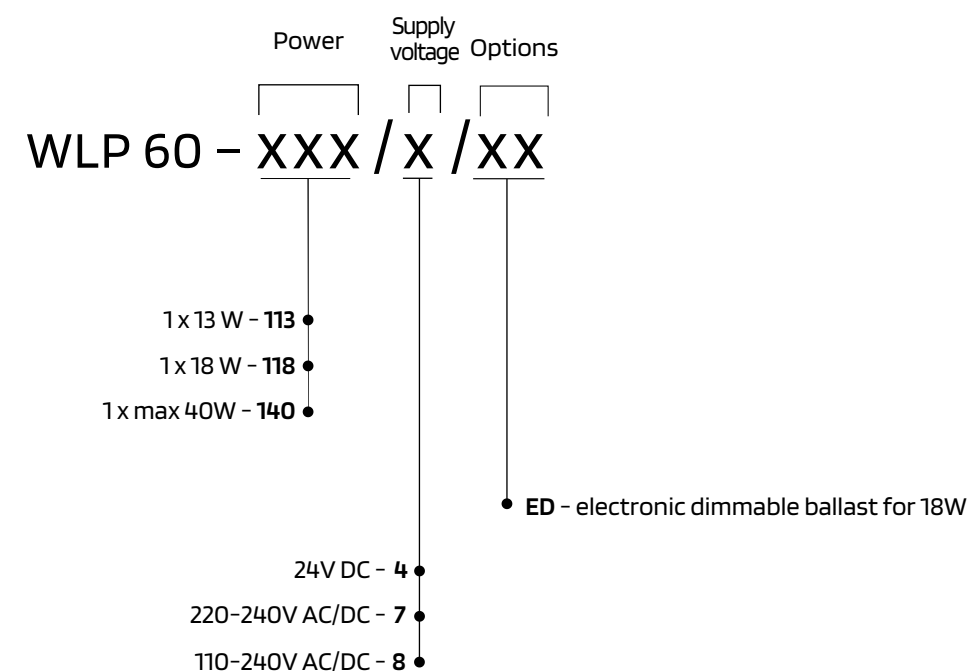
Jupiter 7



**WLP
60**



ORDER SPECIFICATION



Type	Light source power / lamp base	Light source	Weight
WLP 60 - 113...	1 x 13 W / G24q-1	tubular compact fluorescent lamp	0,9 kg
WLP 60 - 118...	1 x 18 W / G24q-2	tubular compact fluorescent lamp	0,9 kg
WLP 60 - 140	max 1x 40W / E14	incandescent lamp; LED lamp	0,8 kg

Wall luminaire, 1x13W/1x18W/1x max 40W

Approvals
according to the rules of relevant classification societies, additional IEC

Housing
zinc coated steel, powder coated white

Diffuser
polycarbonate, opal

Lamps (not included)
tubular compact fluorescent lamp 13W/18W;
incandescent lamp max 40W / E14;
LED lamp E14

Electric
flexible wiring,
heat resistant up to +105°C;
2-pole switch

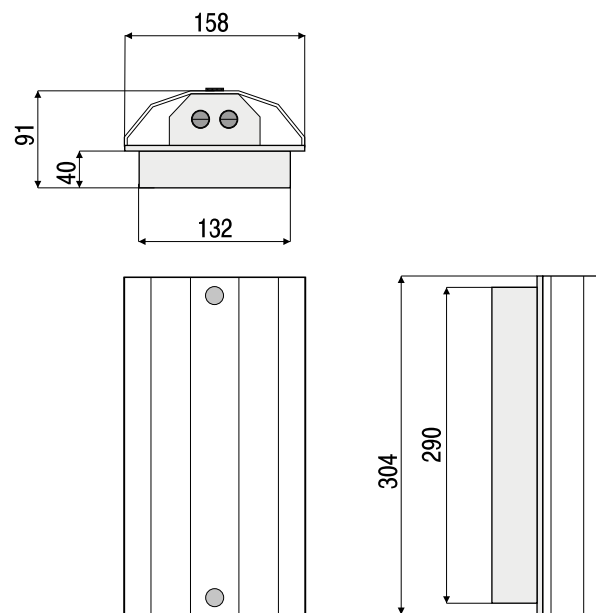
Cable entry
2 inlets, cable ø max 11 mm

Mounting
4 mounting holes ø 5 mm

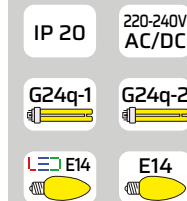
Example of type description

WLP 60 - 1187 light fitting for one tubular compact fluorescent lamp 18W with socket G24q-2;
supply voltage 220-240V AC/DC

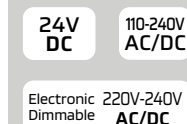
DIMENSIONS [mm]



TECHNICAL DATA



OPTIONS





OFFICE AND WORKPLACE

**TIP 14
MLED**



Type	Wattage	Light source	Length	Weight
TIP 14 MLED	9W	LED	flexible arm 700 mm	1,0 kg

Chart table light, 9W LED

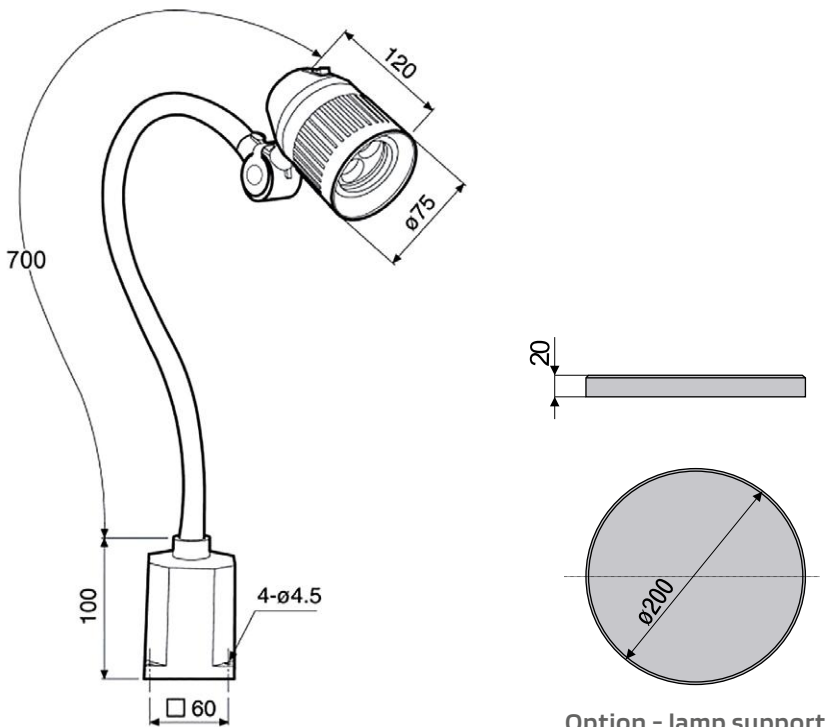
Approvals
according to the rules of relevant classification societies, additional IEC

Colour
black

Finish
with flexible arm, dimmable switch

Mounting
4 mounting holes \varnothing 5 mm

DIMENSIONS [mm]



Option - lamp support
*must be ordered separately

TECHNICAL DATA

IP 20 110V-240V AC/DC
LED

OPTIONS

Lamp support 24V DC

**TIP 15
MLED**



Type	Wattage	Light source	Length	Weight
TIP 15-MLED	12W	LED	flexible arm 675 mm	1,8 kg

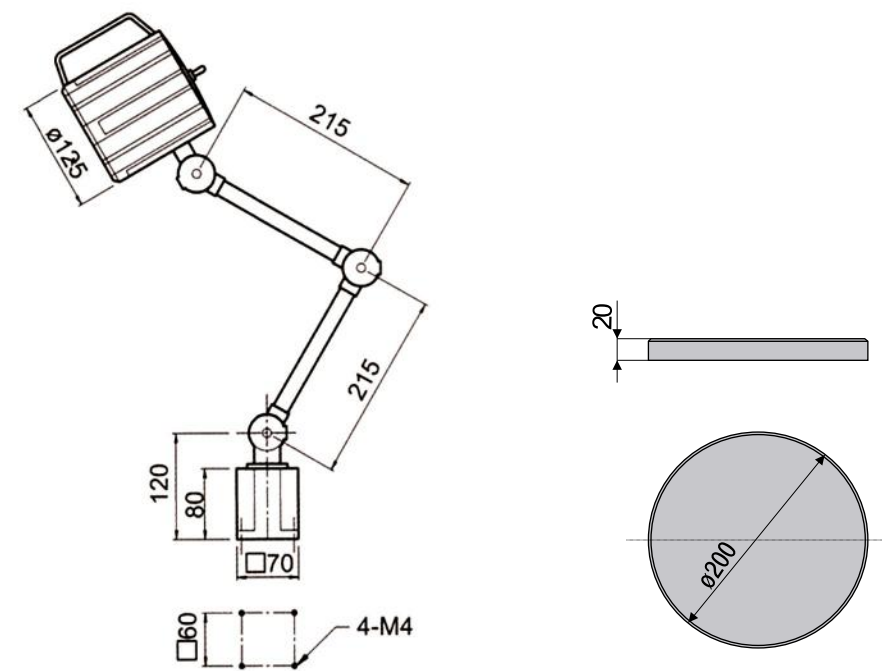
Table light, 12W

Approvals
according to the rules of relevant classification societies, additional IEC

Mounting
4 mounting holes \varnothing 5 mm

Finish
with flexible arm

DIMENSIONS [mm]



Option - lamp support
*must be ordered separately

TECHNICAL DATA

IP 65 LED
110V-240V AC/DC

OPTIONS

Lamp support 24V DC



**TIP 16
MLED**



Type	Wattage	Light source	Weight
TIP 16-MLED	14 W	LED	1,2 kg

Table light, 1x14W LED

Approvals
according to the rules of relevant classification societies, additional IEC

Finish
with flexible arm 500 mm, dimmable switch

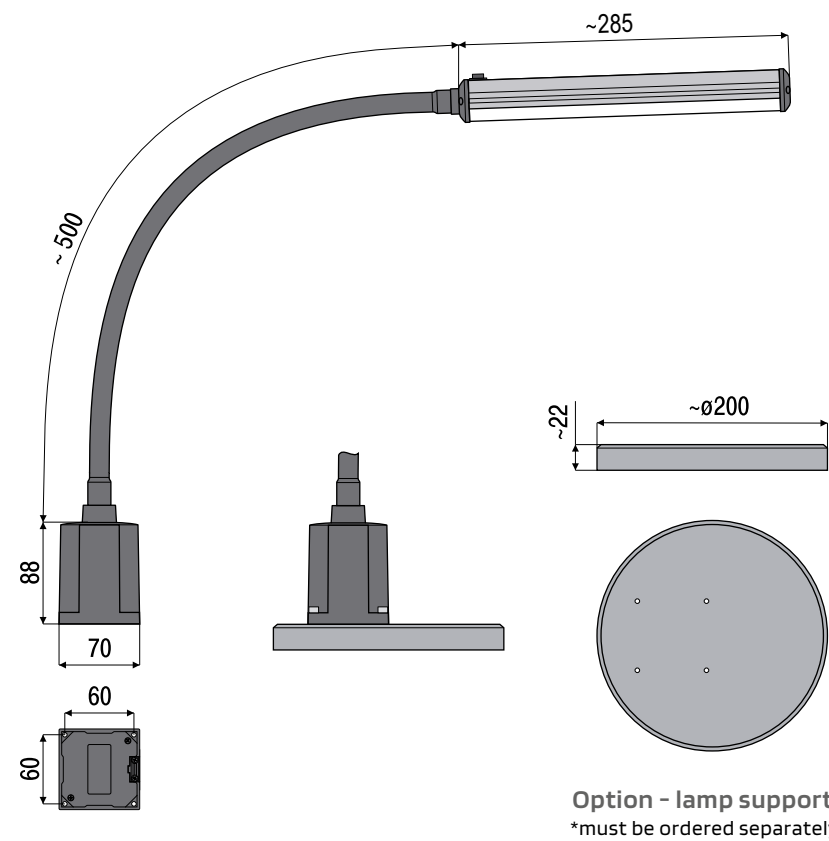
Colour
black

Lamps
LED 1x14W

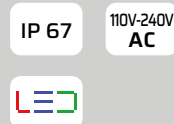
Electric
100-240V AC, 1,8 m power cable with europlug, switch in lamp head

Mounting
4 mounting holes \varnothing 4 mm

DIMENSIONS [mm]



TECHNICAL DATA



OPTIONS

Lamp support

**TIP 20
MLED**



Type	Wattage	Light source	Weight
TIP 20-4010/LED/ED	4 x 1W	LED	3,1 kg

Table light for reading maps, 4x1W

Approvals
according to the rules of relevant classification societies, additional IEC

Finish
metal construction

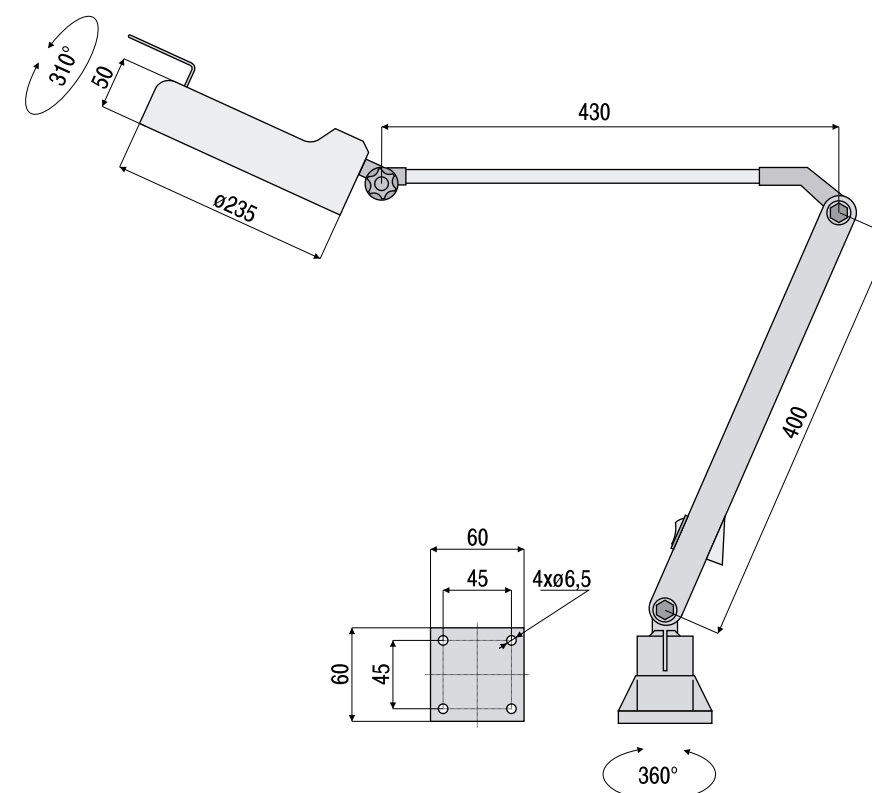
Lens
biconvex glass lens 120 mm, 3-diopters (= 1,75x power)

Lamps
LED

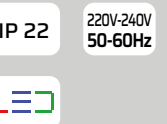
Electric
1,5 m cable, dimmable switch

Mounting
with screw down base

DIMENSIONS [mm]



TECHNICAL DATA



OPTIONS

Lamp support



EMERGENCY

HLP 02 MLED



Type	Wattage	Light source	Functions	Weight
HLP 02 MLED/7	7 W	LED panel	non-maintained	1,0 kg
HLP 02 MLED/7	7 W	LED panel	maintained	1,0 kg

Emergency and evacuation LED lighting fitting, surface, 1x 7W

Application
emergency light,
illuminated sign for passage ways,
public areas, etc.

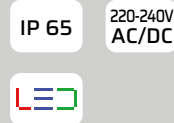
Housing
PC

Mounting
direct wall or ceiling instalation

Visibility
20 m

Remarks
pictograms on request

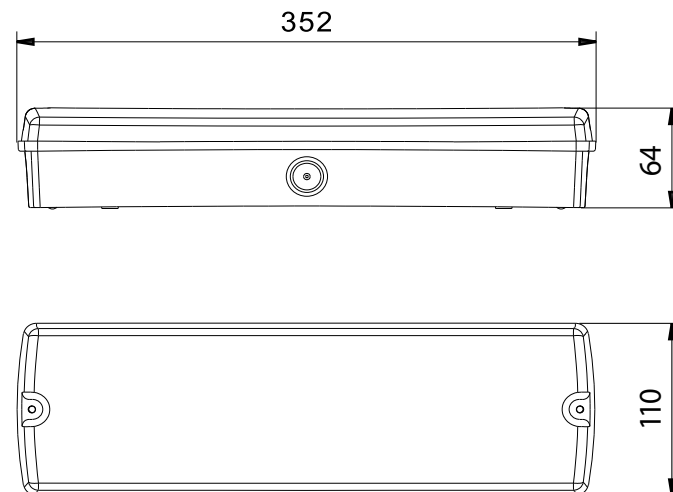
TECHNICAL DATA



OPTIONS



DIMENSIONS [mm]



HLP 20 MLED



Type	Wattage	Light source	Weight
HLP 20 MLED220/105	5 W	LED	1,2 kg

Emergency luminaire, 5W LED

Application
emergency light, illuminated sign
for passage ways, public areas, etc.

Approvals
according to the rules of relevant
classification societies, additional IEC

Housing
zinc coated steel, powder coated white

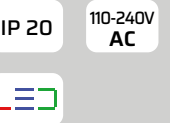
Electric
flexible wiring, heat resistant up to +105°C

Cable connection
3-pole plug

Mounting
mounting holes \varnothing 4,8 mm

Remarks
pictograms on request

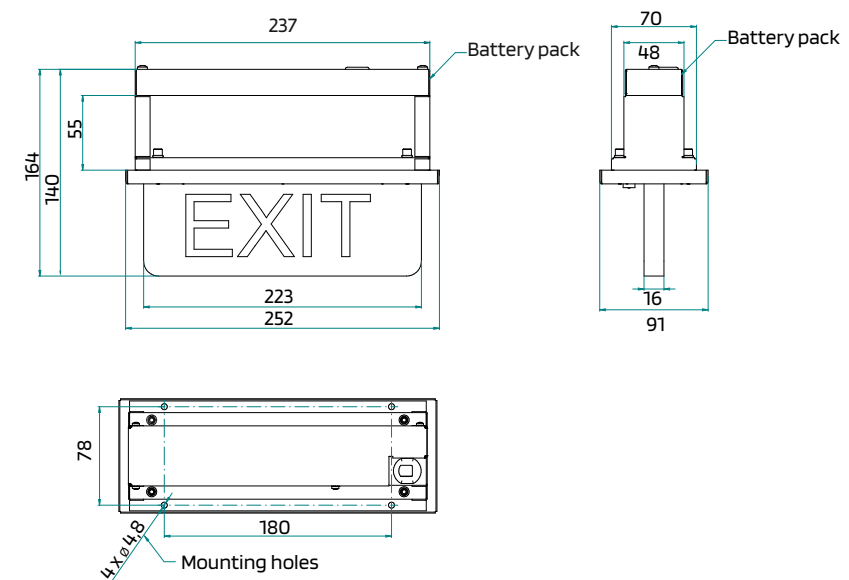
TECHNICAL DATA



OPTIONS



DIMENSIONS [mm]





REMONTOWA LIGHTING TECHNOLOGIES S.A.

NA OSTROWIU 1 STREET, 80-958 GDAŃSK, POLAND

+48 58 520 74 29

RLT@RLT.RH.PL

SALES OFFICE:

+48 728 939 427

+48 58 520 74 11

ZAMOWIENIA@RLT.RH.PL

PolamRem ®

POLAMREM® IS A TRADEMARK
OF REMONTOWA LIGHTING TECHNOLOGIES S.A

www.rlt.rh.pl