

TLP 67 MLED



Type	Wattage	Light source	Lumens	Weight
TLP 67-MLED220/211/...	2 x 11 W	LED	2 x 1700 lm	3,9 kg
TLP 67-MLED240/411/...	4 x 11 W		4 x 1700 lm	4,2 kg
TLP 67-MLED220/406/...	4 x 6 W (24V DC)		4 x 770 lm	3,5 kg
TLP 67-MLED240/806/...	8 x 6 W (24V DC)		8 x 770 lm	4,0 kg

Watertight luminaire, surface 2x11W / 4x11W / 4x6W / 8x6W LED

Application

Watertight luminaire for decks, engine rooms, holds, storage yards, working spaces, industrial areas, etc.

Diffuser

polycarbonate, clear

Approvals

according to the rules of relevant classification societies, additional IEC

Electric

flexible wiring, heat resistant up to +105°C

Housing

zinc coated steel or stainless steel
powder coated white

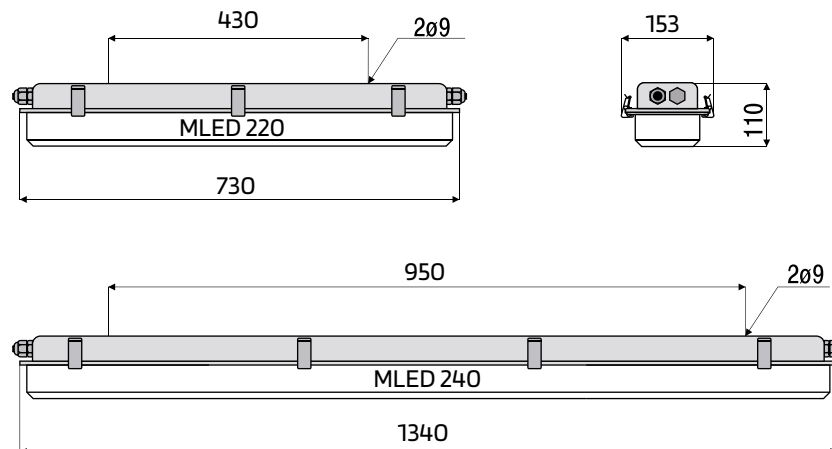
Cable entry

max 4 cable glands, see drawing A

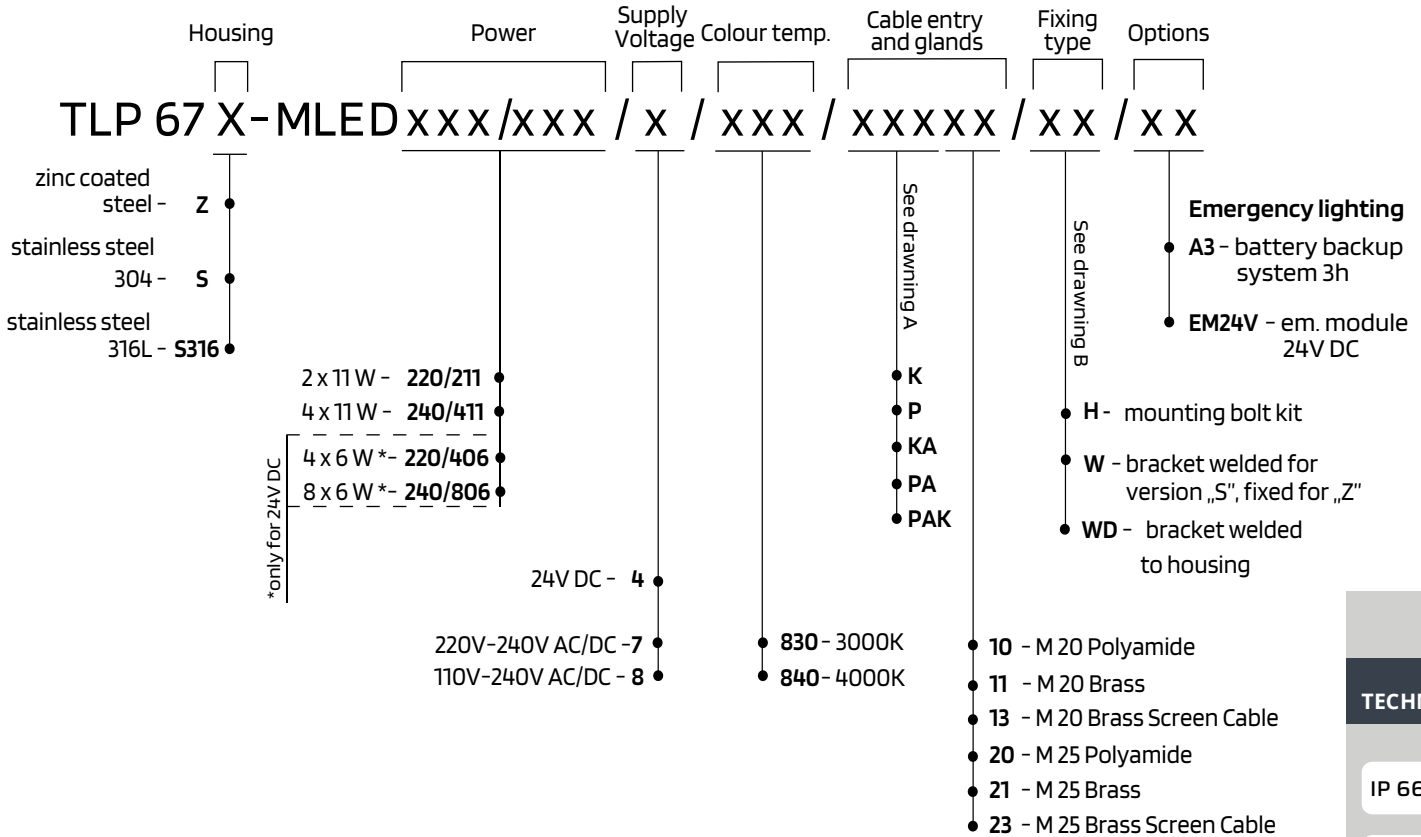
Mounting

See drawing B

DIMENSIONS [mm]



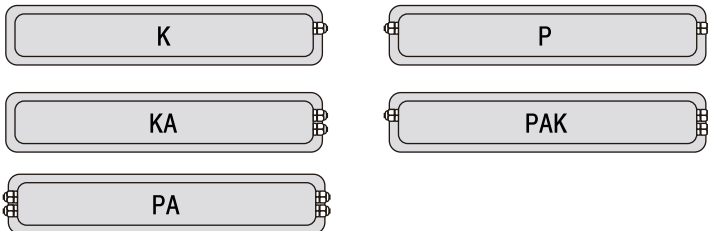
ORDER SPECIFICATION



Example of type description

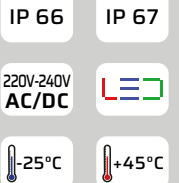
TLP 67S-MLED220/211/7/830/P11/W - stainless steel 304 light fitting with LED panels (2x11W), power supply 220-240V AC/DC; light color temp.: 3000K; through wiring (2 brass glands M20); fixing - two „w“ brackets.

A. Cable entry

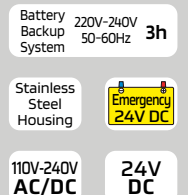


M 20			M 25		
Polyamide	Brass	Brass SC	Polyamide	Brass	Brass SC
Cable dia. 6-12 /mm/	Cable dia. 8-14,5 /mm/	Cable dia. 7-12,5 /mm/	Cable dia. 11-17 /mm/	Cable dia. 9-17 /mm/	Cable dia. 9-17 /mm/
10	11	13	20	21	23

TECHNICAL DATA



OPTIONS



TLP 67 MLED

B. Fixing type

