



REMONTOWA MEMBER OF
LIGHTING TECHNOLOGIES REMONTOWA
HOLDING S.A.

LUMINAIRES MARINE APPLICATION

2020

Remontowa Lighting Technologies S.A. formerly known as Polam-Rem - we are one of the leading European manufacturers of lighting fixtures for maritime and industry.

We manufacture lighting fixtures designed for lighting vessels, offshore and shipyard/port infrastructure.

All our lighting fixtures are certified and meet all European quality standards and norms.

We offer a comprehensive range of lighting services in the international arena. With our dedicated and experienced design team and efficient production processes, we are able to meet the most demanding specifications. Striving to meet all your requirements, with the best possible solution, you can be confident in us as your lighting partner.

Together we will meet the daily challenges, discover new possibilities and with our experience and passion provide you with the highest quality lighting.

TABLE OF CONTENTS



FLOODLIGHTS



STP 20 MLED	-----	1.01	STP 76 HPS/MH	-----	1.07
STP 76 HALOGEN	-----	1.03	VGP 76 HPS/MH	-----	1.09



EXPLOSIONPROOF



EXP 83 MLED	-----	2.01	EXP 03 MLED	-----	2.07
EXP 83	-----	2.03	EXP 03	-----	2.09
113 Ex	-----	2.05			



TECHNICAL / OUTDOOR



TLP 67 MLED	-----	3.01	TZP 44 MLED	-----	3.21
TLP 67	-----	3.05	TZP 44	-----	3.25
TLP 54	-----	3.09	SLP 97 MLED	-----	3.29
KLP 61 MLED	-----	3.13	SLP 97	-----	3.31
KLP 61	-----	3.15	SLP 98 MLED	-----	3.33
KZP 61 MLED	-----	3.17	SLP 98	-----	3.35
KZP 61	-----	3.19			



INTERIOR



DEP 28 MLED	-----	4.01	DAP 23 MLED	-----	4.23
DEP 28	-----	4.03	DAP 23	-----	4.25
DEP 19 MLED	-----	4.05	DAP 30 MLED	-----	4.27
DEP 19	-----	4.09	KJP 27 MLED	-----	4.29
DEP 95 MLED	-----	4.13	KJP 27	-----	4.31
DEP 95	-----	4.15	KJP 41 MLED	-----	4.33
KJP 40 MLED	-----	4.17	KJP 41	-----	4.35
ELP 33 MLED	-----	4.19	KJP 28 MLED	-----	4.37
ELP 33	-----	4.21			



DOWNLIGHTS



DLP 38 MLED	-----	5.01	DLP 91	-----	5.05
DLP 38	-----	5.03			



DECORATIVE



JUPITER 1, 2	-----	6.01	JUPITER 7	-----	6.04
JUPITER 3, 4	-----	6.02	WLP 60	-----	6.05
JUPITER 5	-----	6.03			



OFFICE AND WORKPLACE



TIP 14 MLED	-----	7.01	TIP 16 MLED	-----	7.03
TIP 15 MLED	-----	7.02	TIP 20 MLED	-----	7.04



EMERGENCY



HLP 02 MLED	-----	8.01	HLP 20 MLED	-----	8.02
-------------	-------	------	-------------	-------	------

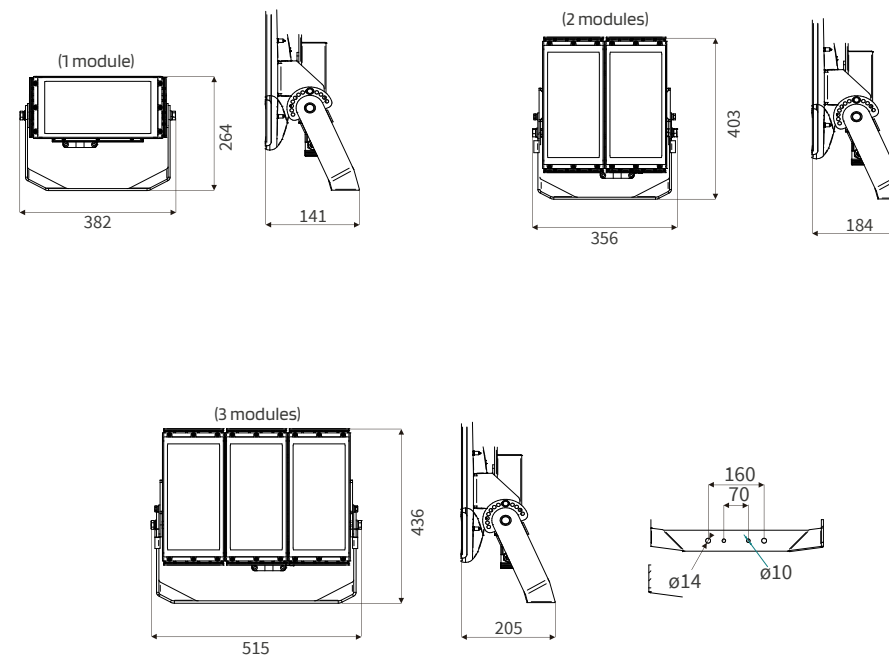


FLOODLIGHTS

STP 20 MLED



DIMENSIONS [mm]



Type	No. of modules	Wattage	Optics	Lumens	Weight
STP 20 MLED1/0467/8/740/W	1	50 W	wide	7700 lm	8,1 kg
STP 20 MLED2/0927/8/740/W	2	100 W	wide	16000 lm	12,4 kg
STP 20 MLED3/1397/8/740/W	3	150 W	wide	24000 lm	17,1 kg

*manufacturer permits a tolerance +/- 10%
Manufacturer reserves their right to change technical parameters due to technical development.

Watertight and dustproof floodlight

Application

decks, technical and utility rooms, cargo holds, engine rooms, storage yards.

Technical description

Housing: marine grade aluminium, powder painted
Radiator: marine grade aluminium, powder painted
Diffuser: strengthened glass
Bolts: stainless steel

Mounting / Installation

direct wall or ceiling mouting with adjustable stainless steel bracket.

Electric parameters

basic power supply: 110-240V AC
power factor: > 0,95
cable glands: max 2 cable glands
cable diameter: Ø 6-12 mm (M20 brass)

Ending or through wiring

LED parameters

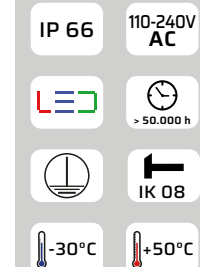
colour temp.: 4000K
lifetime: > 50 000 h

LED board equipped with lenses for light pattern shaping and reducing glare

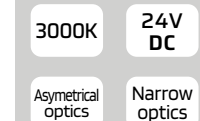
Example of type description

STP 20 MLED1/7/0467/740/N – STP 20 MLED luminaire, wattage 50W, 4000K, CRI 70, narrow beam

TECHNICAL DATA



OPTIONS



STP 76 HALOGEN



Type	Supply voltage	Light source	Light source power	Lampholder type	Weight
STP 76-0200	220-240V AC/DC	halogen lamp	max 200W /114,2 mm/	R7s	3,3 kg

Floodlight for halogen lamps max 1x200W

Application
decks, holds, industrial areas, etc.

Approvals
according to the rules of relevant classification societies, additional IEC

Housing
stainless steel seamless deep drawn, powder coated white

Diffuser
safety glass

Reflector
aluminium anodized

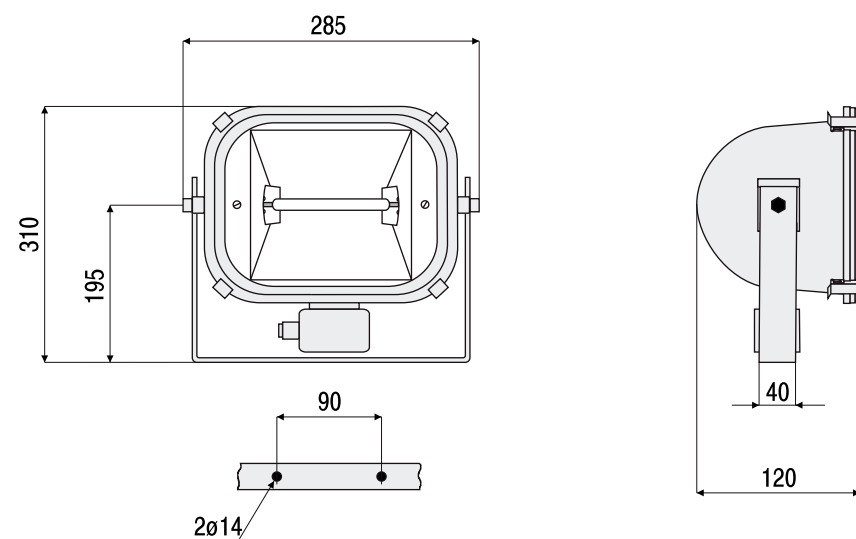
Lamps (not included)
halogen lamp max 200W, 114.2 mm

Electric
230V, flexible wiring, high temperature resistant

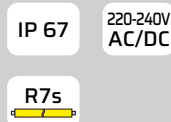
Cable entry
junction box, 1 cable gland brass, M24x1.5 with earthing insert

Mounting
adjustable bracket, stainless steel, 2 mounting holes, \varnothing 14 mm

DIMENSIONS [mm]



TECHNICAL DATA



OPTIONS



Type	Supply voltage	Light source	Light source power	Lampholder type	Weight
STP 76-0500	220-240V AC/DC	halogen lamp	max 500W /114,2 mm/	R7s	5,3 kg

Floodlight for halogen lamps max 1x500W

Application
decks, holds, industrial areas, etc.

Approvals
according to the rules of relevant classification societies, additional IEC

Housing
stainless steel seamless deep drawn, powder coated white

Diffuser
safety glass

Reflector
aluminium anodized

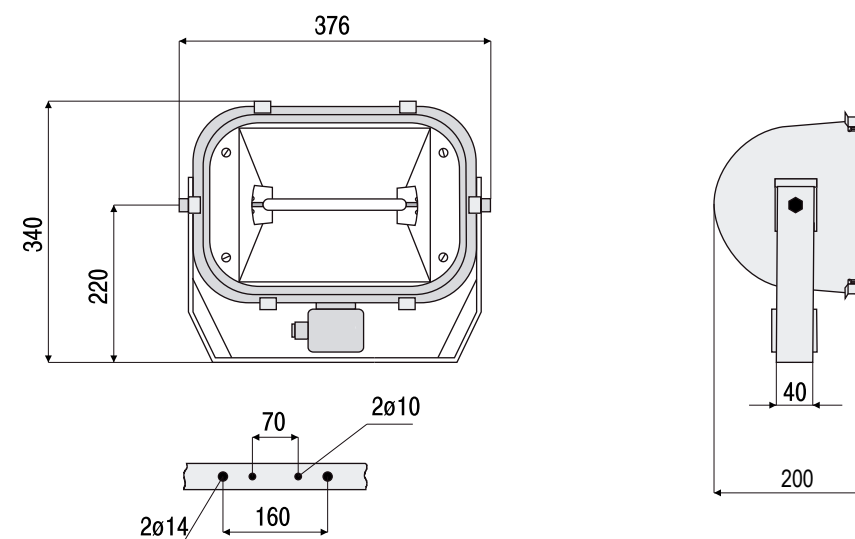
Lamps (not included)
halogen lamp max 500W, 114.2 mm

Electric
230V, flexible wiring, high temperature resistant

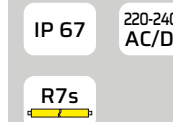
Cable entry
junction box, 1 cable gland brass, M24x1.5 with earthing insert

Mounting
adjustable bracket, stainless steel, 4 mounting holes, \varnothing 10 mm and \varnothing 14 mm

DIMENSIONS [mm]



TECHNICAL DATA



OPTIONS



STP 76
HALOGEN



Type	Supply voltage	Light source	Light source power	Lampholder type	Weight
STP 76-1000	220-240V AC/DC	halogen lamp	max 1000W	R7s	7,6 kg

Floodlight for halogen lamps max 1x1000W

Application
decks, holds, industrial areas, etc.

Approvals
according to the rules of relevant classification societies, additional IEC

Housing
stainless steel seamless
deep drawn, powder coated white

Diffuser
safety glass

Reflector
aluminium anodized

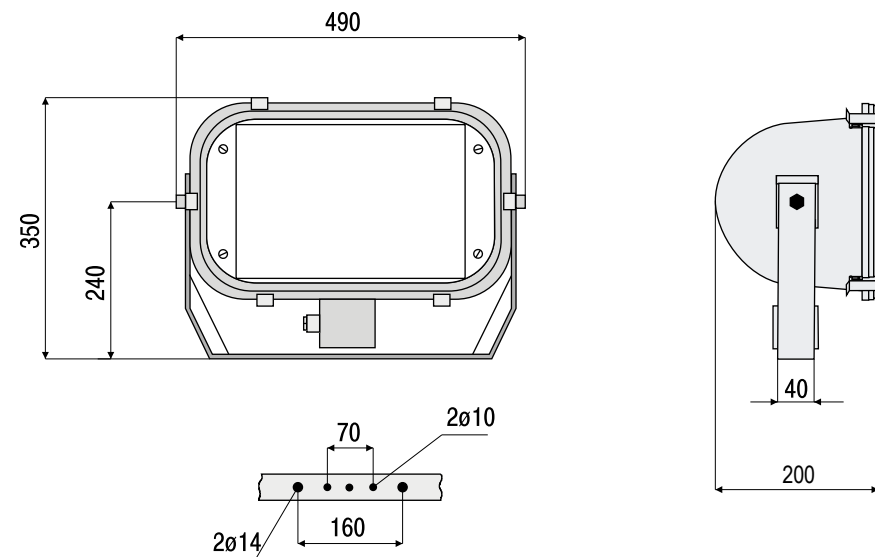
Lamps (not included)
halogen lamp max 1000W

Electric
230V, flexible wiring,
high temperature resistant

Cable entry
junction box, 1 cable gland brass,
M24x1.5 with earthing insert

Mounting
adjustable bracket, stainless steel,
4 mounting holes, \varnothing 10 mm and \varnothing 14 mm

DIMENSIONS [mm]

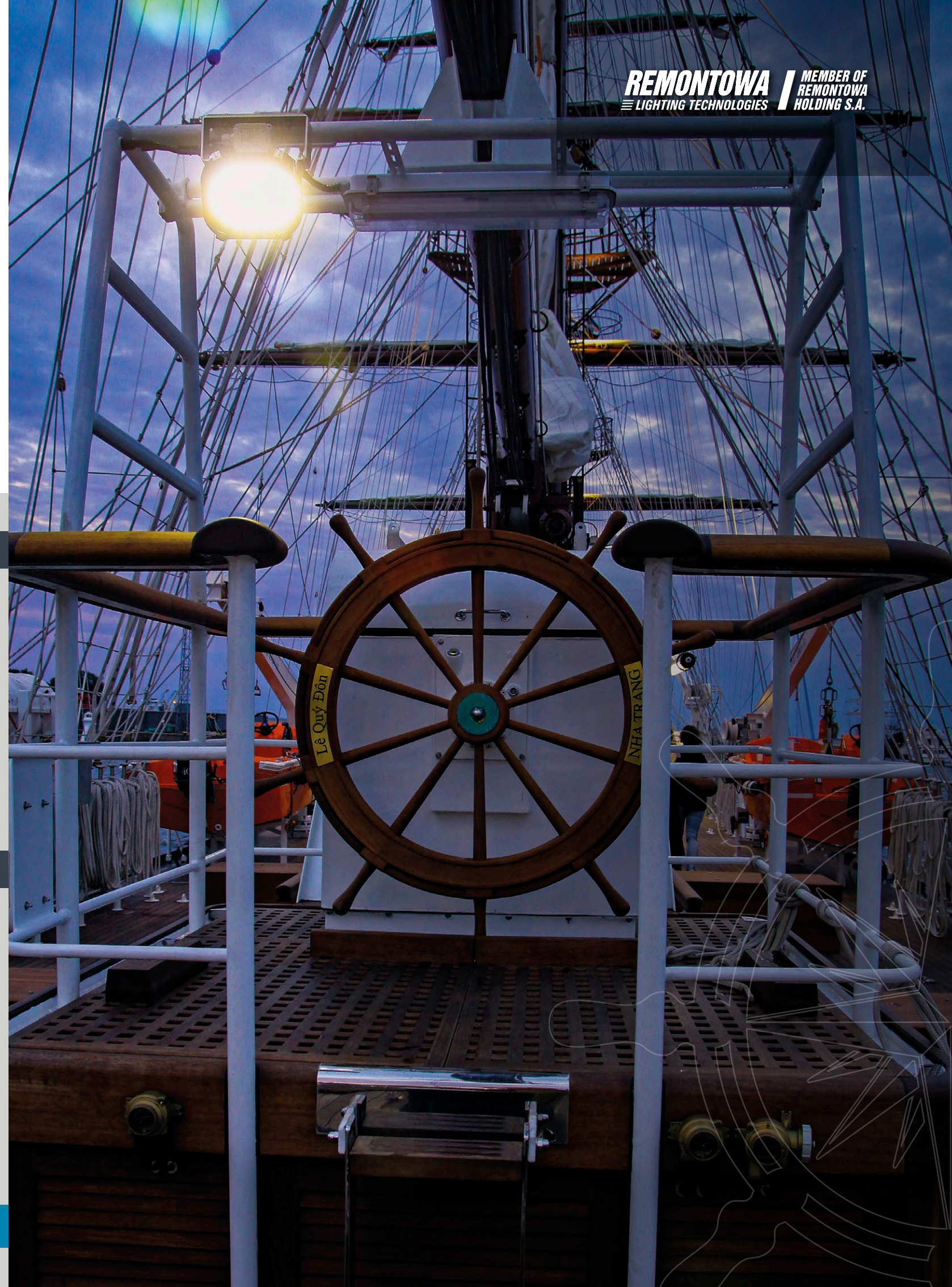


TECHNICAL DATA

IP 67 220-240V AC/DC
R7s

OPTIONS

SC-Glands for screen cable E40



STP 76 HPS/MH



Type	Light source	Light source power	Lampholder type	Weight
STP 76-1400	sodium or metal-halide lamp	1 x 250W or 1 x 400W	E40	7,7 kg



Type	Light source	Light source power	Lampholder type	Weight
STP 76-2400	sodium or metal-halide lamp	2 x 250W or 2 x 400W	E40	11,8 kg

Floodlight, max 1x400W HPS/MH

Application

decks, holds, industrial areas, etc.

Lamps (not included)

high pressure (HPS) sodium lamp, metal halide (MH) lamp 250W/400W

Approvals

according to the rules of relevant classification societies, additional IEC

Electric

230V, flexible wiring, high temperature resistant

Housing

stainless steel seamless deep drawn, powder coated white

Cable entry

junction box, 1 cable glands brass, M24x1.5 with earthing insert

Diffuser

safety glass

Mounting

adjustable bracket, stainless steel, 4 mounting holes, \varnothing 10 mm and \varnothing 14 mm

Reflector

aluminium anodized

Remark

ballast unit VGP 76 - ... has to be ordered separately

TECHNICAL DATA

IP 67



OPTIONS



Floodlight, max 2x400W HPS/MH

Application

decks, holds, industrial areas, etc.

Lamps (not included)

high pressure (HPS) sodium lamp, metal halide (MH) lamp 250W/400W

Approvals

according to the rules of relevant classification societies, additional IEC

Electric

230V, flexible wiring, high temperature resistant

Housing

stainless steel seamless deep drawn, powder coated white

Cable entry

junction box, 2 cable glands brass, M24x1.5, with earthing insert

Diffuser

safety glass

Mounting

adjustable bracket, stainless steel, 4 mounting holes, \varnothing 14 mm

Reflector

aluminium anodized

Remark

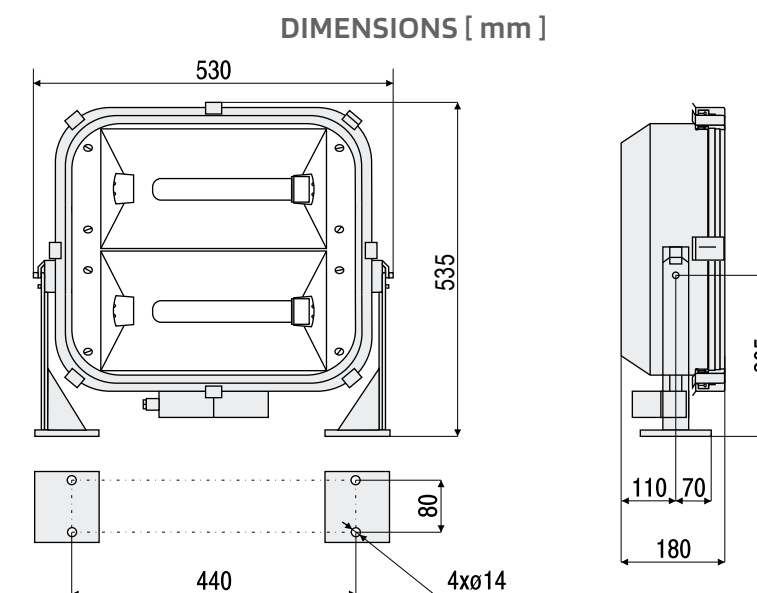
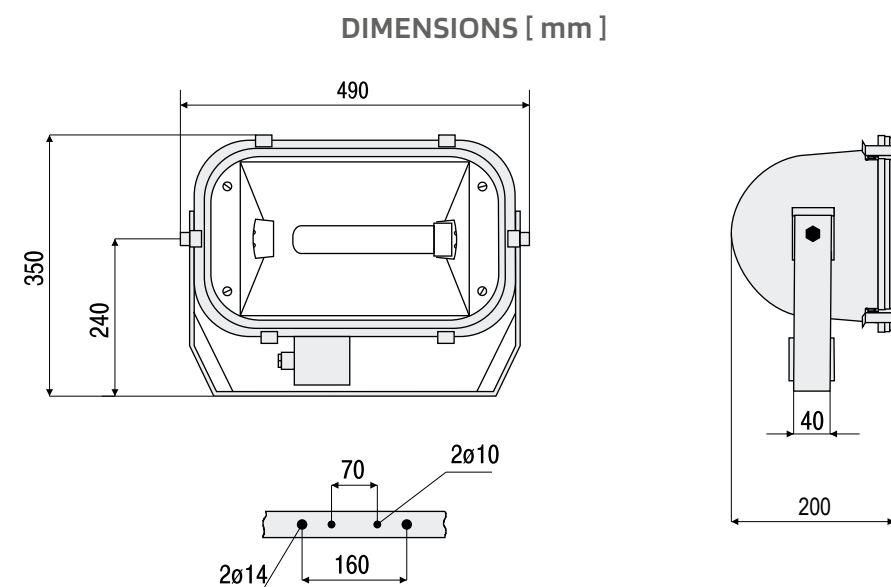
ballast unit VGP 76 - ... has to be ordered separately

TECHNICAL DATA

IP 67



OPTIONS



VGP 76
HPS/MH



Type		Power	Weight
230V-250V / 50Hz	230V-250V / 60Hz		
VGP 76 – 1250	VGP 76 – 1251	1 x 250W	10,6 kg
VGP 76 – 1400	VGP 76 – 1401	1 x 400W	10,8 kg
VGP 76 – 2250	VGP 76 – 2251	2 x 250W	18,4 kg
VGP 76 – 2400	VGP 76 – 2401	2 x 400W	19,4 kg

Ballast Unit for HPS/MH Floodlight 1x250W/1x400W/2x250W/2x400W

Application
decks and holds, industrial areas

Approvals
according to the rules of relevant classification societies, additional IEC

Housing
stainless steel, powder coated white

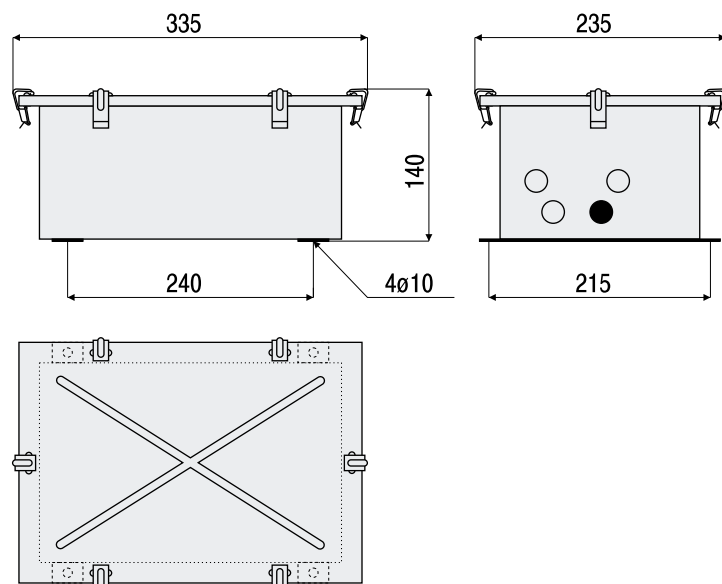
Electric
flexible wiring, heat resistant up to +105°C

Cable entry
max. 4 cable glands, brass, M 24x1.5, with earthing insert

Mounting
4 mounting holes, ø 10 mm

Remark
floodlight has to be ordered separately

DIMENSIONS [mm]



TECHNICAL DATA

230V-250V
50Hz

230V-250V
60Hz

IP 67

OPTIONS

SC-Glands for screen cable





MARINE PRODUCT

EXPLOSIONPROOF

EXP 83 MLED



Type	Wattage	Light source	Lumens	Weight
EXP 83-MLED/220/125/D	1x25W	LED panel with opal cover	2500 lm	4,9 kg
EXP 83-MLED/240/150/D	1x50W	LED panel with opal cover	5000 lm	7,5 kg

Explosionproof luminaire, surface 1x25W / 1X50W LED

Application
hazardous zone 1,21; 2, 22

Approvals authority:
ATEX

Ex marking
II 2G Ex db eb mb IIC T4 Gb
II 2D Ex tb IIIC T60°C / 65°C IP66/IP67 Db

Housing
zinc coated steel or stainless steel,
powder coated white

Diffuser
clear polycarbonate

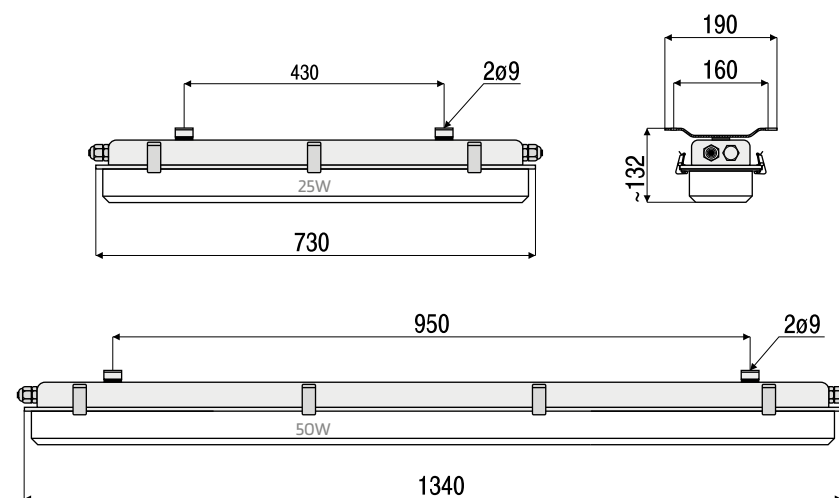
Light source life time
> 50 000 h

Electric
flexible wiring, heat resistant
up to +105°C

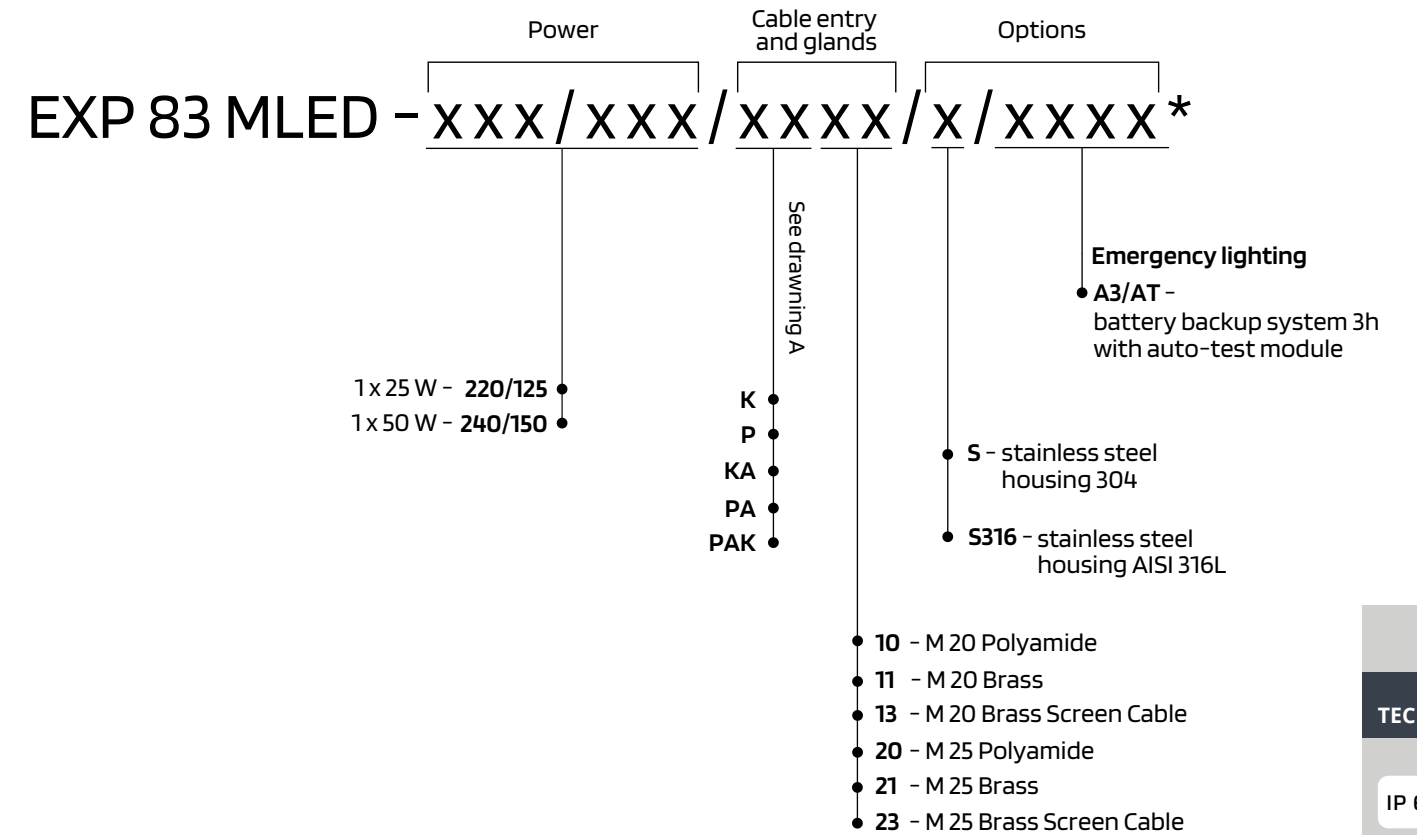
Cable entry
max 4 cable glands, see diagram A

Mounting
2 brackets with 2 mounting
holes ø 9 mm

DIMENSIONS [mm]



ORDER SPECIFICATION

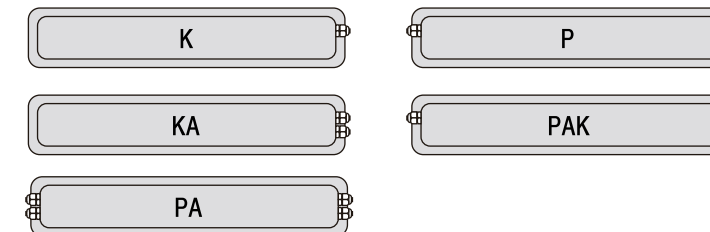


*marking on the label may differ from the order specification

Example of type description

EXP 83 MLED220/125/DO/P11/S316 - light fitting with LED source, 25W, supply voltage 110-254V 50/60Hz, through wiring (2 brass cable glands M20), stainless steel 316 housing

A. Cable entry



TECHNICAL DATA

IP 66 IP 67

110V-254V 50-60Hz

-35°C +40°C



OPTIONS

Battery Backup System **3h**

Stainless Steel Housing

SC-Glands for screen cable





Type	Light source power / lamp base	Light source	Weight
EXP 83-218...	2 x 18 W / G 13	fluorescent lamp	6,1 kg
EXP 83-236...	2 x 36 W / G 13	fluorescent lamp	8,3 kg

Explosionproof luminaire, surface 2x18W / 2x36W

Application
hazardous zone 1,21; 2, 22

Diffuser
clear polycarbonate

Approvals authority:
KDB 04ATEX339X

Lamps (not included)
fluorescent lamp 18W/36W

Ex marking
II 2G Ex de mb IIC T4 Gb
II 2D Ex t IIIC T60°C-T65°C IP 66/67 Db

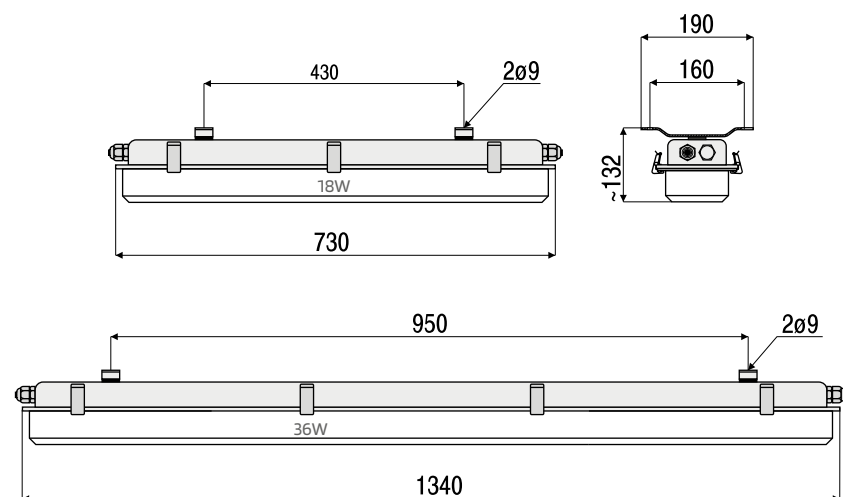
Electric
flexible wiring, heat resistant up to +105°C

Housing
zinc coated steel or stainless steel,
powder coated white

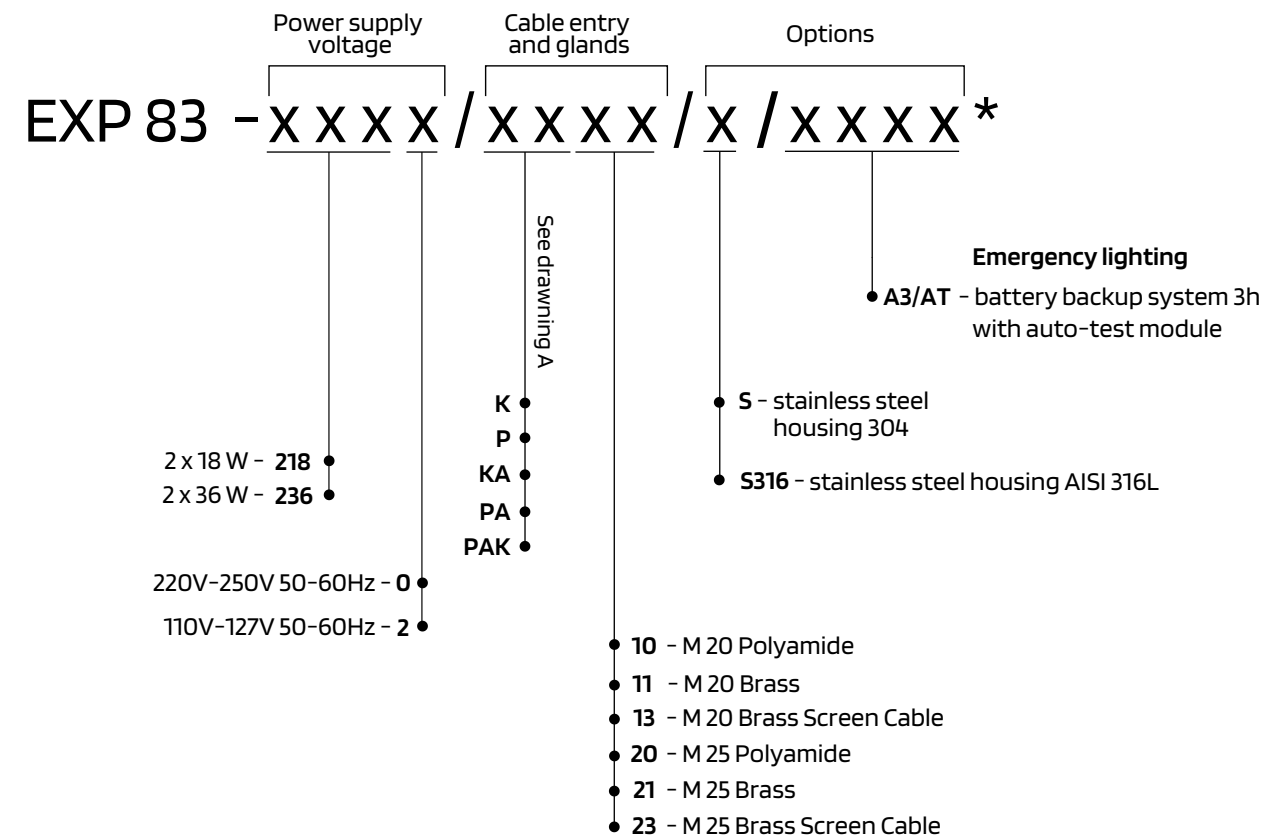
Cable entry
max 4 cable glands, see diagram A

Mounting
2 brackets with 2 mounting holes \varnothing 9 mm

DIMENSIONS [mm]



ORDER SPECIFICATION

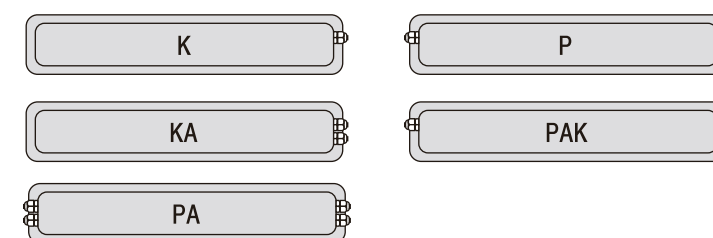


*marking on the label may differ from the order specification

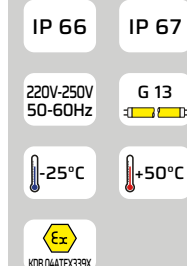
Example of type description

EXP 83 - 2180/PA10/S - explosion proof light fitting for two fluorescent lamps 18W with socket G13; supply voltage 220V-250V AC/DC; through wiring with 4 polyamide M20 glands; stainless steel housing 304

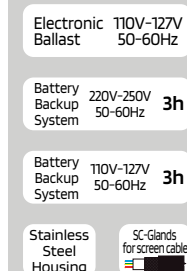
A. Cable entry



TECHNICAL DATA



OPTIONS



**113
EX**



Type	Light source	Lamp base	Wattage	Voltage	Weight
113- ... EX	A 80	E27	max 200 W	230V AC 50Hz	5,8 kg
	HME-SB		max 160 W	230V AC 50Hz	5,8 kg
	A		max 100 W	110V AC/DC 42V AC/DC	5,8 kg
	A		max 60 W	230V DC	5,8 kg
	A		max 60 W	24V AC/DC	5,8 kg
	TC-TSE		max 23 W	230V AC	5,8 kg

Explosionproof luminaire, surface

Application

outdoor/indoor, hazardous zone: 1,21; 2,22

Approvals authority:

KDB - 04 ATEX 279X

Ex series

II 3G Ex nA IIC T5 Gc
II 3D Ex t IIIC T60°-65°C IP 66/67 Dc

Housing

aluminium powder painted

Diffuser

borosilicate glass

Lamps (not included)

see specification

Electric

flexible wiring, heat resistant up to +105°C

Cable entry

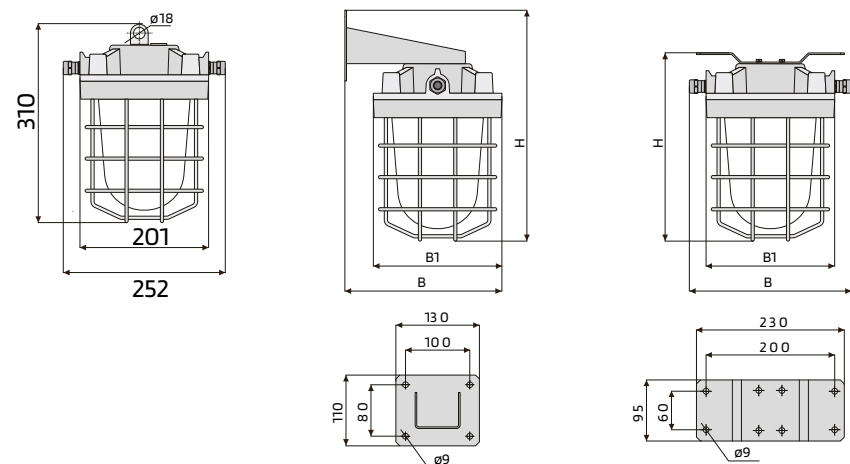
M20 cable gland \varnothing 8-13 mm

Mounting

suspended luminaire or wall / ceiling bracket

DIMENSIONS [mm]

113-... E x/C/W

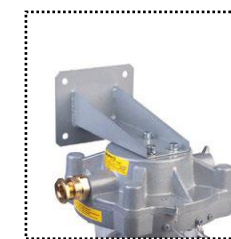


ORDER SPECIFICATION

Wiring type
Options
113 - XX Ex / X / X

ending wiring - **03**
through wiring - **04**

C/W - ceiling / wall bracket



Example of type description

113-04 Ex/C/W - explosionproof light fitting with socket E27; supply voltage according to the source; through wiring; 2 glands M20; ceiling / wall bracket.

Additional equipment (ordered separately)

Wire guard

Ordering index: 31-173-2004



Flat reflector

Ordering index: 31-173-2000



Cone reflector

Ordering index: 31-173-2001



TECHNICAL DATA

IP 66 230V
50Hz

E27 Ex

-20°C +45°C

OPTIONS

Steel Wire Guard

Flat Reflector Cone Reflector

Wall/Ceiling Bracket SC-Glands for screen cable

**EXP 03
MLED**



Type	Wattage	Light source	Lumens	Weight
EXP 03-MLED220/209/840	19W	LED	2350 lm	3,3 kg
EXP 03-MLED220/211/840	25W		3270 lm	3,3 kg
EXP 03-MLED240/409/840	39W		5050 lm	5,7 kg
EXP 03-MLED240/411/840	50W		6520 lm	5,7 kg
EXP 03-MLED240/417/840	70W		8440 lm	5,7 kg

Explosionproof luminaire, surface 2x9W / 2x11W / 4x9W / 4x11W / 4x17W

Application
hazardous zone 2,22

Light source life time
> 50 000 h

Ex marking
II 3G Ex nA IIC T4 Gc
II 3D Ex tc IIIC T65°C IP 66/67 Dc

Electric
flexible wiring, heat resistant up to +105°C

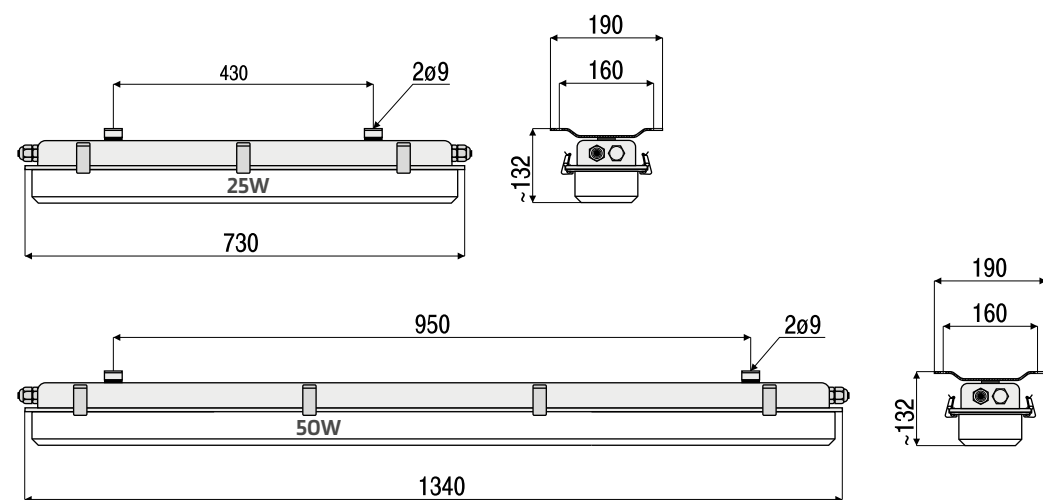
Housing
zinc coated steel or stainless steel,
powder coated white

Cable entry
max 4 cable glands, see drawing A

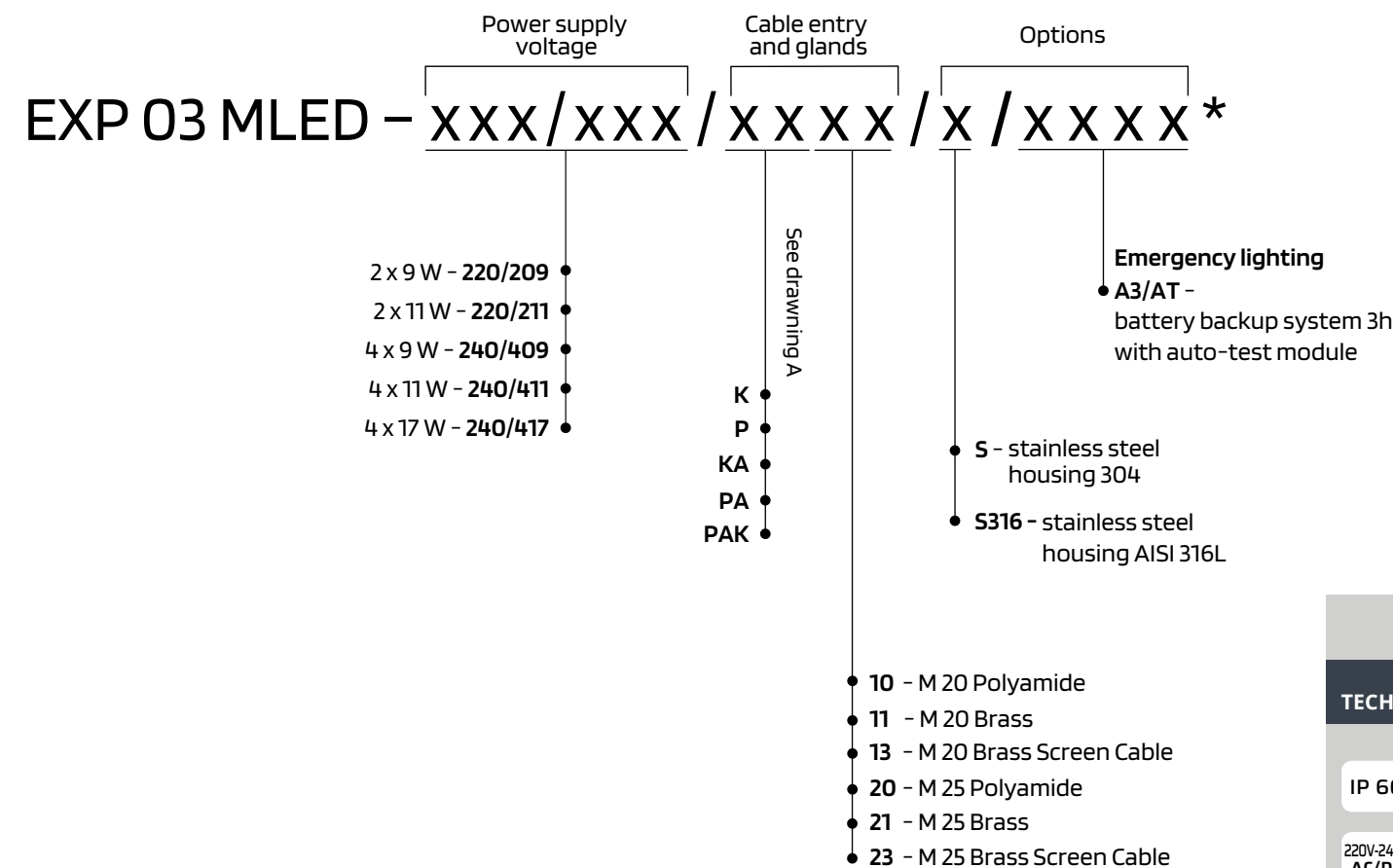
Diffuser
clear polycarbonate

Mounting
2 brackets with 2 mounting holes ø 9 mm

DIMENSIONS [mm]



ORDER SPECIFICATION

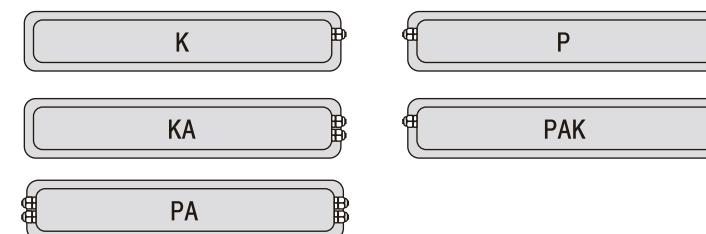


*Remarks: Other types of brackets on request.

Example of type description

EXP 03 MLED220/209/840/P11/S - light fitting with LED source, 2x9W, supply voltage 220-240V AC/DC, through wiring (2 brass cable glands M20), stainless steel 304 housing

A. Cable entry



TECHNICAL DATA

- IP 66
- IP 67
- 220V-240V AC/DC
- 20°C
- +40°C
- Ex Zone 2,22

OPTIONS

- Battery Backup System **3h**
- Stainless Steel Housing
- SC-Glands for screen cable





Type	Light source power / lamp base	Light source	Weight
EXP 03-2180	2 x 18 W / G 13	fluorescent lamp	6,1 kg
EXP 03-2360	2 x 36 W / G 13	fluorescent lamp	8,3 kg

Explosionproof luminaire, surface 2x18W; 2x36W

Application
hazardous areas zone 2,22

Lamps (not included)
fluorescent lamp 18W/36W

Ex marking
II 3G Ex nA IIC T5 Gc
II 3D Ex t IIIC T60°-65°C IP 66/67 Dc

Electric
flexible wiring, heat resistant up to +105°C

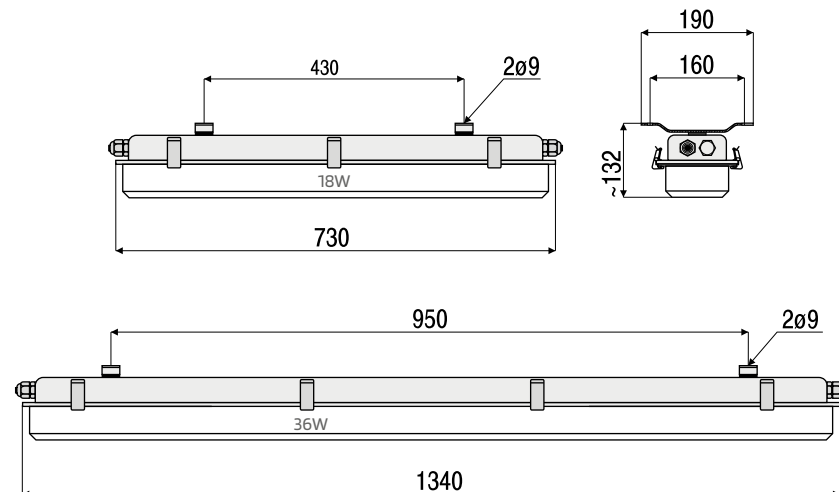
Housing
zinc coated steel or stainless steel,
powder coated white

Cable entry
max 4 cable glands, see drawing A

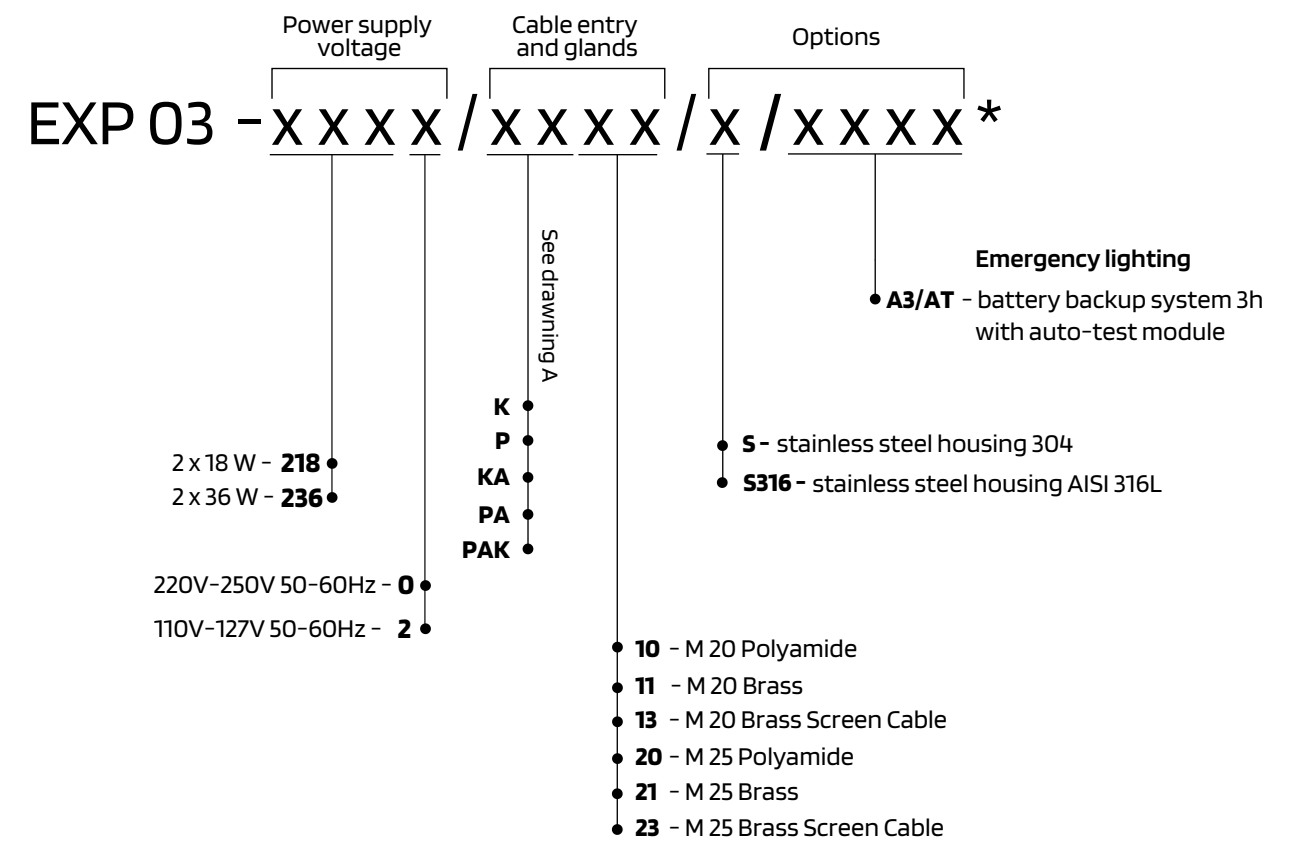
Diffuser
clear polycarbonate

Mounting
2 welded brackets with 2 mounting holes ø 9 mm

DIMENSIONS [mm]



ORDER SPECIFICATION

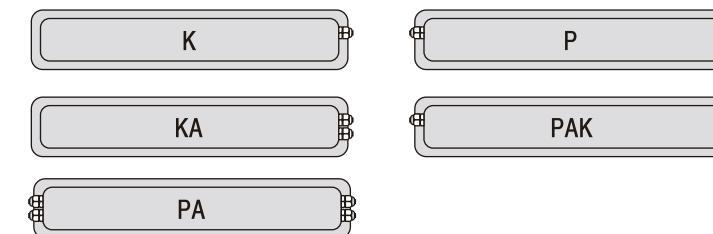


*marking on the label may differ from the order specification

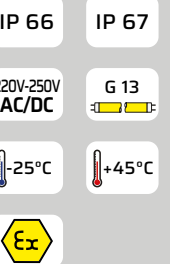
Example of type description

EXP 03 - 2180/PA10/S - explosion proof light fitting for two fluorescent lamps 18W with socket G13; supply voltage 220V-250V AC/DC; through wiring with 4 polyamide M20 glands; stainless steel housing 304.

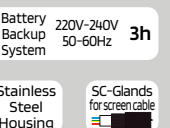
A. Cable entry



TECHNICAL DATA



OPTIONS



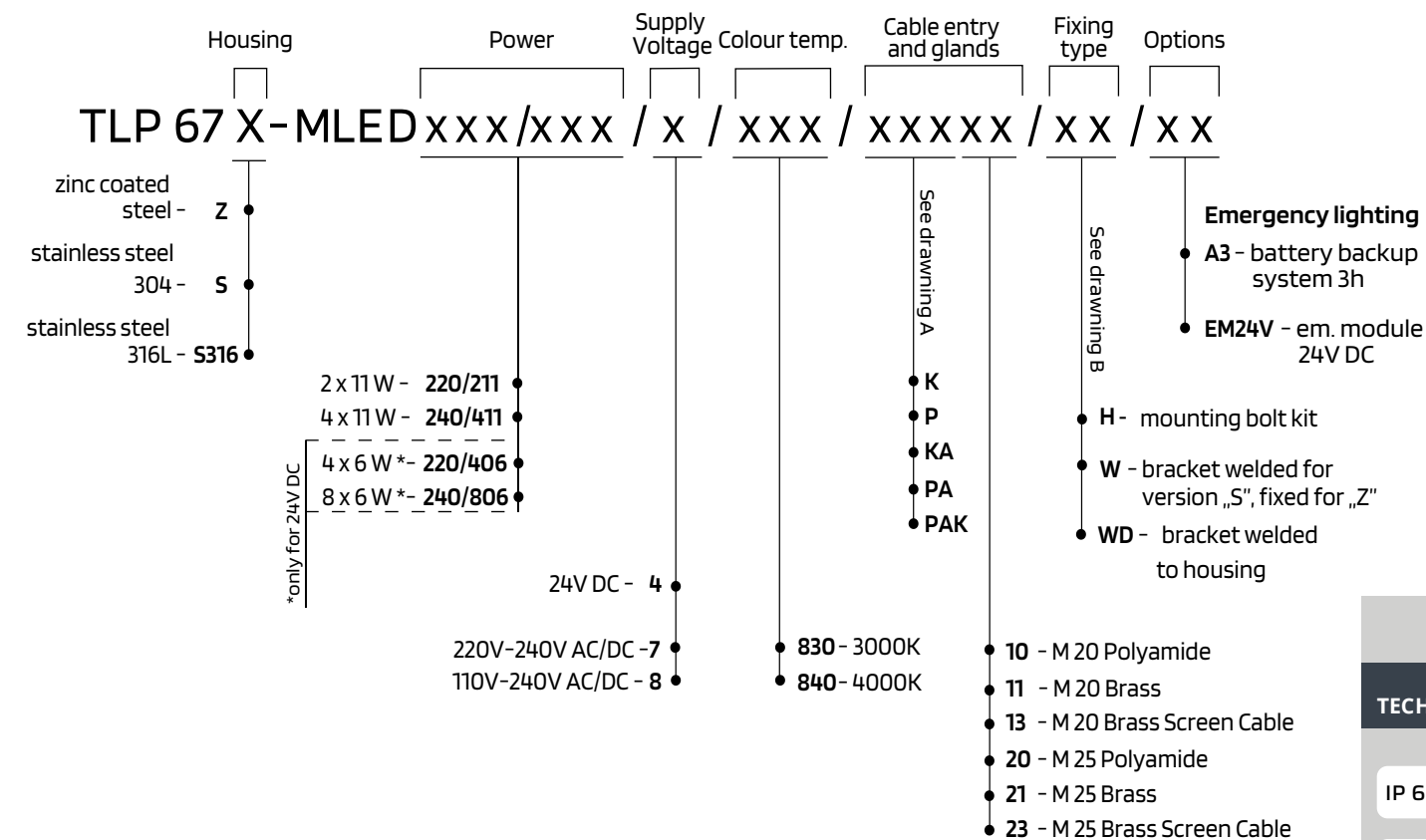


TECHNICAL / OUTDOOR

TLP 67 MLED



ORDER SPECIFICATION



Type	Wattage	Light source	Lumens	Weight
TLP 67-MLED220/211/...	2 x 11 W		2 x 1250 lm	3,9 kg
TLP 67-MLED240/411/...	4 x 11 W		4 x 1250 lm	4,2 kg
TLP 67-MLED220/406/...	4 x 6 W (24V DC)	LED	4 x 770 lm	3,5 kg
TLP 67-MLED240/806/...	8 x 6 W (24V DC)		8 x 770 lm	4,0 kg

Watertight luminaire, surface 2x11W / 4x11W / 4x6W / 8x6W LED

Application

Watertight luminaire for decks, engine rooms, holds, storage yards, working spaces, industrial areas, etc.

Diffuser

polycarbonate, clear

Approvals

according to the rules of relevant classification societies, additional IEC

Electric

flexible wiring, heat resistant up to +105°C

Cable entry

max 4 cable glands, see drawing A

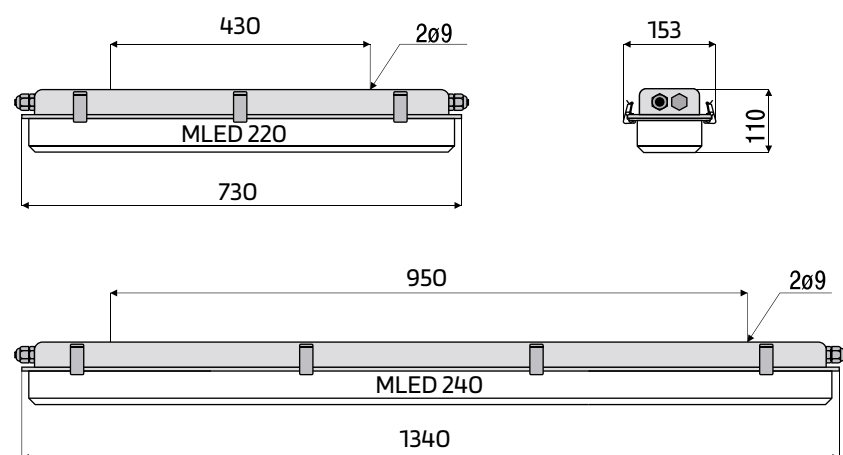
Housing

zinc coated steel or stainless steel
powder coated white

Mounting

See drawing B

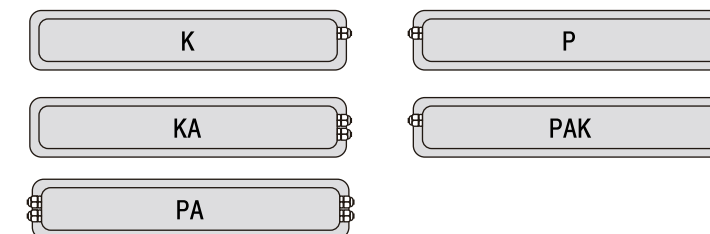
DIMENSIONS [mm]



Example of type description

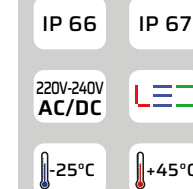
TLP 67S-MLED220/211/7/830/P11/W - stainless steel 304 light fitting with LED panels (2x11W), power supply 220-240V AC/DC; light color temp.: 3000K; through wiring (2 brass glands M20); fixing - two „w“ brackets.

A. Cable entry

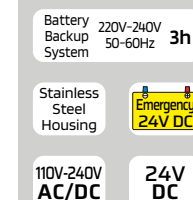


M 20			M 25		
Polyamide	Brass	Brass SC	Polyamide	Brass	Brass SC
Cable dia. 6-12 /mm/	Cable dia. 8-14,5 /mm/	Cable dia. 7-12,5 /mm/	Cable dia. 11-17 /mm/	Cable dia. 9-17 /mm/	Cable dia. 9-17 /mm/
10	11	13	20	21	23

TECHNICAL DATA

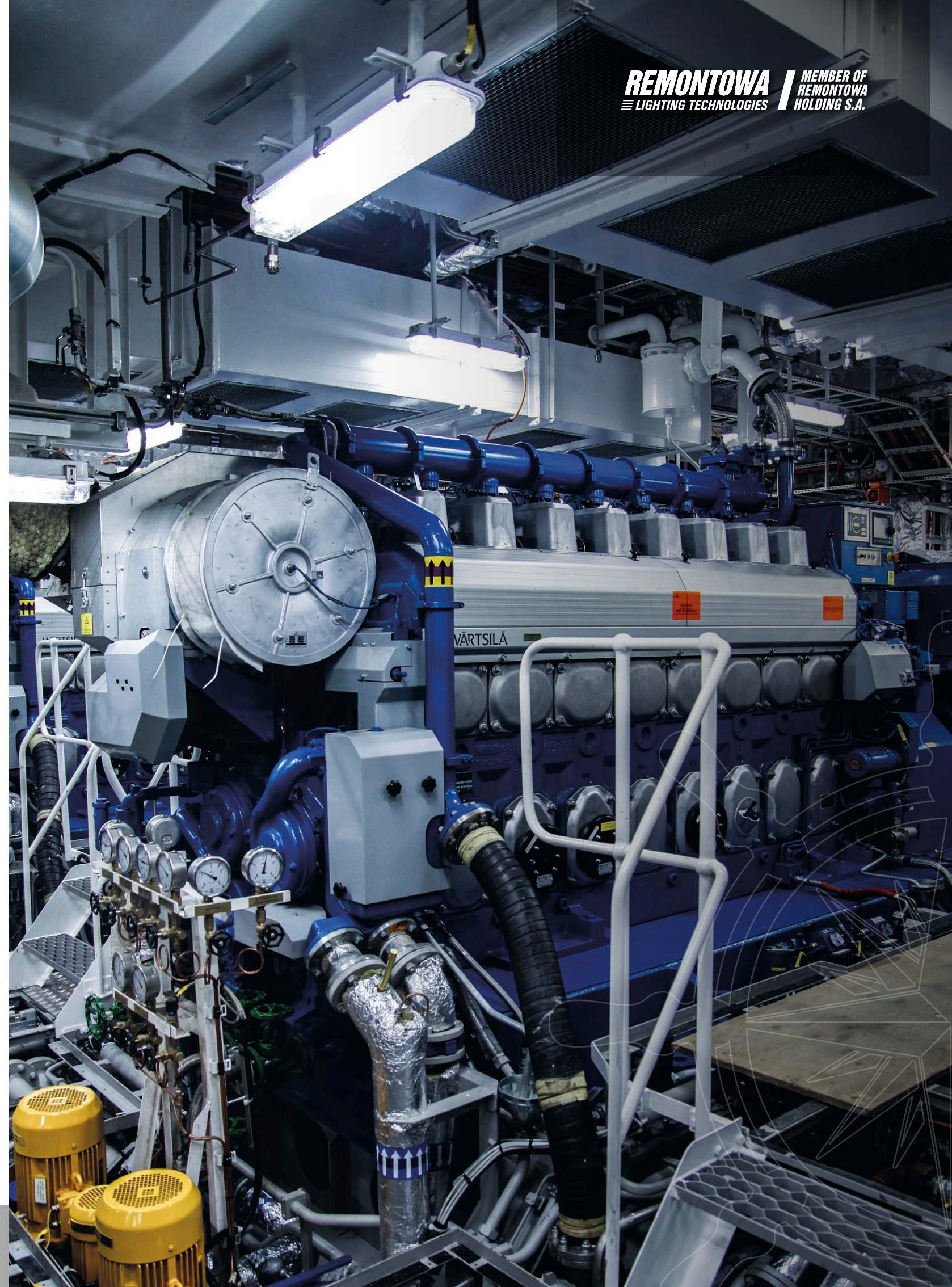
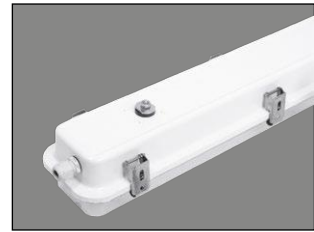
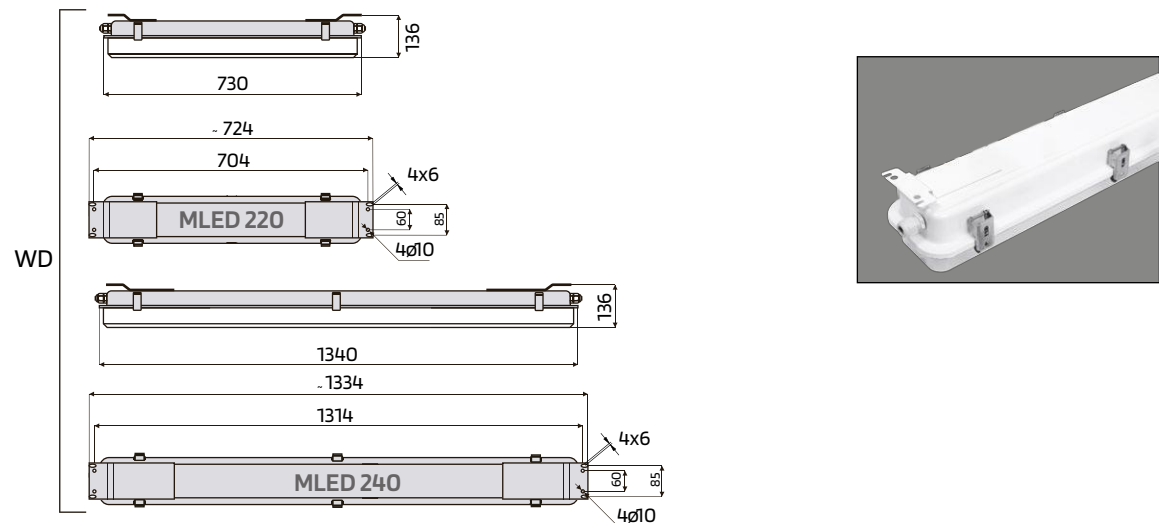
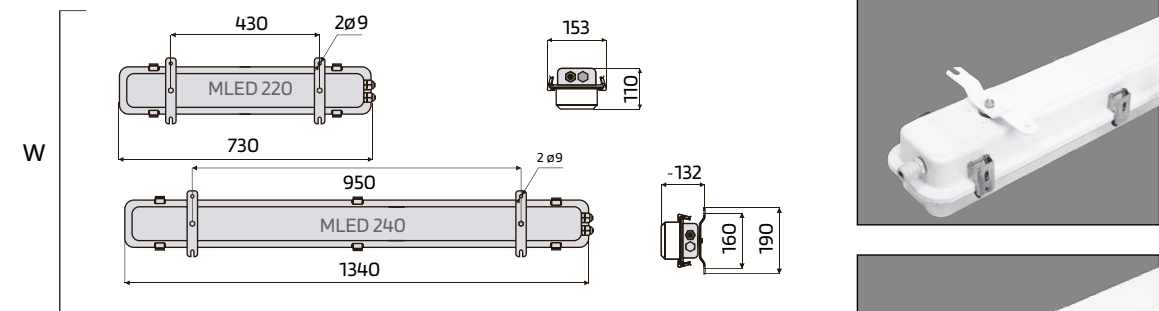
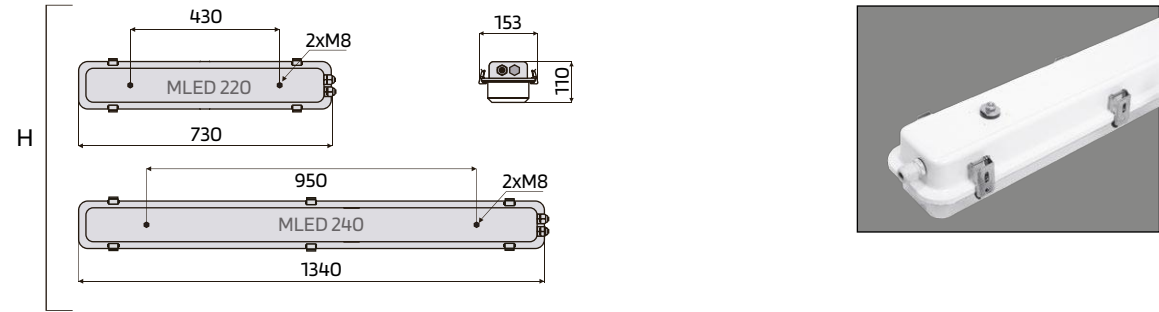


OPTIONS



TLP 67
MLED

B. Fixing type



**TLP
67**



Type	Light source power / lamp base	Light source	Weight
TLP 67-118	1 x 18 W / G 13		3,5 kg
TLP 67-218	2 x 18 W / G 13	fluorescent lamp	4,0 kg
TLP 67-136	1 x 36 W / G 13		5,6 kg
TLP 67-236	2 x 36 W / G 13		6,2 kg

Watertight luminaire, surface 1x18W/2x18W; 1x36W/2x36W

Application

watertight luminaire for decks, engine rooms, holds, storage yards, working spaces, in dustrial areas, etc.

Lamps (not included)

fluorescent lamp 18W/36W

Approvals

according to the rules of relevant classification societies, additional IEC

Electric

flexible wiring, heat resistant up to +105°C

Housing

zinc coated steel or stainless steel, powder coated white

Cable entry

max 4 cable glands, see drawing A

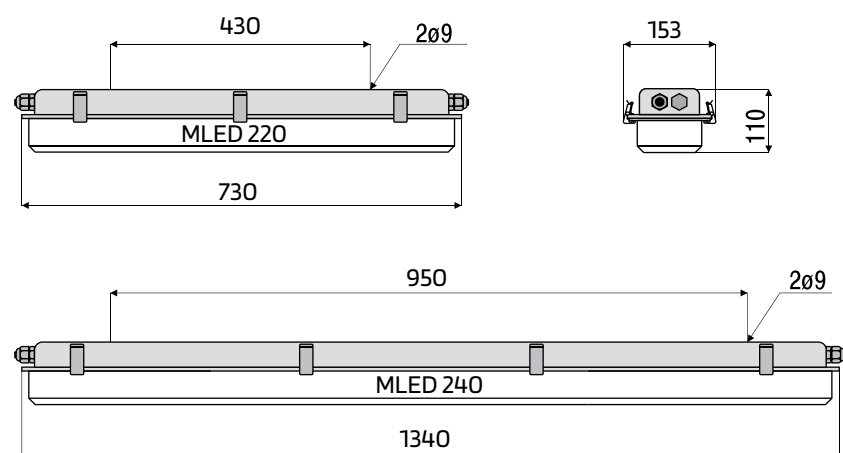
Diffuser

polycarbonate, clear

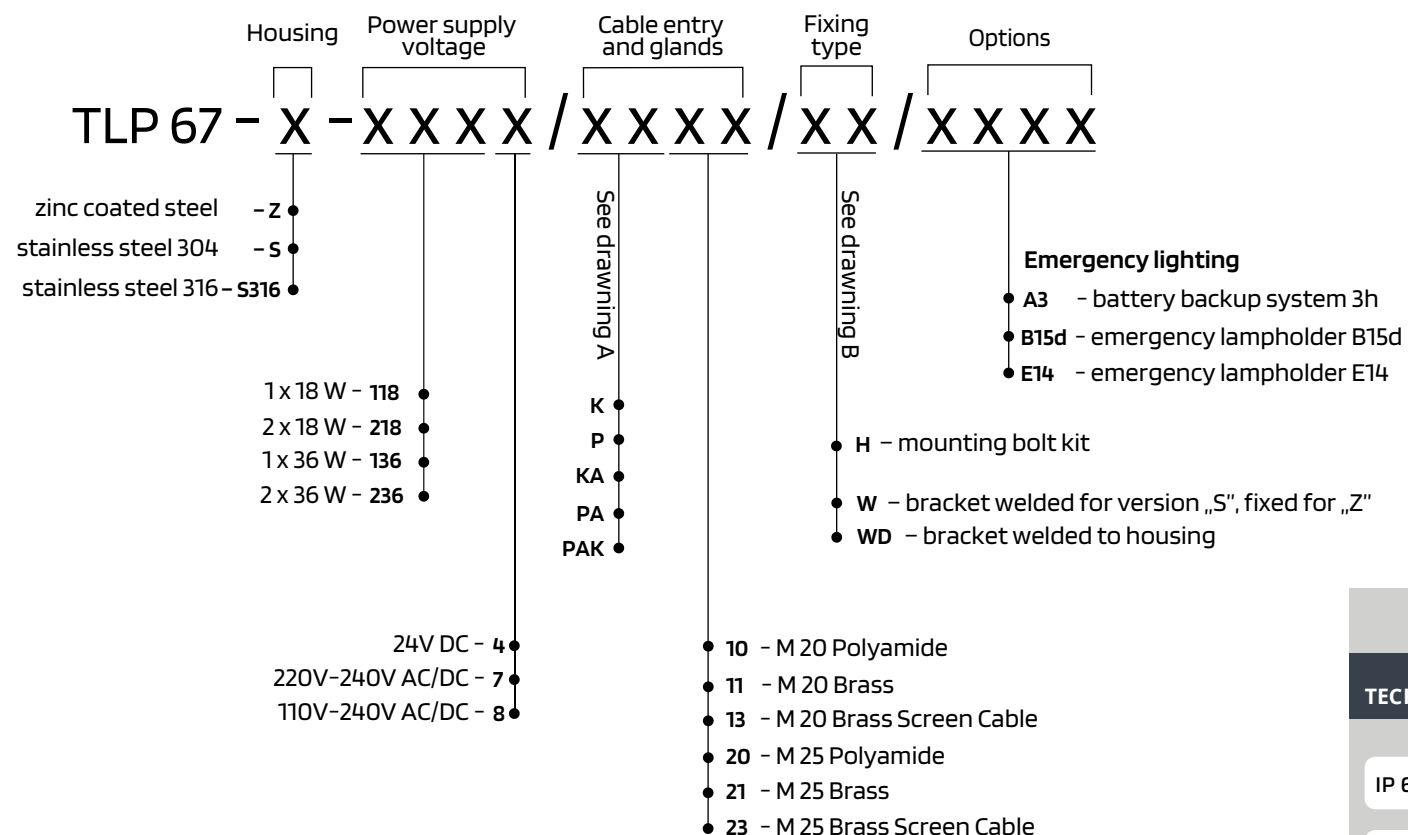
Mounting

See drawing A

DIMENSIONS [mm]



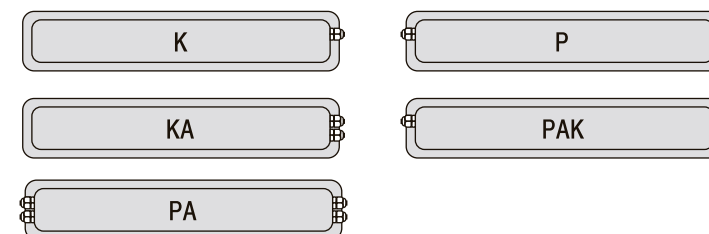
ORDER SPECIFICATION



Example of type description

TLP 67S - 2187/PA10/W - light fitting for two fluorescent lamp 18 W with socket 13; supply voltage 220-240V AC/DC; through wiring 4 glands; fixing - two „w“ brackets; housing of stainless steel 304

A. Cable entry



M 20			M 25		
Polyamide	Brass	Brass SC	Polyamide	Brass	Brass SC
Cable dia. 6-12 /mm/	Cable dia. 8-14,5 /mm/	Cable dia. 7-12,5 /mm/	Cable dia. 11-17 /mm/	Cable dia. 9-17 /mm/	Cable dia. 9-17 /mm/
10	11	13	20	21	23

TECHNICAL DATA

IP 67 IP 66

220-240V AC/DC G 13

-20°C +45°C

OPTIONS

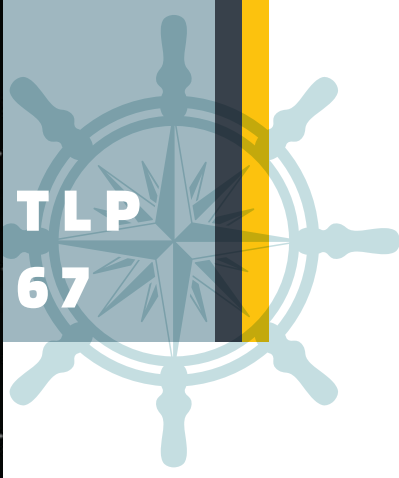
Magnetic Ballast 110V-240V AC/DC

Battery Backup 3h System 24V DC

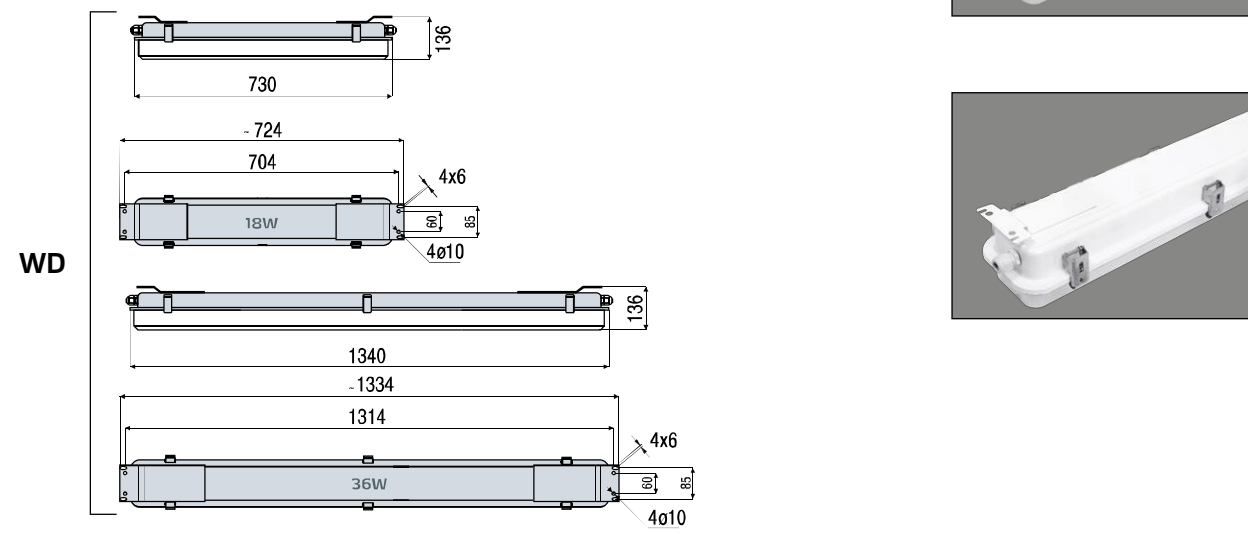
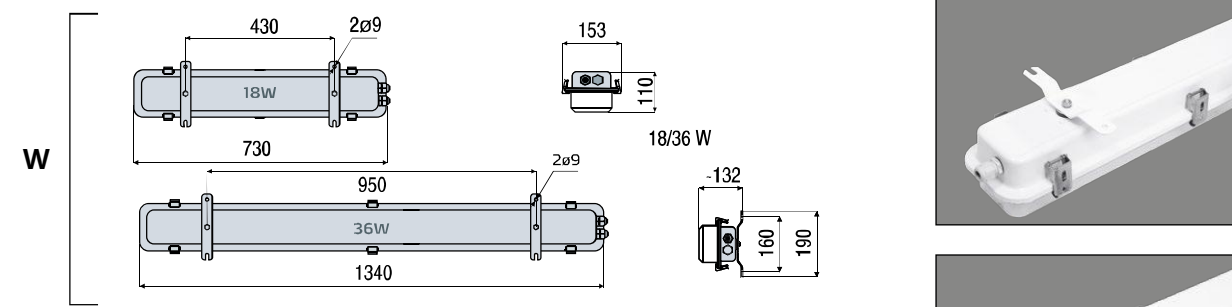
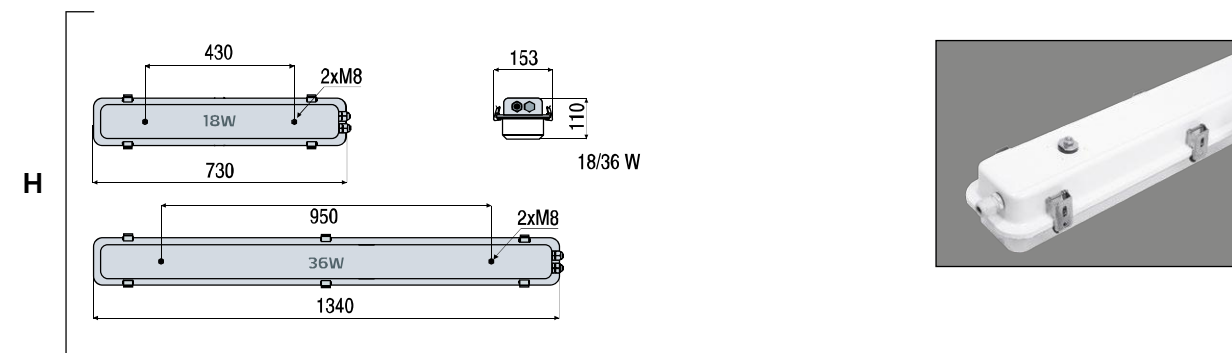
Emergency Lampholder B15d Emergency Lampholder E14

Stainless Steel Housing





B. Fixing type



**TLP
54**



Type	Light source power / lamp base	Light source	Weight
TLP 54 Z-1187	1 x 18W / G13	fluorescent lamp	3,5 kg
TLP 54 Z-2187	2 x 18W / G13		4,0 kg
TLP 54 Z-1367	1 x 36W / G13		5,6 kg
TLP 54 Z-2367	2 x 36W / G13		6,2 kg

Multipurpose luminaire, surface 1x18W/2x18W; 1x36W/2x36W

Application
multipurpose luminaire for engine rooms, holds, storage yards, working spaces, industrial areas, etc.

Approvals
according to the rules of relevant classification societies, additional IEC

Housing
zinc coated steel, seamless deep drawn, powder coated white

Diffuser
polycarbonate, clear

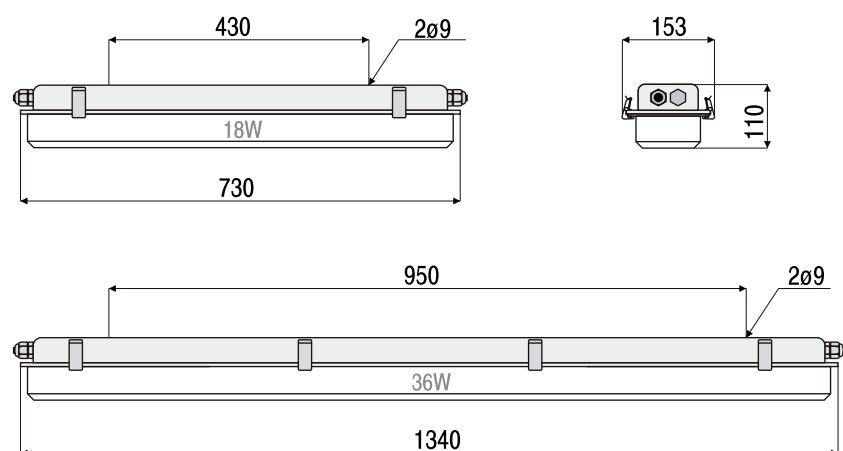
Lamps (not included)
fluorescent lamp 18W or 36W

Electric
flexible wiring, heat resistant up to +105°C

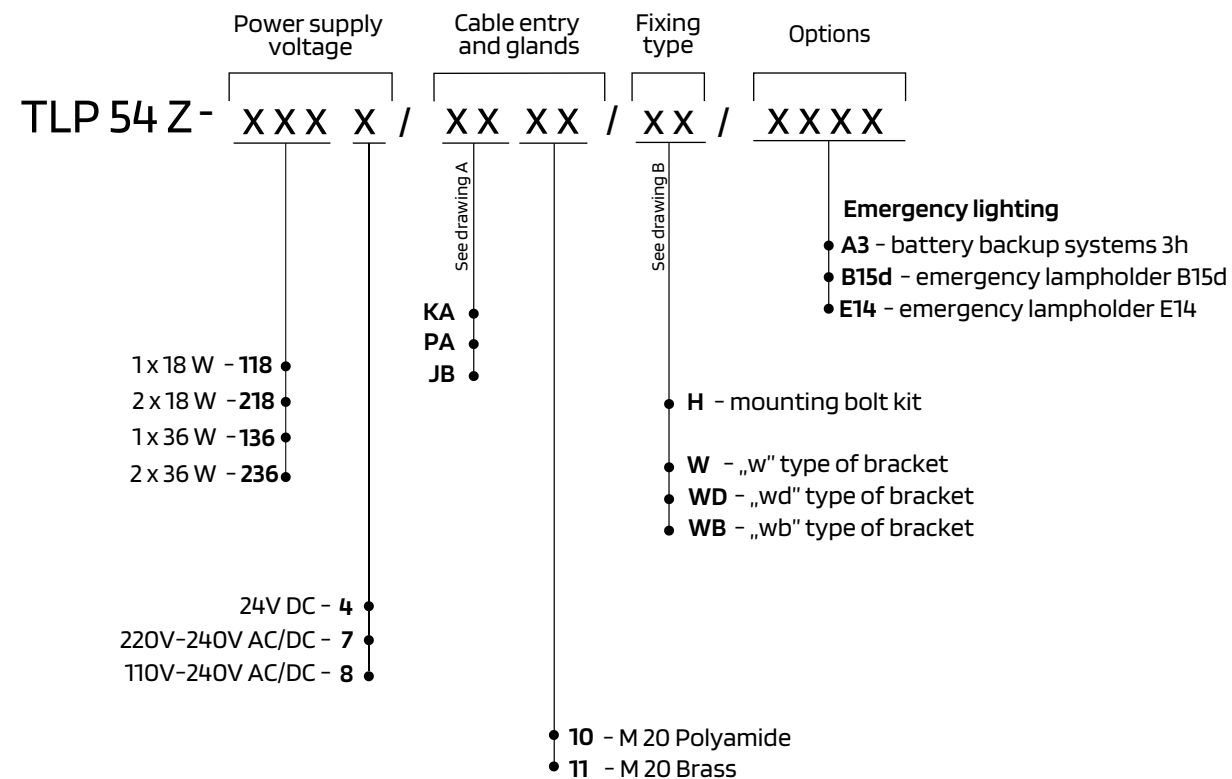
Cable entry
max 4 cable glands, see drawing A

Mounting
see drawing B

DIMENSIONS [mm]



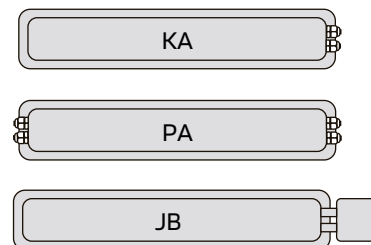
ORDER SPECIFICATION



Example of type description

TLP 54Z - 2187/PA10/W light fitting for two fluorescent lamps 18W with socket G13; supply voltage 220-240V AC/DC; through wiring; fixing - two „w” brackets.

A. Cable entry



Luminaire is equipped with:
1) KA version - 2 glands and 1 blanking plug;
2) PA version - 4 glands and 2 blanking plugs;
3) JB version - outside Junction box, not suitable with WD brackets

M 20	
Polyamide	Brass
Cable dia. 6-12 /mm/	Cable dia. 8-14,5 /mm/
10	11

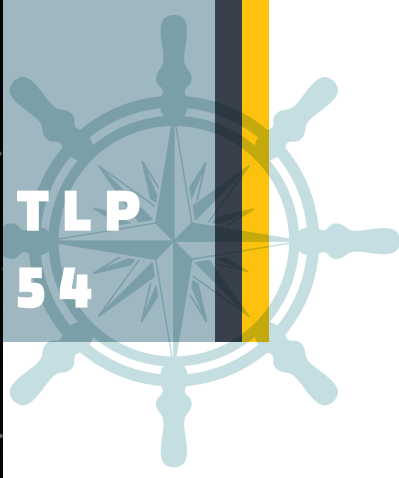
TECHNICAL DATA

IP 55, 220-240V AC/DC, -20°C to +40°C, G 13

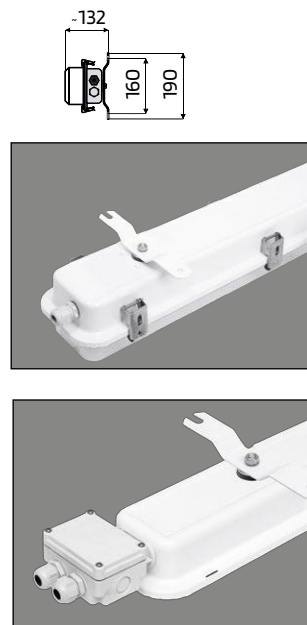
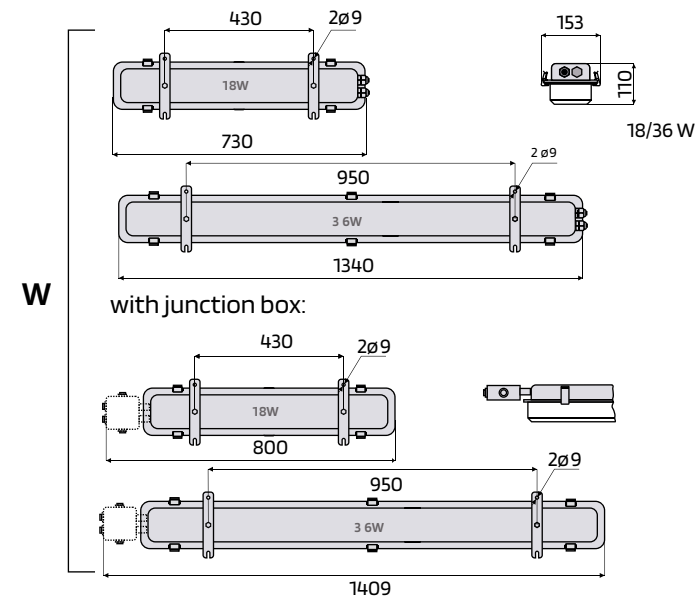
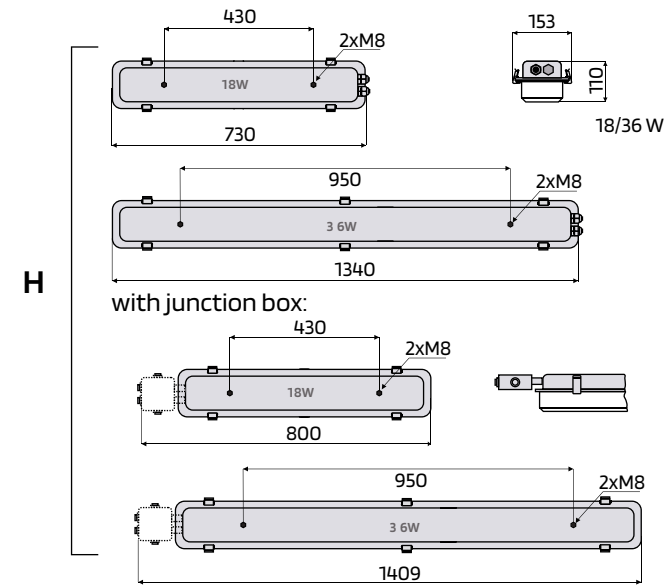
OPTIONS

Electronic Ballast 110V-240V AC/DC, Outside Junction Box 24V DC, Battery Backup System 220V-240V 50-60Hz 3h, Emergency Lampholder B15d, Emergency Lampholder E14

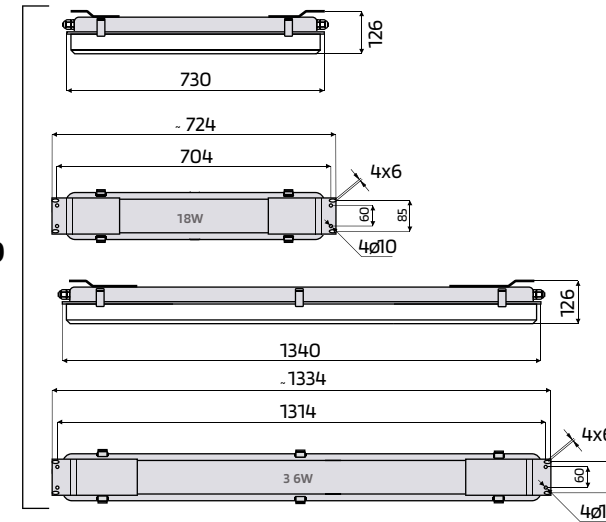




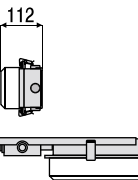
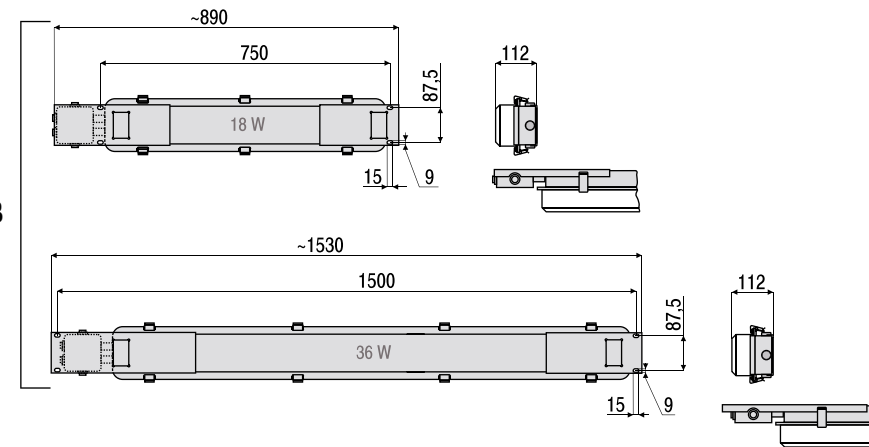
B. Fixing type



WD



WB



KLP 61 MLED



Type	Wattage	Light source	Lumens	Weight
KLP 61-220/211/MLED	2 x 11 W	LED	2 x 1250 lm	4,2 kg
KLP 61-240/411/MLED	4 x 11 W		4 x 1250 lm	6,3 kg

Kitchen Luminaire, surface, 2x11W/4x11W LED

Application

galley, kitchen, pantries, provision rooms

Gasket

silicone rubber

Approvals

according to the rules of relevant classification societies, additional IEC

Electric

flexible wiring, heat resistant up to +105°C

Baseplate

stainless steel

Cable entry

2 plastic cable glands M 20, cable max \varnothing 12 mm

Diffuser

polycarbonate, clear

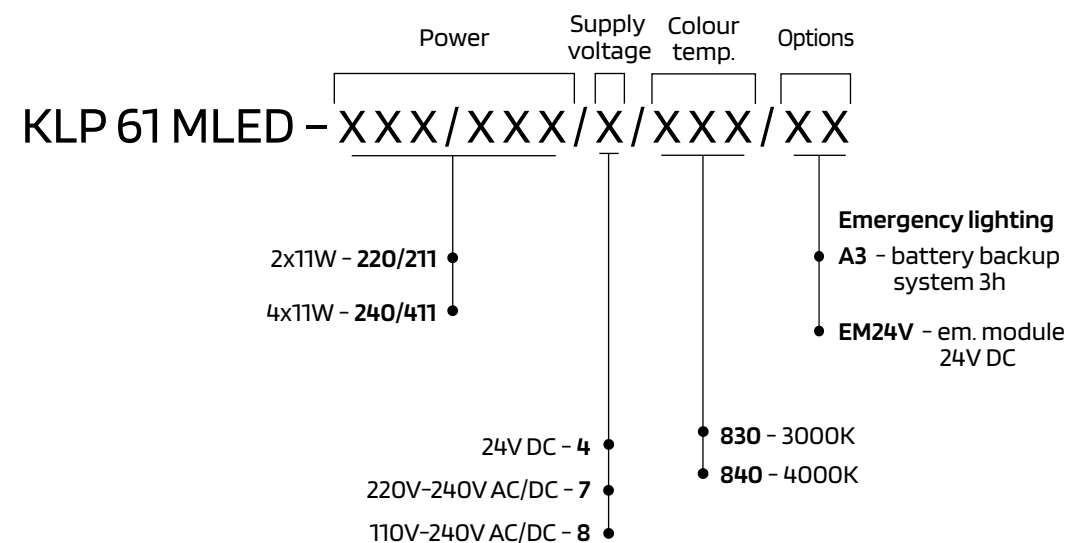
Mounting

6 or 8 mounting holes, \varnothing 5 mm

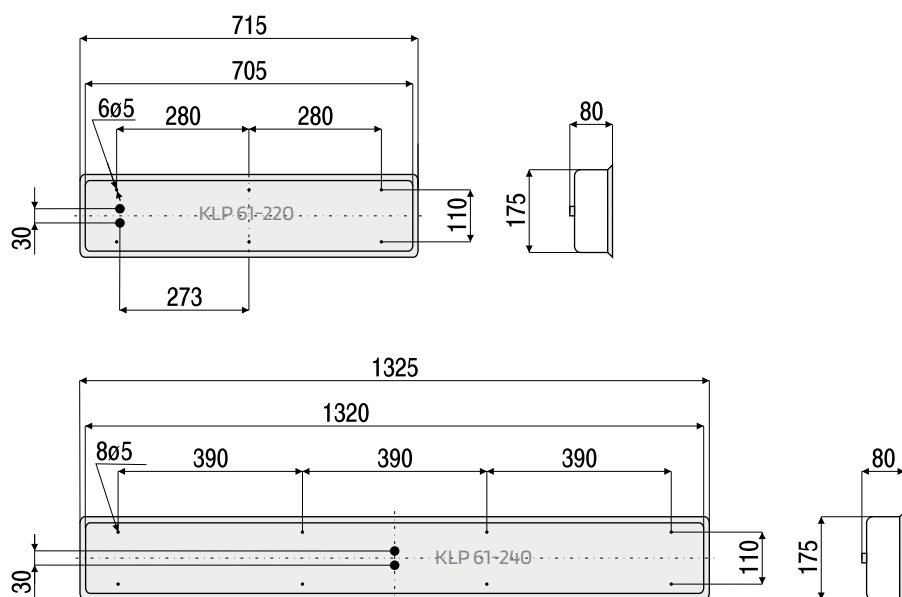
Example of type description

KLP 61 MLED 220/211/7/830 - light fitting with LED source; 2x11W; colour temp. 3000K; supply voltage 220V-240V AC/DC.

ORDER SPECIFICATION



DIMENSIONS [mm]



TECHNICAL DATA

IP 55 220-240V AC/DC

-20°C +45°C



OPTIONS

110V-240V AC/DC 24V DC

Battery Backup 3h System Emergency 24V DC



KLP 61



Type	Light source power / lamp base	Light source	Weight
KLP 61 - 2180	2 x 18 W / G 13	fluorescent lamp	4,6 kg
KLP 61 - 2360	2 x 36 W / G 13	fluorescent lamp	6,7 kg

Kitchen Luminaire, surface 2x18W/2x36W

Application

galleys, kitchen, pantries, provision rooms

Approvals

according to the rules of relevant classification societies, additional IEC

Baseplate

stainless steel

Diffuser

polycarbonate, clear

Gasket

silicone rubber

Lamps (not included)

fluorescent lamp 18W / 36W

Electric

flexible wiring,
heat resistant up to +105°C

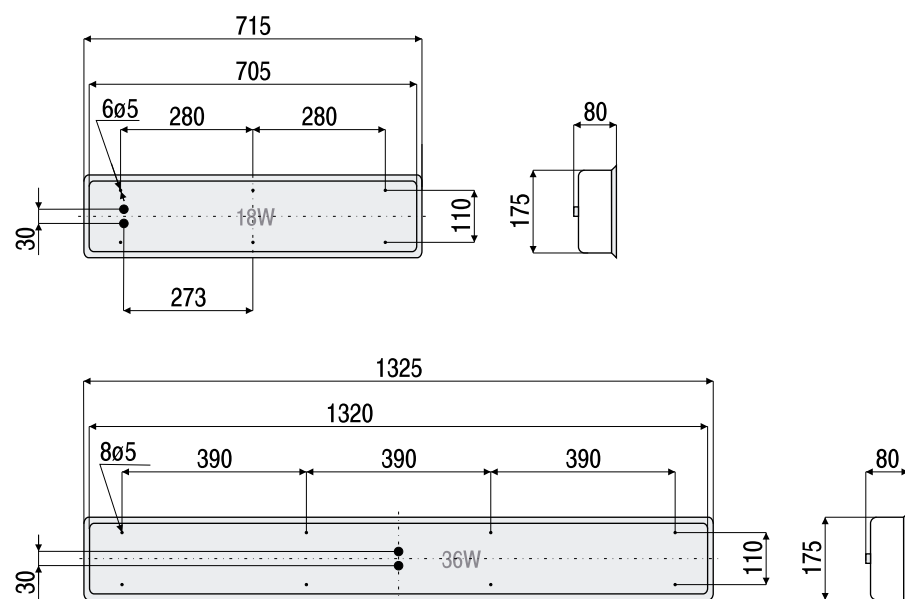
Cable entry

2 plastic cable glands M 20,
cable max \varnothing 12 mm

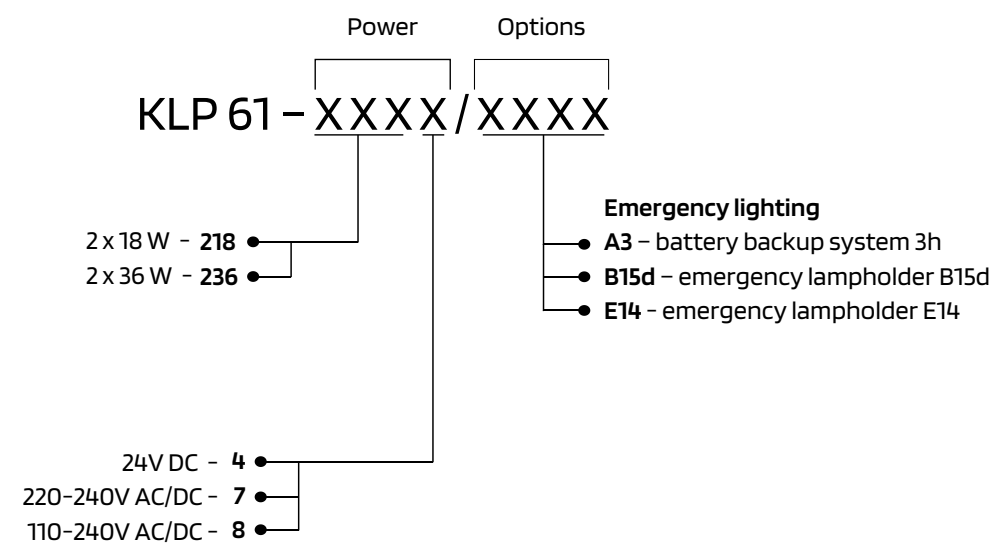
Mounting

6 or 8 mounting holes, \varnothing 5 mm

DIMENSIONS [mm]



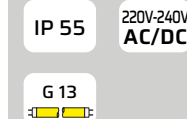
ORDER SPECIFICATION



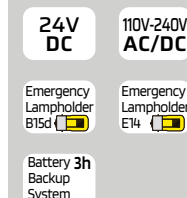
Example of type description

KLP 61 - 2367 light fitting for two fluorescent lamps 36W with socket G13; supply voltage 220-240V AC/DC

TECHNICAL DATA



OPTIONS



KZP 61 MLED



Type	Wattage	Light source	Weight
KZP 61-MLED220/211	2 x 11 W	LED	4,2 kg
KZP 61-MLED240/411	4 x 11 W		6,3 kg

Coldroom Luminaire, surface, 2x11W/4x11W LED

Application
coldroom, refrigerated areas, freezing rooms

Approvals
according to the rules of relevant classification societies, additional IEC

Baseplate
stainless steel

Ambient temp.
-30°C to +45°C

Diffuser
polycarbonate, clear

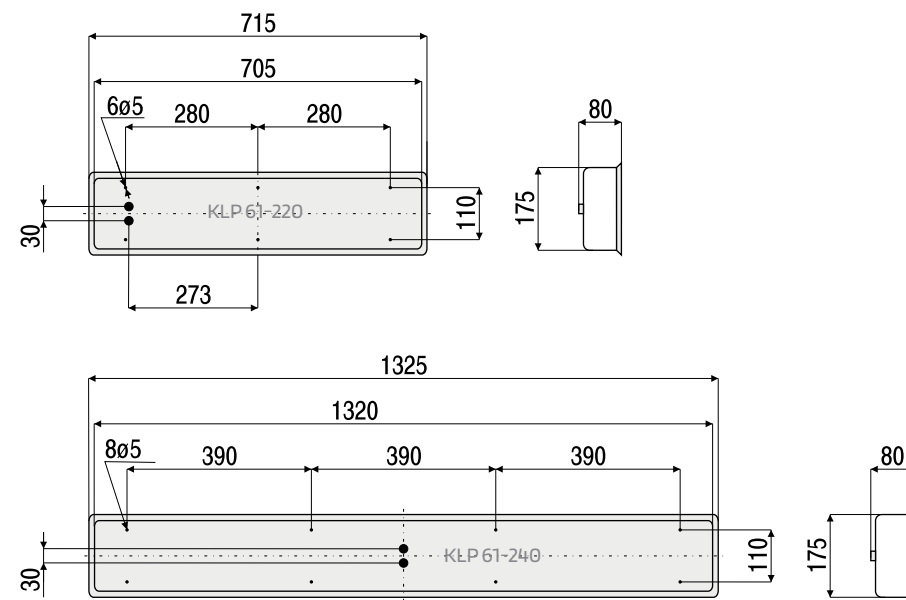
Gasket
silicone rubber

Electric
flexible wiring, heat resistant up to +105°C

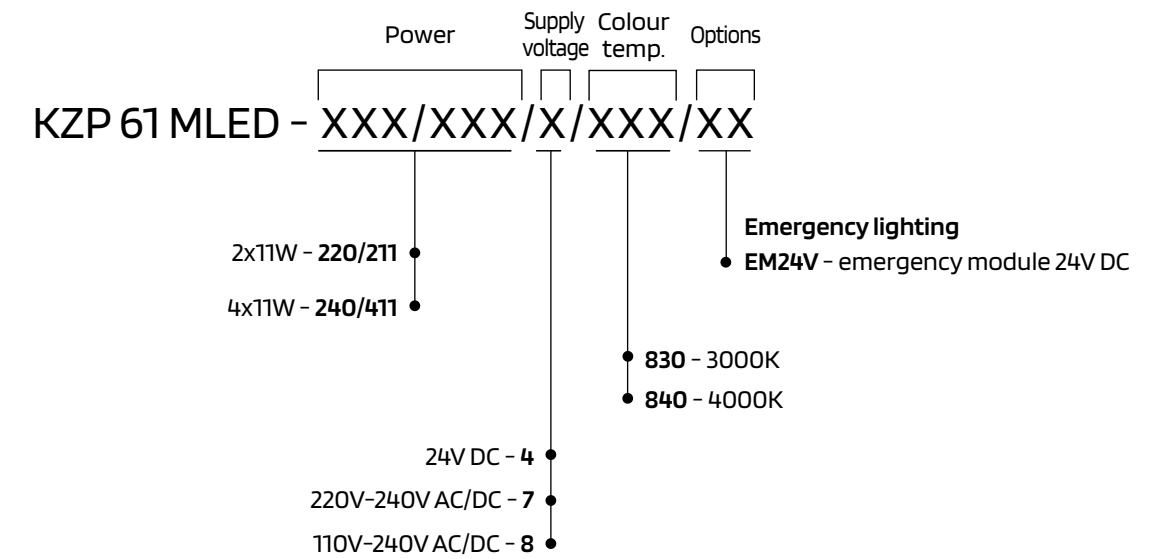
Cable entry
2 plastic cable glands M 20, cable max ø 13 mm

Mounting
6 or 8 mounting holes, ø 5 mm

DIMENSIONS [mm]



ORDER SPECIFICATION



Example of type description

KZP 61 MLED-220/211/7/830 - light fitting with LED source; 2x11W; colour temp. 3000K; supply voltage 220V-240V AC/DC.

TECHNICAL DATA

IP 55 220-240V
50-60Hz

-30°C +45°C

LED

OPTIONS

110V-240V
AC/DC 24V
DC

Emergency
24V DC



KZP 61



Type	Light source power / lamp base	Light source	Weight
KZP 61 - 218	2 x 18 W / G 13	fluorescent lamps	4,6 kg
KZP 61 - 236	2 x 36 W / G 13	fluorescent lamps for low temp.	6,7 kg

Coldroom Luminaire, surface 2x18W/2x36W

Application
coldroom, refrigerated areas, freezing rooms

Gasket
silicone rubber

Approvals
according to the rules of relevant classification societies, additional IEC

Lamps (not included)
fluorescent lamp for low temp. 18W / 36W

Baseplate
stainless steel

Electric
flexible wiring, heat resistant up to +105°C

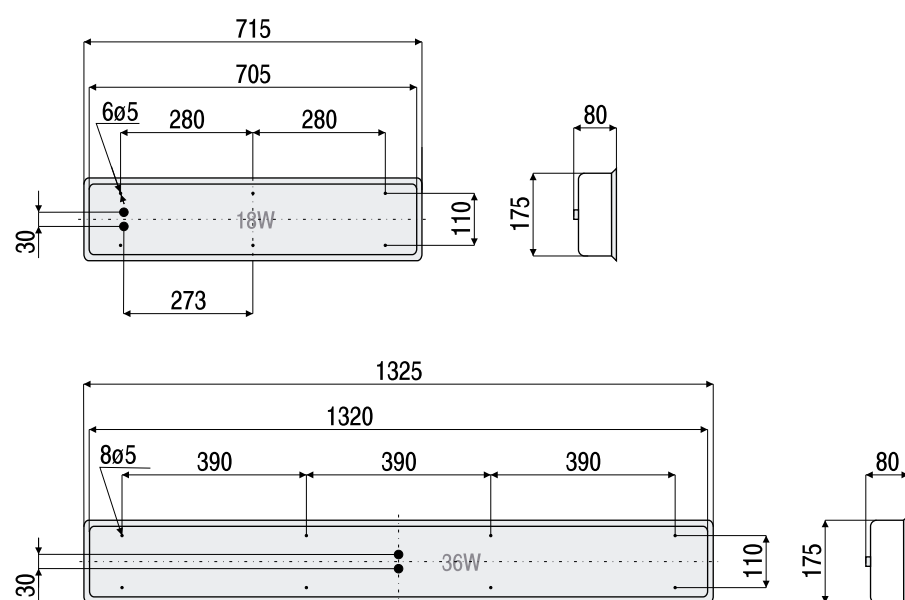
Ambient temp.
-30°C to +45°C

Cable entry
2 plastic cable glands M 20, cable max ø 13 mm

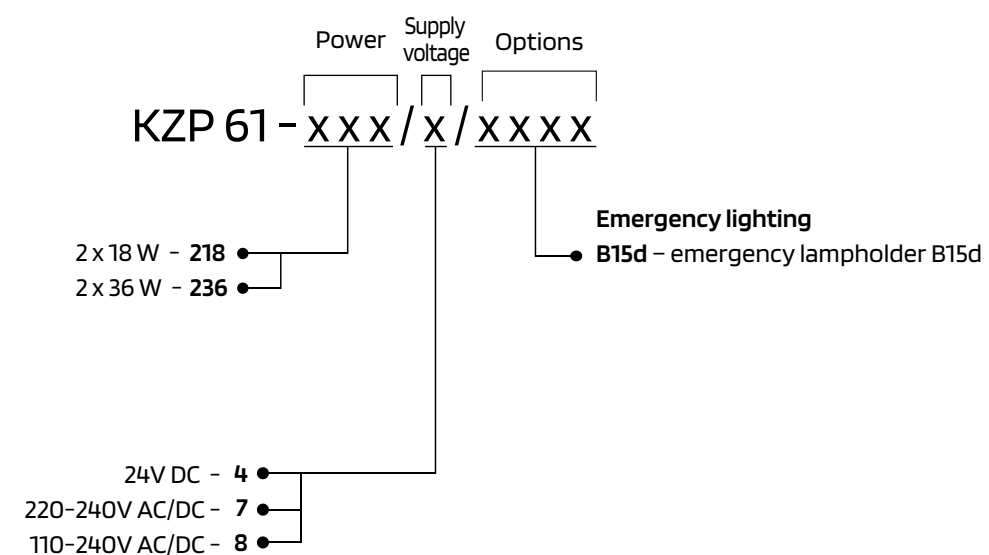
Diffuser
polycarbonate, clear

Mounting
6 or 8 mounting holes, ø 5 mm

DIMENSIONS [mm]



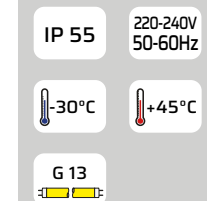
ORDER SPECIFICATION



Example of type description

KZP 61 - 2367 light fitting for two fluorescent lamp 36W with socket G13; supply voltage 220-240V 50-60Hz

TECHNICAL DATA



OPTIONS



TZP 44 MLED



Type	Wattage	Light source	Lumens	Weight
TZP 44-MLED220/211/...	2 x 11 W	LED	2 x 1250 lm	3,9 kg
TZP 44-MLED240/411/...	4 x 11 W		4 x 1250 lm	4,2 kg

Coldroom Luminare, surface, 2x11W/4x11W LED

Application

coldroom, refrigerated areas, freezing rooms

Approvals

according to the rules of relevant classification societies, additional IEC

Housing

zinc coated steel or stainless steel, powder coated white

Diffuser

polycarbonate, clear

Electric

flexible wiring, heat resistant up to +105°C

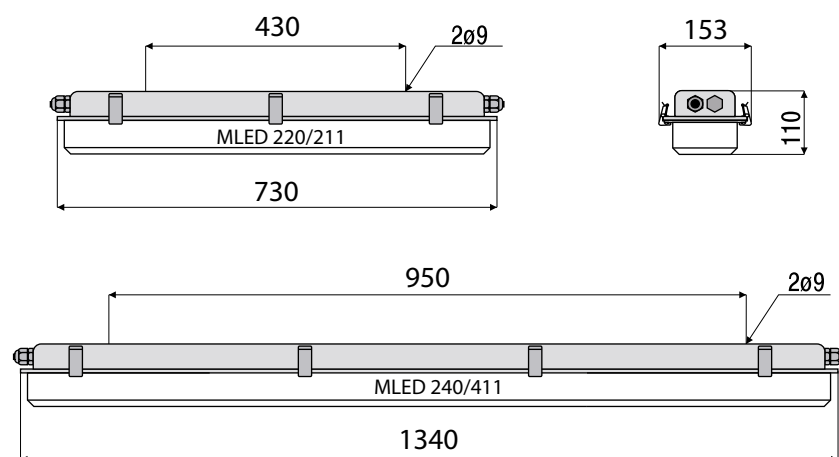
Cable entry

max 4 cable glands, see drawing A

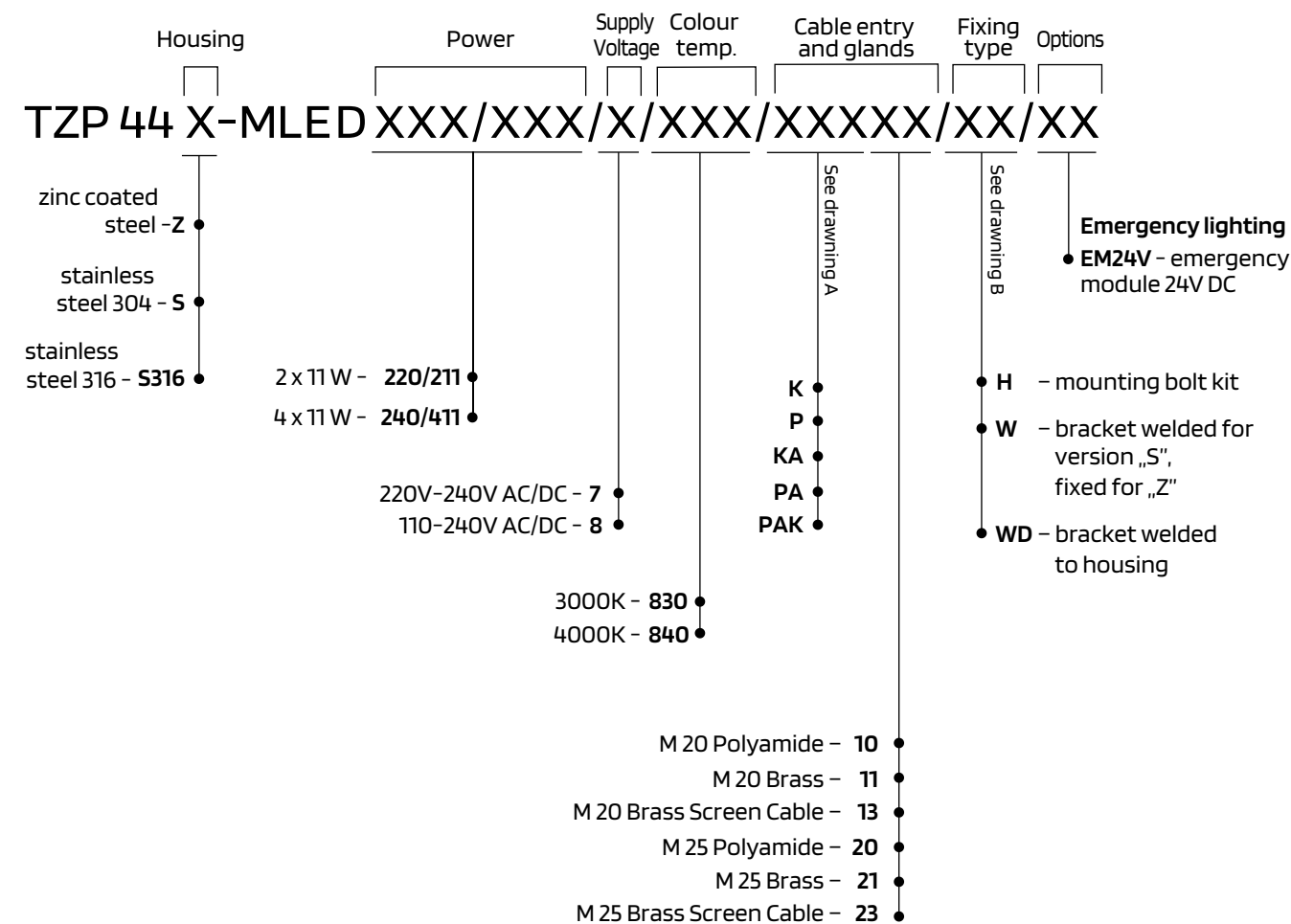
Mounting

See drawing B

DIMENSIONS [mm]



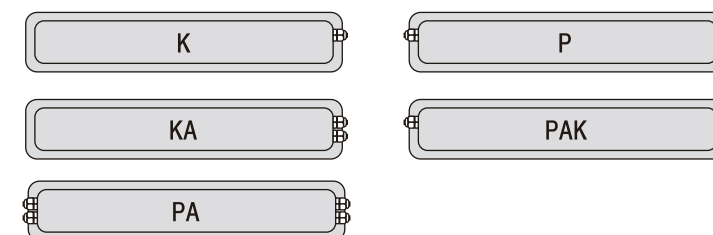
ORDER SPECIFICATION



Example of type description

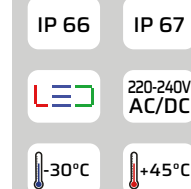
TZP 44S-MLED 220/211/7/830/P1 1/W - stainless steel 304 light fitting with LED panels (2x11W), power supply 220-240V AC/DC; light color temp.: 3000K; through wiring (2 brass glands M20); fixing - two „w“ brackets

A. Cable entry

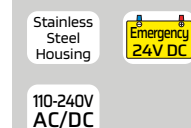


	M 20			M 25		
	Polyamide	Brass	Brass SC	Polyamide	Brass	Brass SC
Cable dia.	6-12 /mm/	8-14,5 /mm/	7-12,5 /mm/	11-17 /mm/	9-17 /mm/	9-17 /mm/
	10	11	13	20	21	23

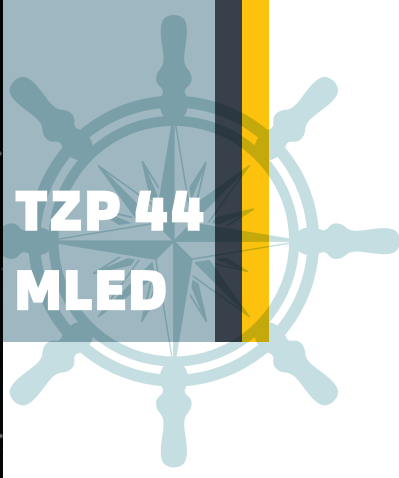
TECHNICAL DATA



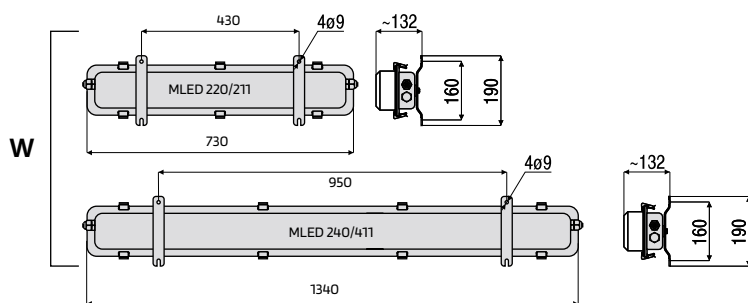
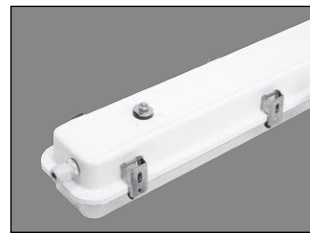
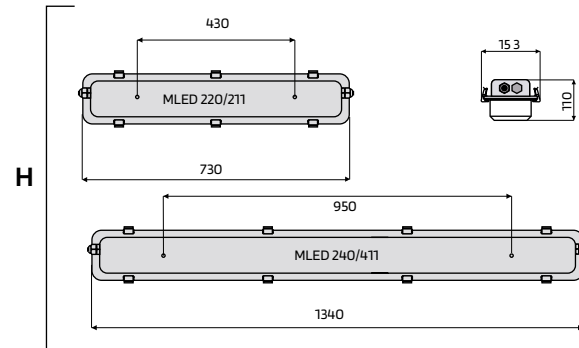
OPTIONS



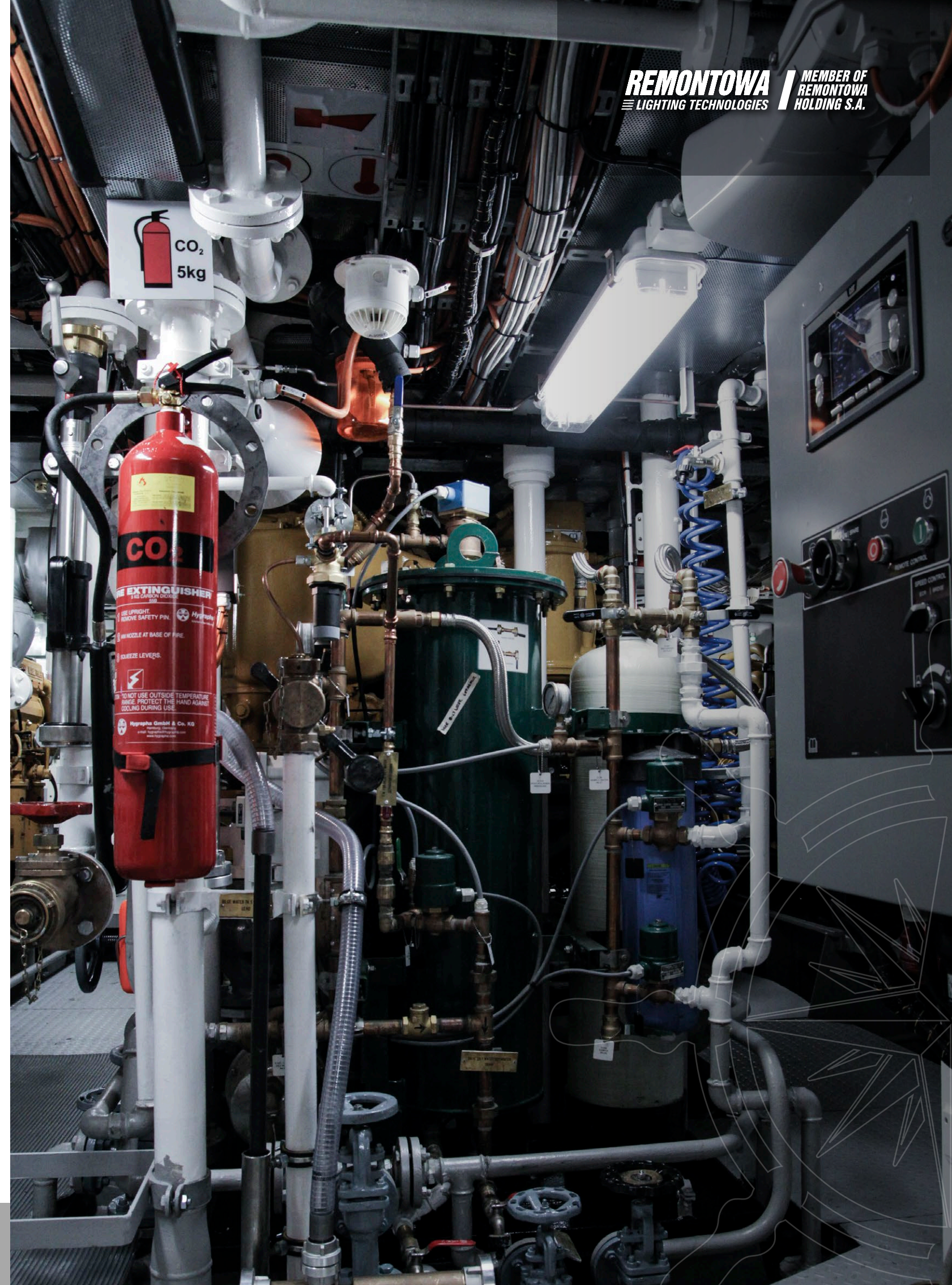
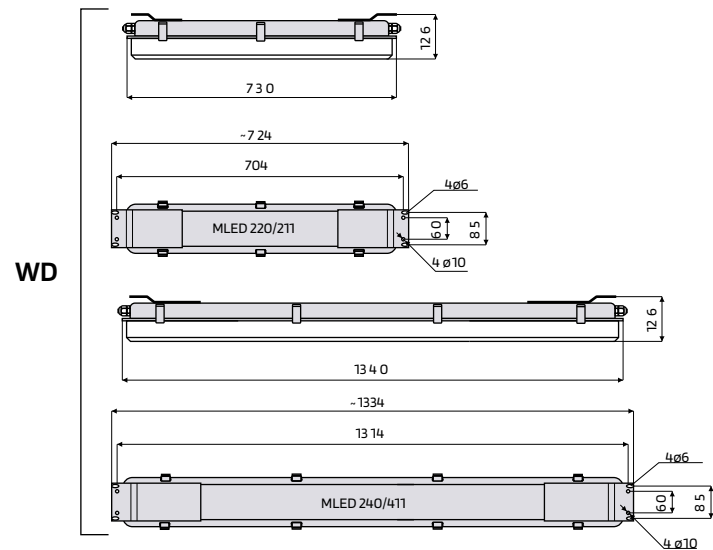
**TZP 44
MLED**



B. Fixing type



welded for „S“ version
fixed for „Z“ version



**TZP
44**



Type	Light source power / lamp base	Light source	Weight
TZP 44 - 118	1 x 18 W / G 13		3,5 kg
TZP 44 - 218	2 x 18 W / G 13	fluorescent lamps for low temp.	4,0 kg
TZP 44 - 136	1 x 36 W / G 13		5,6 kg
TZP 44 - 236	2 x 36 W / G 13		6,2 kg

Coldroom Luminaire, surface 1x18W/2x18W; 1x36W/2x36W

Application

coldroom, refrigerated areas, freezing rooms

Diffuser

polycarbonate, clear

Approvals

according to the rules of relevant classification societies, additional IEC

Lamps (not included)

fluorescent lamps for low temp. 18W/36W

Ambient temp.

-30°C to +45°C

Electric

flexible wiring, heat resistant up to +105°C

Housing

zinc coated steel, seamless deep drawn, powder coated white

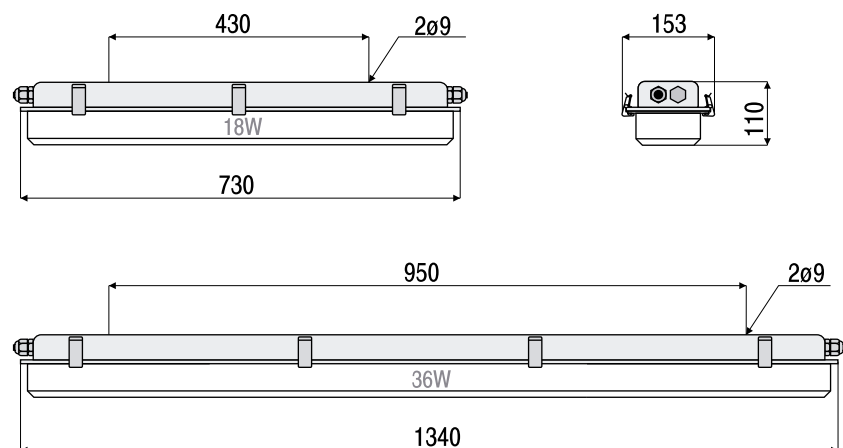
Cable entry

max 4 cable glands, see drawing A

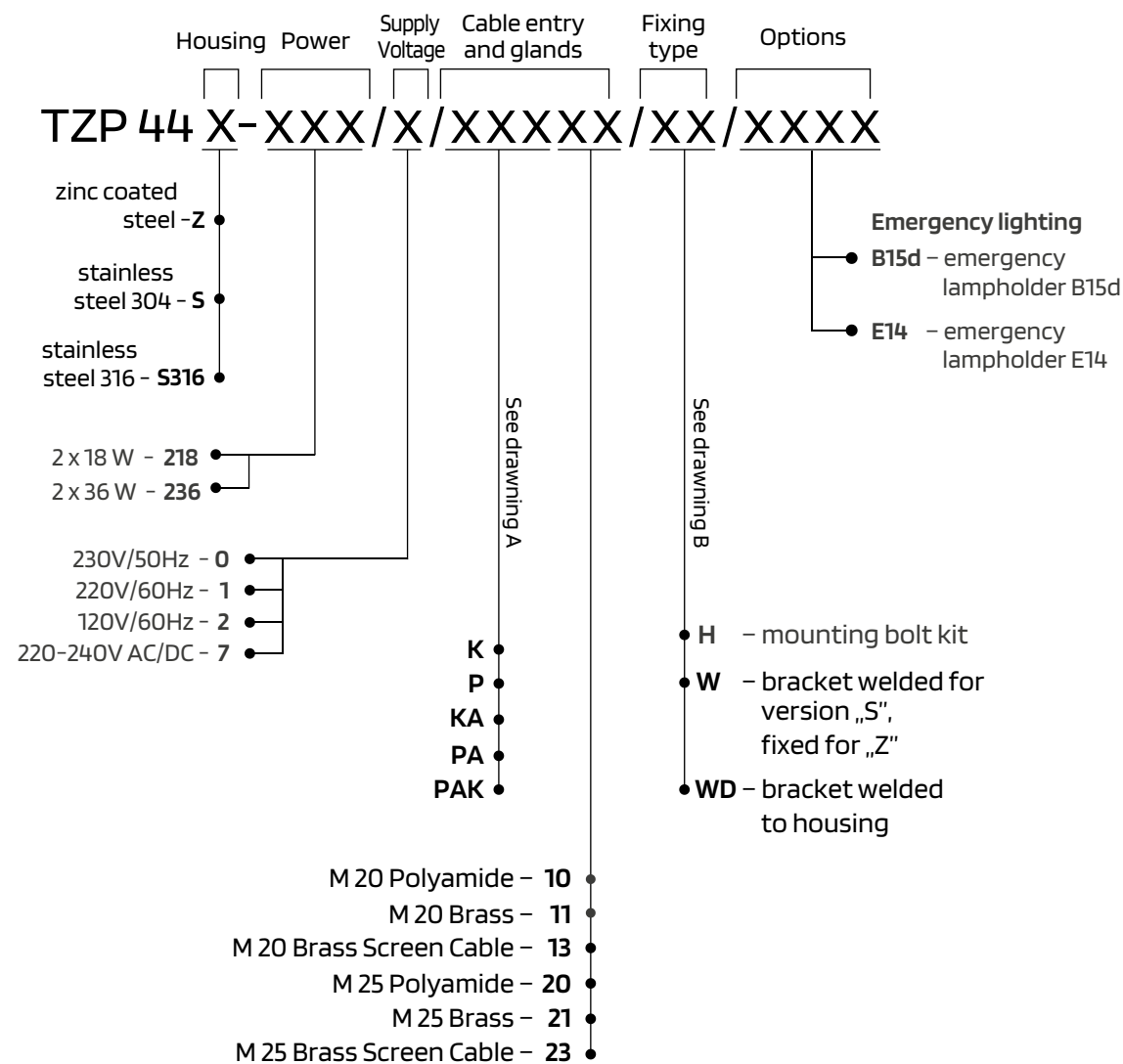
Mounting

2, 4 or 8 mounting holes, ø 9 mm

DIMENSIONS [mm]



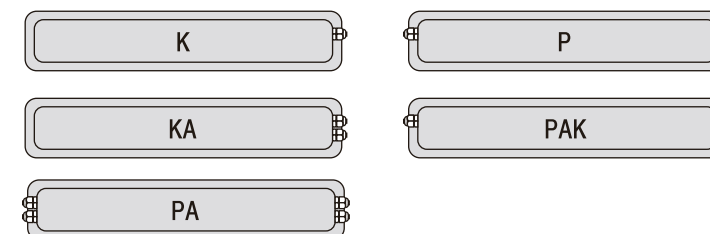
ORDER SPECIFICATION



Example of type description

TZP 44Z-2187/P10/W - light fitting for two fluorescent lamps 18W with socket G13; supply voltage 220-240V AC/DC; through wiring (2 polyamide cable glands M20); fixing- two "W" brackets

A. Cable entry



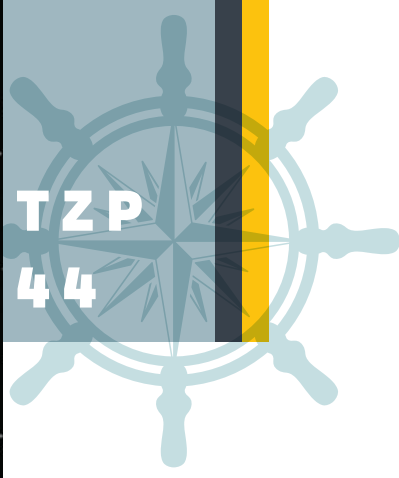
TECHNICAL DATA

- IP 67
- 230V 50Hz
- G 13
- 220-240V AC/DC
- 30°C
- +45°C

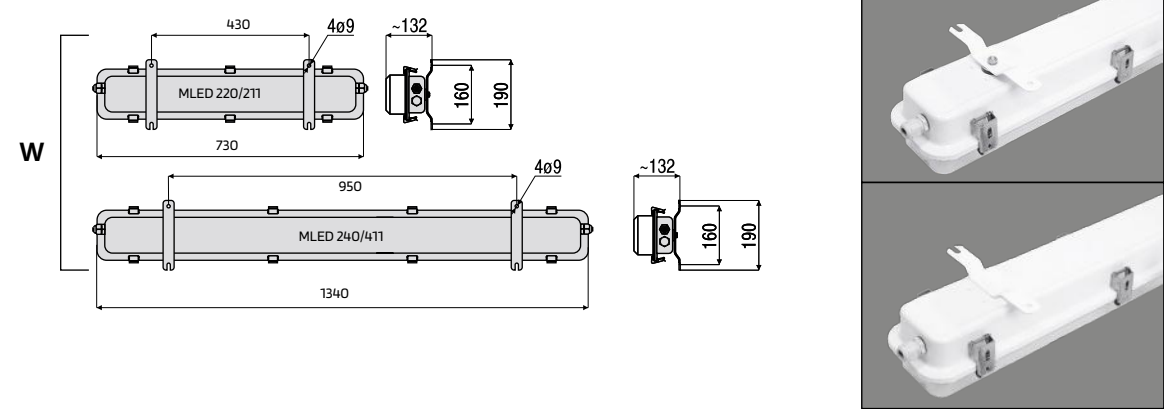
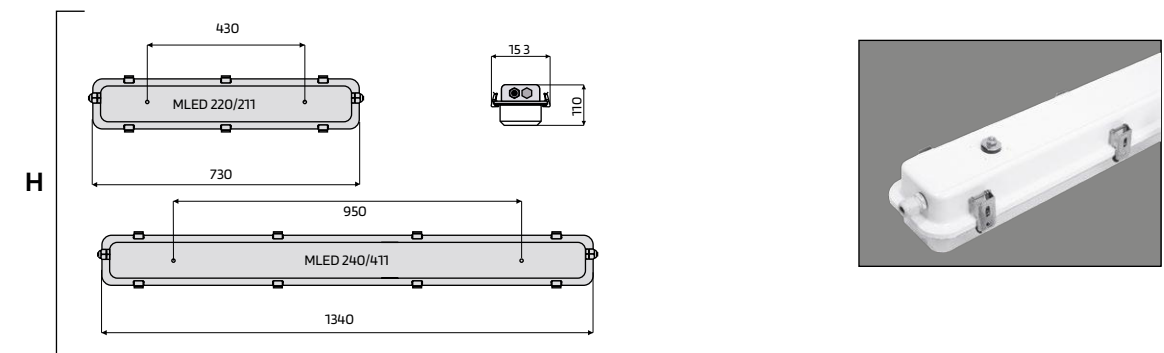
OPTIONS

- 220V 60Hz
- 230V 50Hz
- 120V 60Hz
- SC-Glands for screen cable
- Emergency Lampholder B15d
- Emergency Lampholder E14
- Stainless Steel Housing

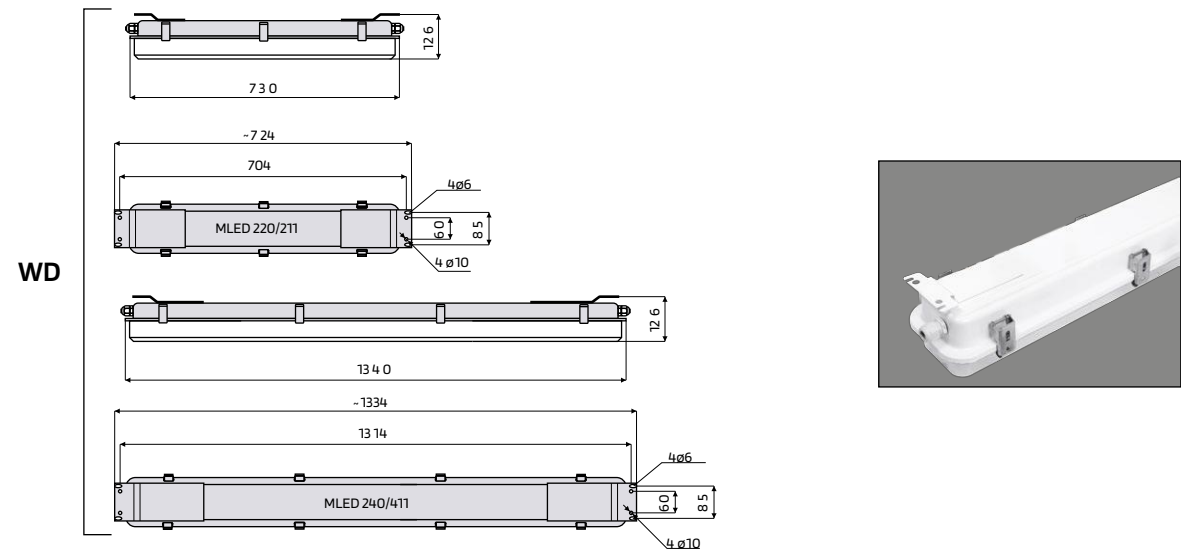




B. Fixing type



fixed for „Z” version
welded for „S” version



SLP 97 MLED



Type	Wattage	Light source	Lumens	Colour temp.	Weight
SLP 97-MLED250/14/7/840	14 W	LED	2050 lm	4000 K	1,8 kg
SLP 97-MLED250/14/7/830	14 W	LED	1880 lm	3000 K	1,8 kg

Outdoor Wall Light, Balcony, LED

Application
open decks

Approvals
according to the rules of relevant classification societies, additional IEC

Housing
stainless steel, powder coated white

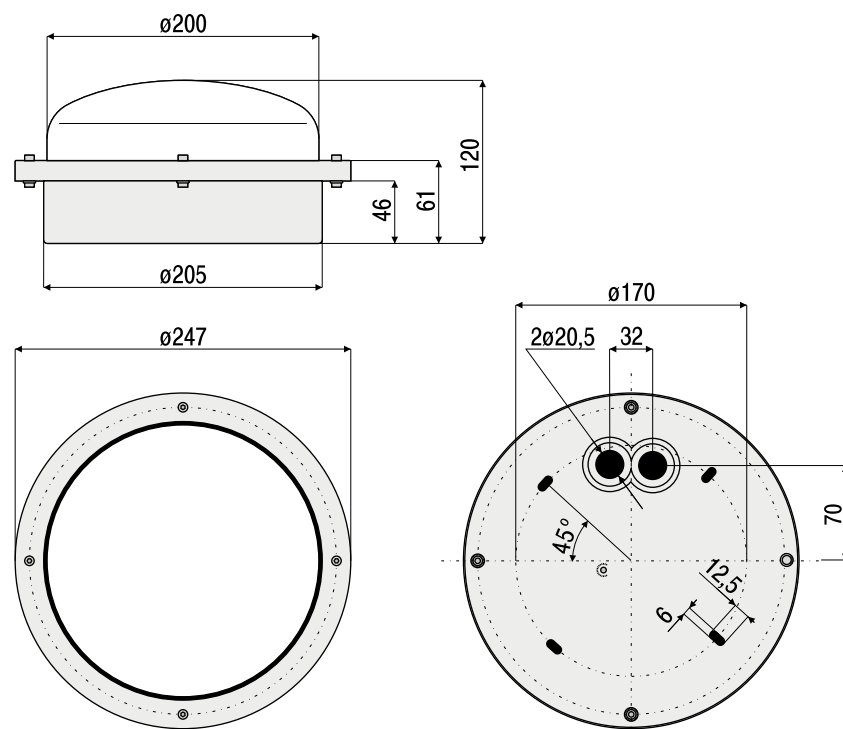
Diffuser
PMMA opal, UV stabilized

Electric
flexible wiring,
heat resistant up to +105°C

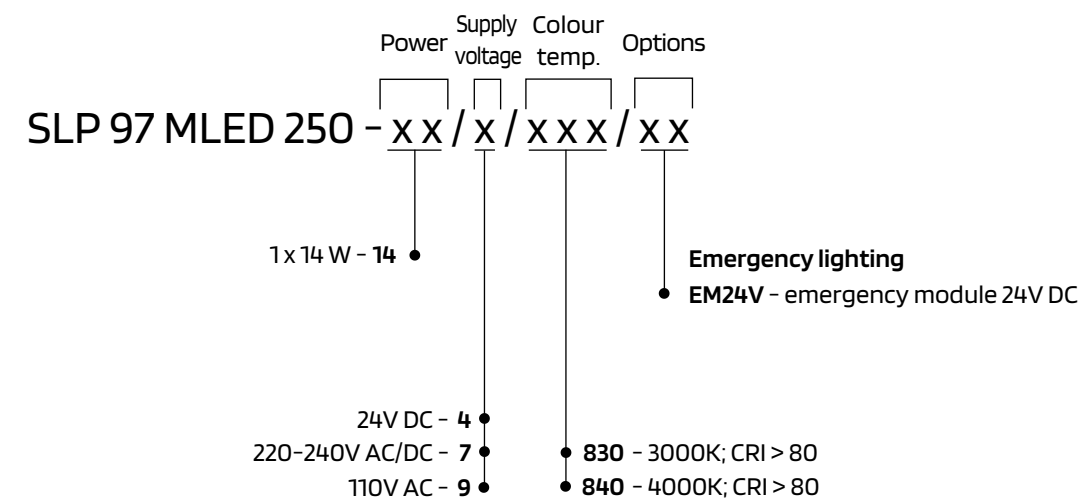
Cable entry
2 grommets IP 67
cable max ø 12 mm

Mounting
4 mounting holes ø 6 mm
directly on wall or ceiling

DIMENSIONS [mm]



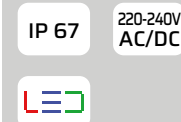
ORDER SPECIFICATION



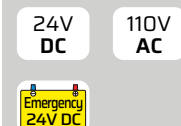
Example of type description

SLP 97 MLED 250/14/7/830 - light fitting type SLP 97 MLED with LED light source, power 14W, supply voltage 220-240V AC/DC; 3000K.

TECHNICAL DATA



OPTIONS



**SLP
97**



Type	Light source power / lamp base	Light source	Weight
SLP 97 - 118...	1 x 18 W / G24q-2	tubular compact fluorescent lamp	1,8 kg
SLP 97 - 126...	1 x 26 W / G24q-3	fluorescent lamp	2,0 kg
SLP 97 - 140...	max 40 W / E27	incandescent or led lamp	2,0 kg

Outdoor Wall Light, Balcony, 1x18W/1x26W/1x40W

Approvals
according to the rules of relevant classification societies, additional IEC

Housing
stainless steel, powder coated white

Diffuser
polycarbonate, opal

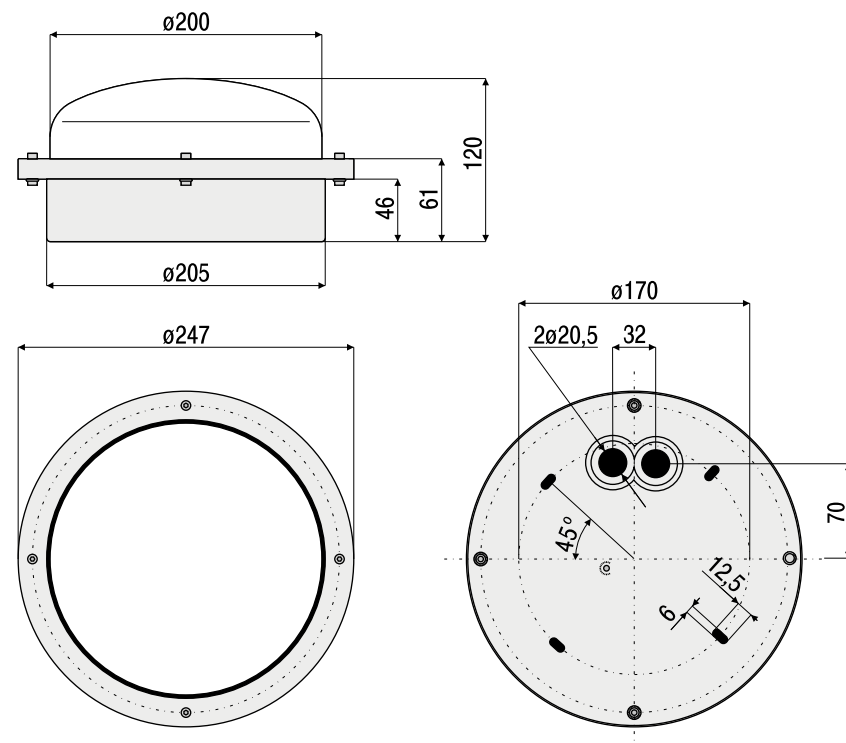
Lamps (not included)
tubular compact fluorescent lamp 18W/26W,
incandescent or led lamp max 40W

Electric
flexible wiring, heat resistant up to +105°C

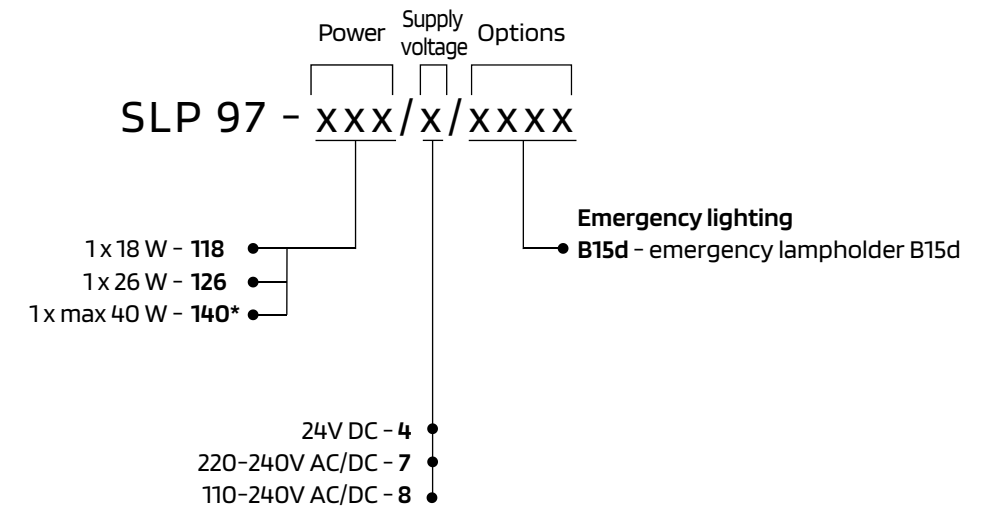
Cable entry
2 cable glands PG 13,5 cable max \varnothing 12 mm

Mounting
4 mounting holes \varnothing 6 mm directly on wall or ceiling

DIMENSIONS [mm]



ORDER SPECIFICATION

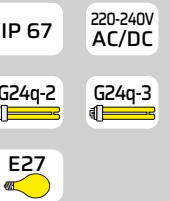


* ballast not required

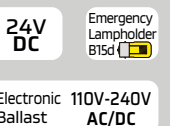
Example of type description

SLP 97 - 1187 light fitting for one tubular compact fluorescent lamp 18W with socket G24q-2; supply voltage 220-240V AC/DC

TECHNICAL DATA



OPTIONS



SLP 98 MLED



Type	Wattage	Light source	Lumens	Colour temp.	Weight
SLP 98-MLED250/14/7/840	14 W	LED	2050 lm	4000 K	1,8 kg
SLP 98-MLED250/14/7/830	14 W	LED	1880 lm	3000 K	1,8 kg

Outdoor Wall Light, Balcony, LED

Application
open decks

Approvals
according to the rules of relevant classification societies, additional IEC

Housing
stainless steel, powder coated white

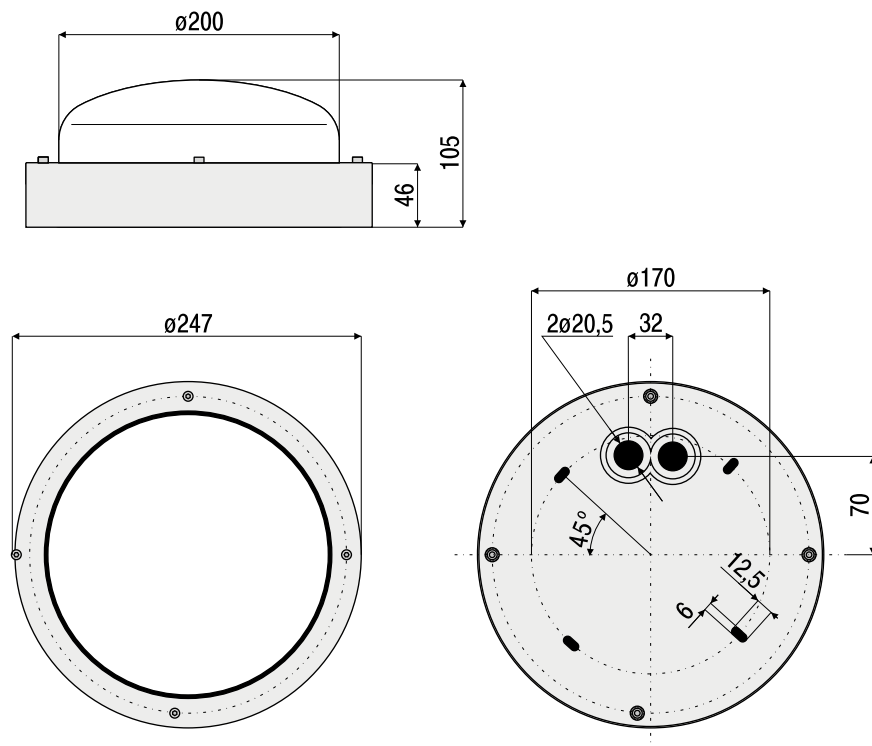
Diffuser
PMMA opal, UV stabilized

Electric
flexible wiring,
heat resistant up to +105°C

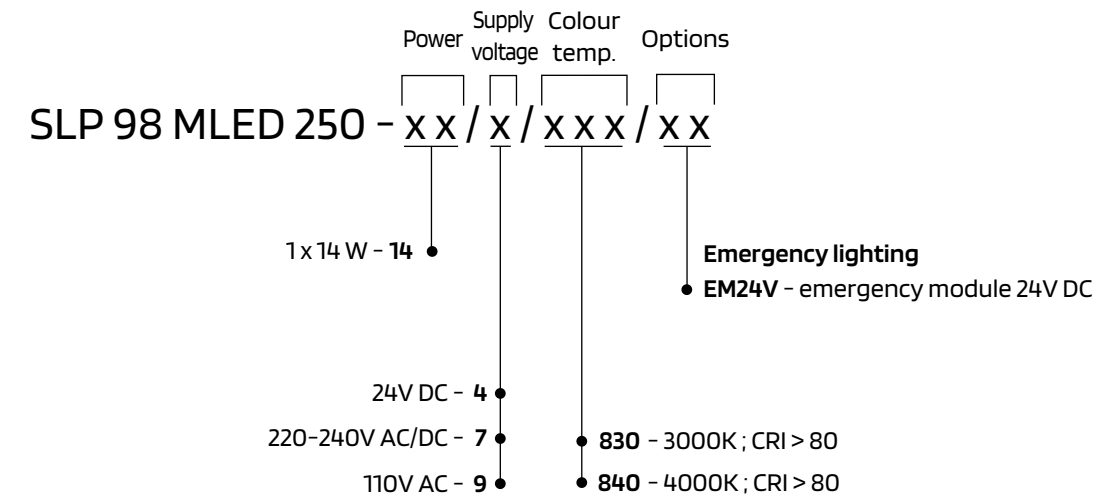
Cable entry
2 grommets IP 67
cable max \varnothing 12 mm

Mounting
4 mounting holes \varnothing 6 mm
directly on wall or ceiling

DIMENSIONS [mm]



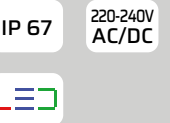
ORDER SPECIFICATION



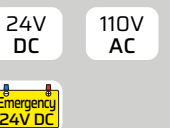
Example of type description

SLP 98 MLED 250/14/7/830 - light fitting type SLP 98 MLED with LED light source, power 14W, supply voltage 220-240V AC/DC; 3000K.

TECHNICAL DATA



OPTIONS

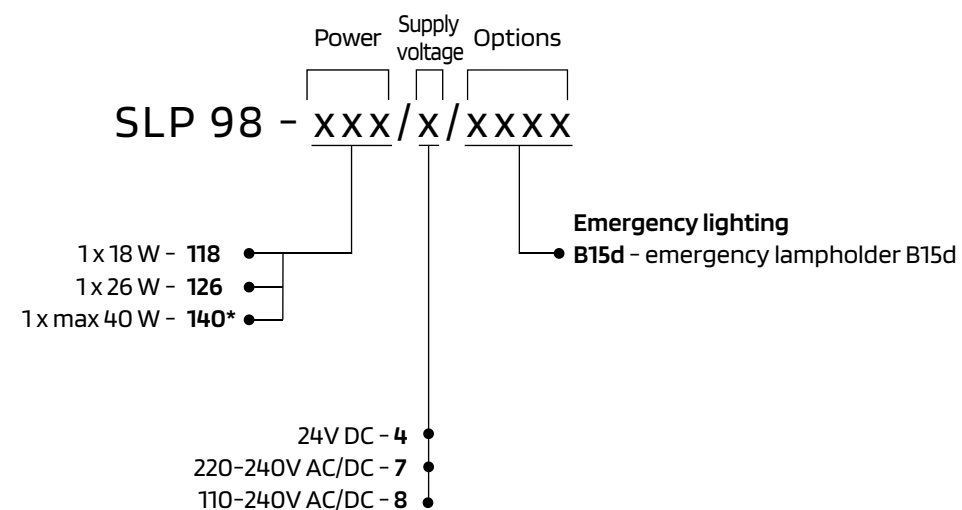


**SLP
98**



Type	Light source power / lamp base	Light source	Weight
SLP 98 - 118...	1 x 18 W / G24q-2	tubular compact fluorescent lamp	1,8 kg
SLP 98 - 126...	1 x 26 W / G24q-3	fluorescent lamp	2,0 kg
SLP 98 - 140...	max 40 W / E27	incandescent or led lamp	2,0 kg

ORDER SPECIFICATION



* ballast not required

Outdoor Wall Light, Balcony, 1x18W/1x26W/1x40W

Approvals

according to the rules of relevant classification societies, additional IEC

Housing

stainless steel, powder coated white

Lamps (not included)

tubular compact fluorescent lamp 18W/26W, incandescent or LED lamp max 40W (E27)

Diffuser

polycarbonate, opal

Electric

flexible wiring, heat resistant up to +105°C

Cable entry

2 cable glands PG 13,5 cable max \varnothing 12 mm

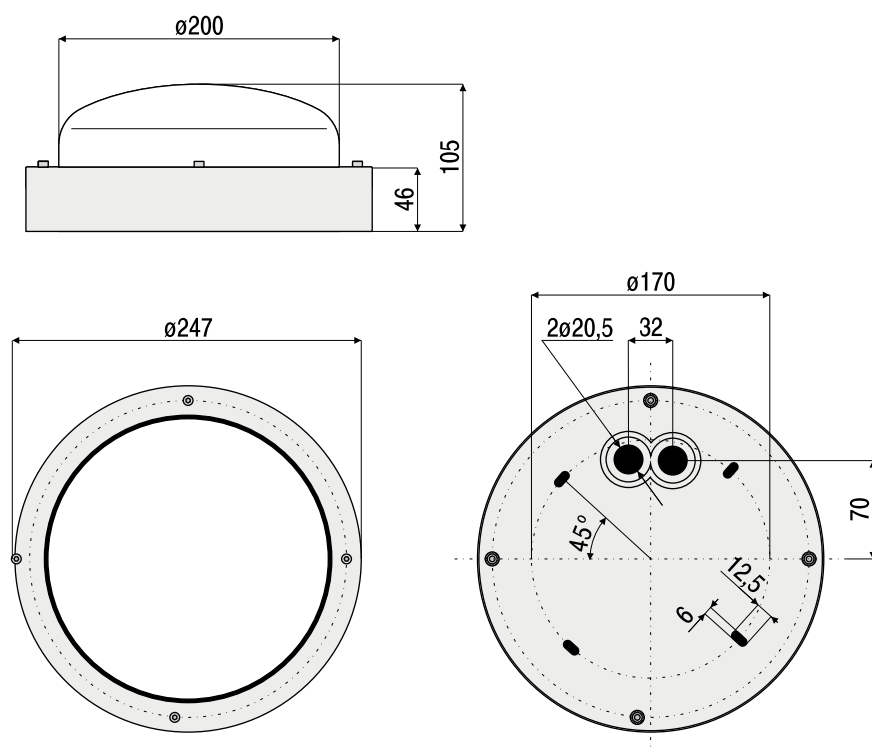
Mounting

4 mounting holes \varnothing 6 mm directly on wall or ceiling

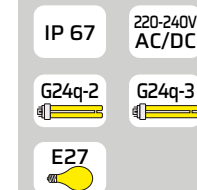
Example of type description

SLP 98 - 1187 light fitting for one tubular compact fluorescent lamp 18W with socket G24q-2; supply voltage 220-240V AC/DC

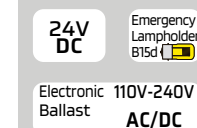
DIMENSIONS [mm]

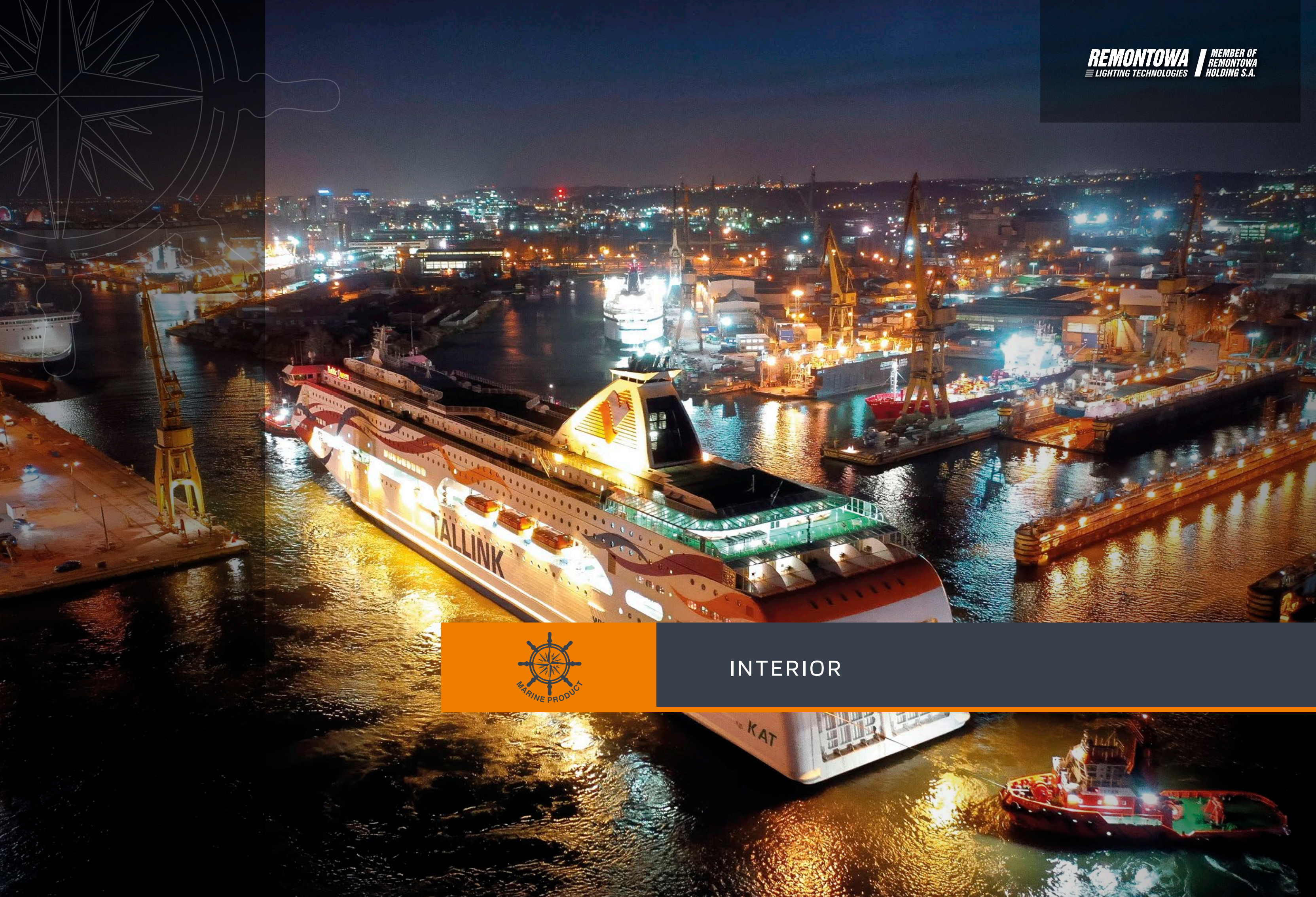


TECHNICAL DATA



OPTIONS





INTERIOR

KAT

DEP 28 MLED



Type	Wattage	Light Source	Lumens	Weight
DEP 28-MLED-220/211/...	2 x 11 W	LED	2 x 1250 lm	4,9 kg
DEP 28-MLED-240/411/...	4 x 11 W	LED	4 x 1250 lm	5,2 kg

Ceiling Luminaire, recessed, 2x11W / 4x11W LED

Application

accommodation areas, passage ways, cabins, etc.

Approvals

according to the rules of relevant classification societies, additional IEC

Housing

zinc coated steel, powder painted white

Diffuser

prismatic or opal diffuser

Cable entry

2 cable entries \varnothing 20 mm

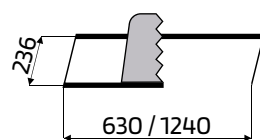
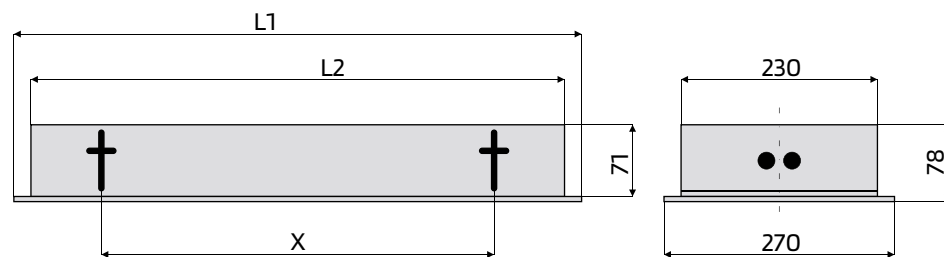
Mounting

4 mounting brackets, cut out:

2 x 11 W: 630x236 mm

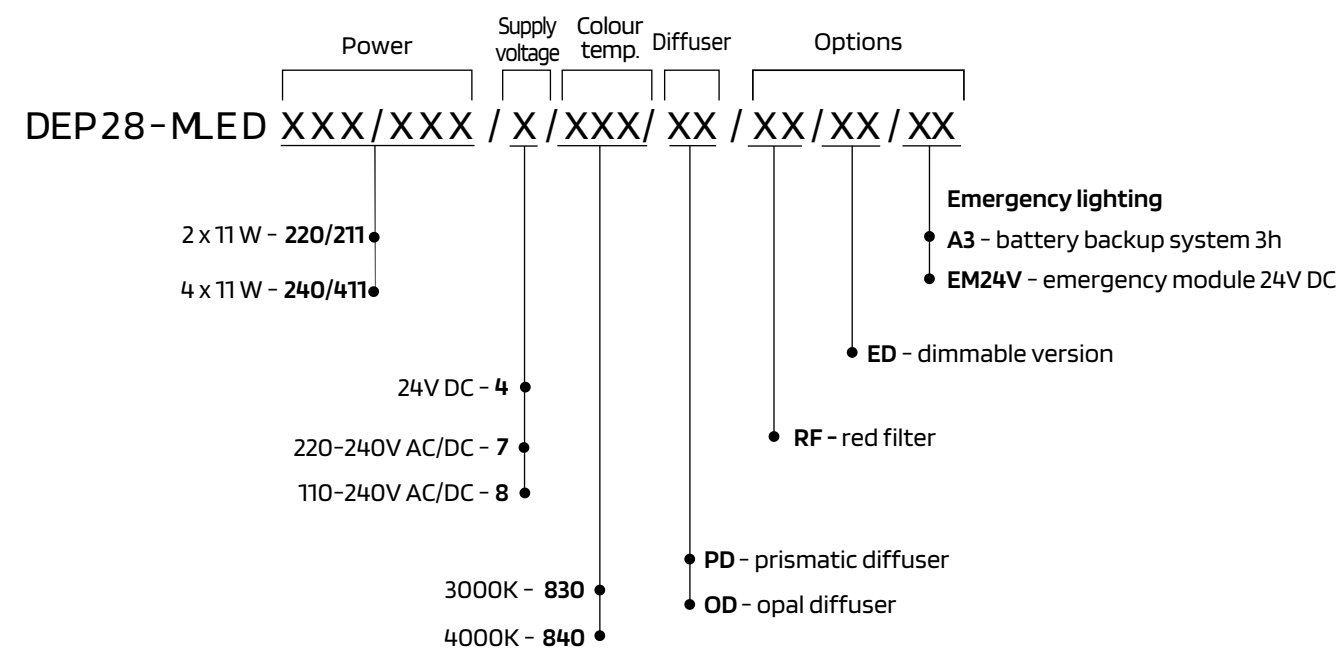
4 x 11 W: 1240x236 mm

DIMENSIONS [mm]



Type	L1	L2	X
DEP 28/2x11W	663	625	460
DEP 28/4x11W	1273	1235	1070

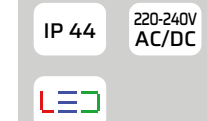
ORDER SPECIFICATION



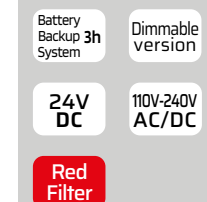
Example of type description

DEP 28-MLED 220/211/7/PD - light fitting with LED source 2x11W, supply voltage 220-240V AC/DC, prismatic diffuser

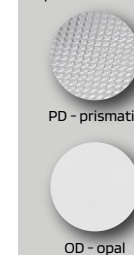
TECHNICAL DATA



OPTIONS



Optional diffusers:



**DEP
28**



Type	Light source power / lamp base	Light source	Weight
DEP 28 - 218	2 x 18 W / G 13	fluorescent lamp	4,9 kg
DEP 28 - 236	2 x 36 W / G 13	fluorescent lamp	6,9 kg

Ceiling Luminaire, recessed, 2x18W/2x36W

Application

passage ways, cabins, lounges, dining rooms, accomodation areas

Approvals

according to the rules of relevant classification societies, additional IEC

Protection class

IP 44 in conjunction with ceiling

Diffuser

prismatic or opal diffuser

Lamps (not included)

fluorescent lamp 18W / 36W

Electric

flexible wiring, heat resistant up to +105°C

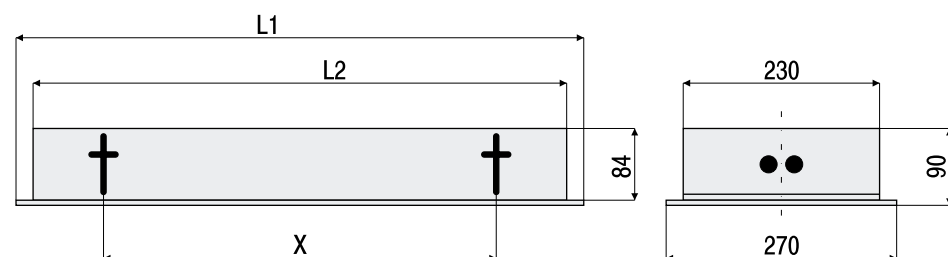
Cable entry

2 cable entries Ø 20 mm

Mounting

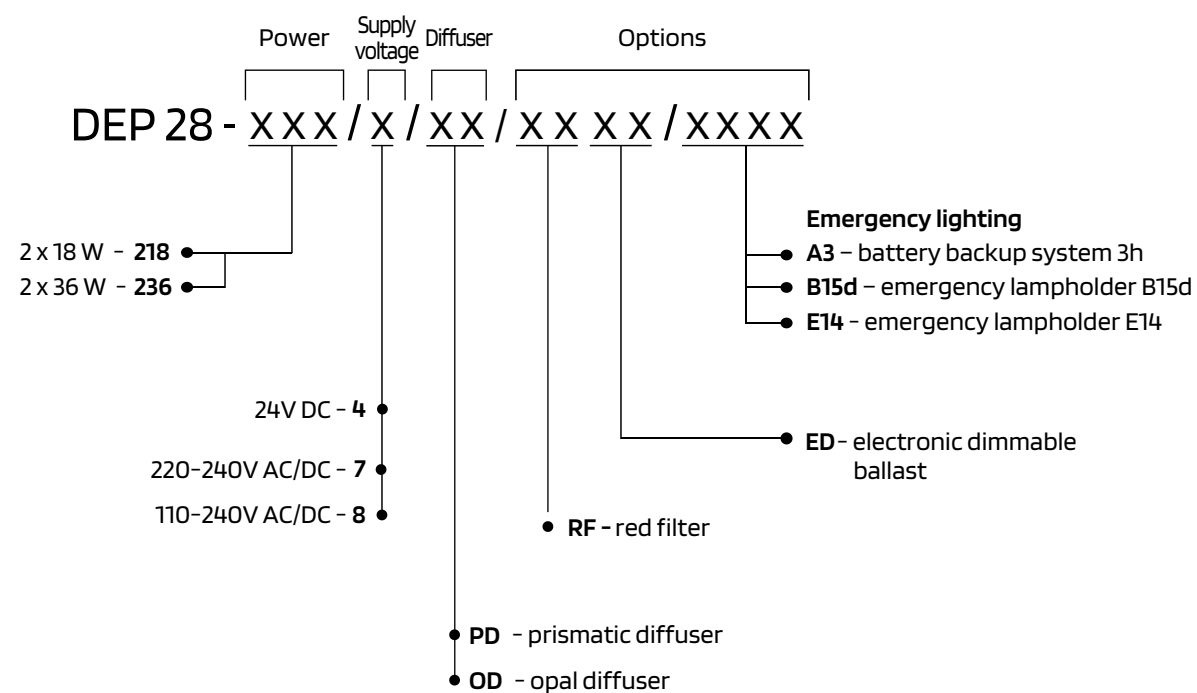
4 mounting brackets, cut out
18W: 630 x 236 mm
36W: 1240 x 236 mm

DIMENSIONS [mm]



Type	L1	L2	X
DEP 28/2x18W	663	625	460
DEP 28/2x36W	1275	1235	1070

ORDER SPECIFICATION



Example of type description

DEP 28 - 2187/OD light fitting for two fluorescent lamp 18W with socket G13; supply voltage 220-240V AC/DC

TECHNICAL DATA

IP 44	220-240V AC/DC
G 13	

OPTIONS

24V DC	Red Filter
Battery Backup System	220V-240V 50-60Hz 3h
Dimmable Electronic Ballast	220V-240V 50-60Hz
Emergency Lampholder B15d	Emergency Lampholder E14



DEP 19 MLED



Type	Wattage	Light Source	Lumens	Weight
DEP 19-MLED220/211/...	2 x 11 W	LED	2 x 1250 lm	3,9 kg
DEP 19-MLED240/411/...	4 x 11 W	LED	4 x 1250 lm	4,2 kg

Ceiling recessed luminaire, 2x11W / 4x11W LED

Application
accommodation areas, passage ways, cabins, etc.

Approvals
according to the rules of relevant classification societies, additional IEC

Housing
zinc coated steel, powder painted white

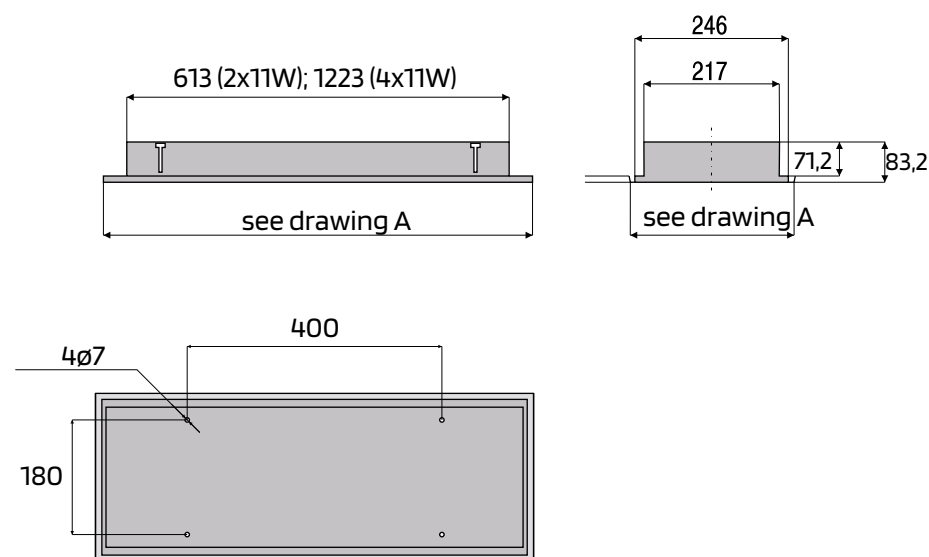
Diffuser
opal or prismatic diffuser

Cable entry
2 inlet, cable max Ø 20 mm

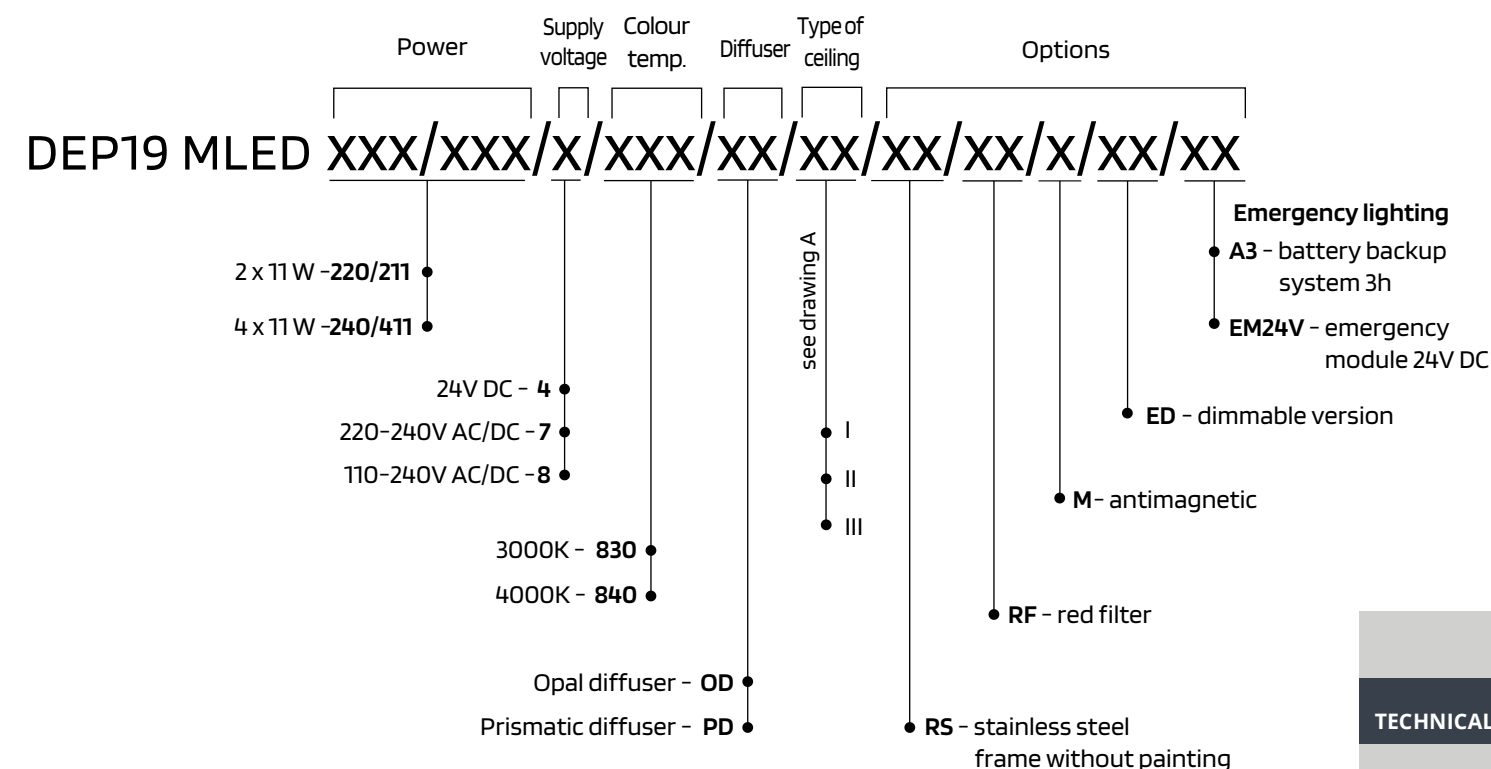
Mounting
4 mounting holes Ø 7mm
or special bracket ordered separately

Type of ceiling
I strip ceiling - produced by FAMOS
II panel ceiling - produced by FAMOS, LUBMOR
III tile ceiling - produced by FAMOS, LUBMOR

DIMENSIONS [mm]



ORDER SPECIFICATION

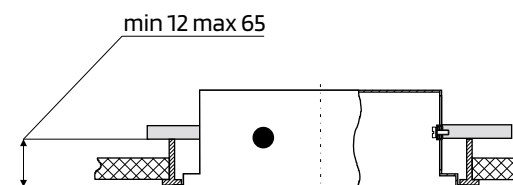


Example of type description

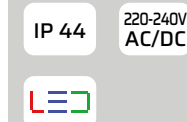
DEP 19 MLED 220/211/7/830/PD/I/A3 - light fitting with LED source 2x11W; supply voltage 220-240V AC/DC; colour temperature 3000K; prismatic diffuser; type of ceiling - I; emergency battery backup system 3h

Additional equipment

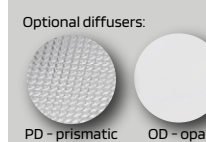
31-319-9001 Special bracket type C /ordered separately/



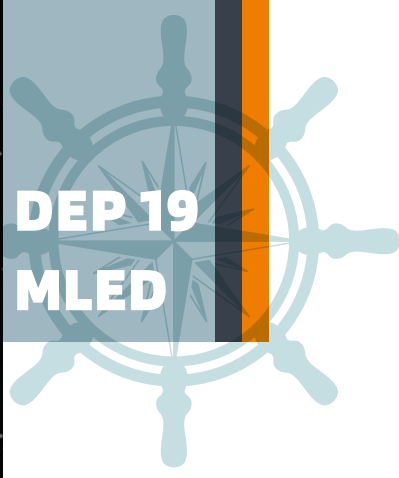
TECHNICAL DATA



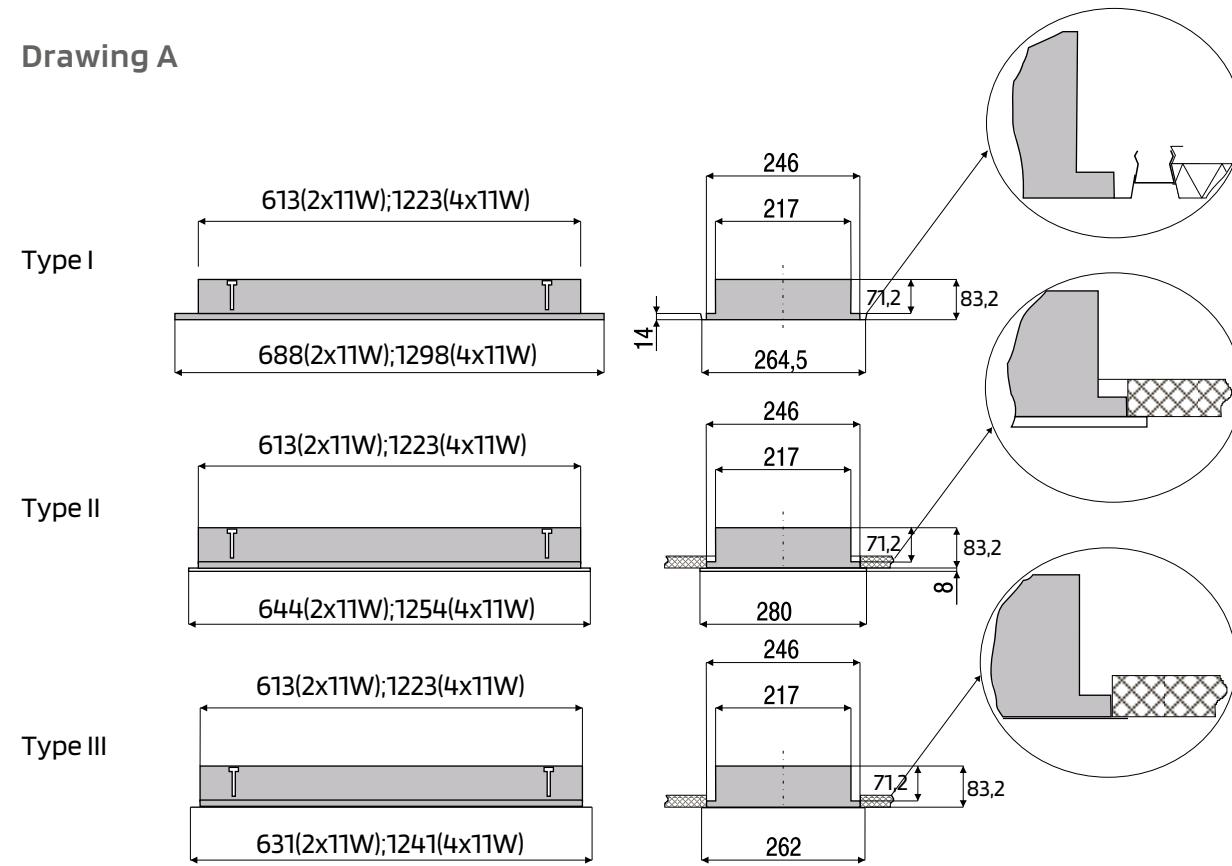
OPTIONS



DEP 19
MLED



Drawing A



DEP 19



Type	Light source power / lamp base	Light source	Weight
DEP 19 - 218	2 x 18 W / G 13	fluorescent lamp	4,2 kg
DEP 19 - 236	2 x 36 W / G 13	fluorescent lamp	5,2 kg

Ceiling Luminaire, recessed, 2x18W/2x36W

Application

accommodation areas, passage ways, cabins, etc.

Approvals

according to the rules of relevant classification societies, additional IEC

Housing

zinc coated steel, powder painted white

Diffuser

opal or prismatic diffuser

Lamps (not included)

fluorescent lamp 18W / 36W

Electric

flexible wiring,
heat resistant up to +105°C

Cable entry

2 plastic inlets, cable max \varnothing 11 mm

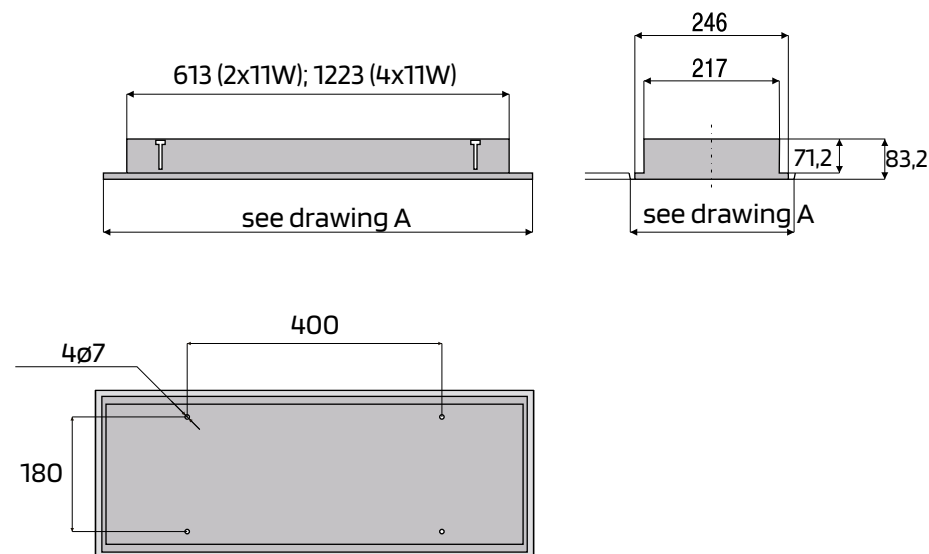
Type of ceiling

I strip ceiling - produced by FAMOS
II panel ceiling - produced by FAMOS, LUBMOR
III tile ceiling - produced by FAMOS, LUBMOR

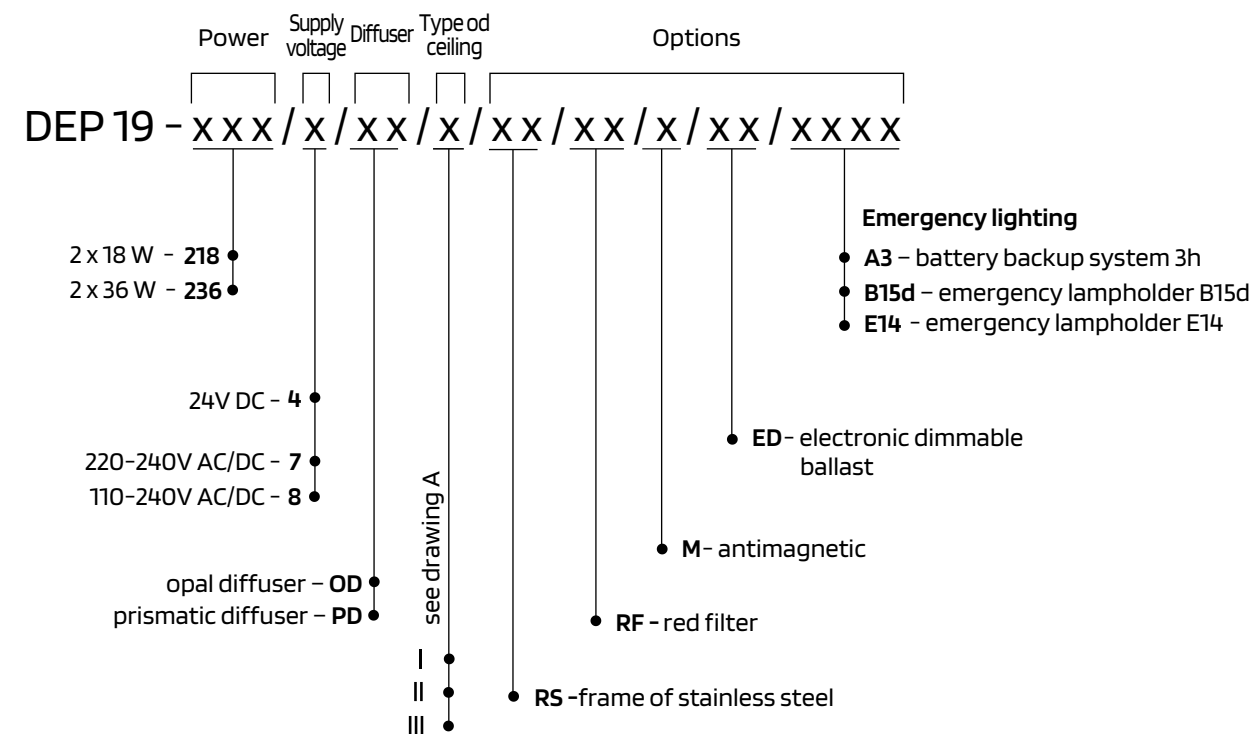
Mounting

4 mounting holes or special bracket ordered separately

DIMENSIONS [mm]



ORDER SPECIFICATION

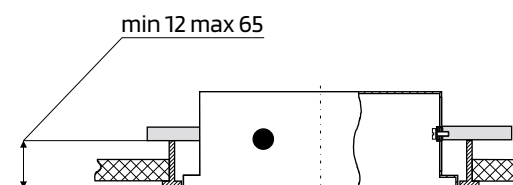


Example of type description

DEP 19 - 2180/PC/ light fitting for two fluorescent lamp 18W with socket G13; supply voltage 230V/50Hz; diffuser - PC opal; type of ceiling - I strip ceiling (produced by FAMOS), mounting - 4 mounting holes (type A)

Additional equipment

31-319-9001 Special bracket type C /ordered separately/



TECHNICAL DATA

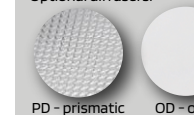
IP 44	220-240V AC/DC
G 13	

OPTIONS

24V DC	Anti-magnetic
Battery Backup System	220V-240V 50-60Hz 3h
Dimmable Electronic Ballast	220V-240V 50-60Hz
Emergency Lampholder B15d	Emergency Lampholder E14

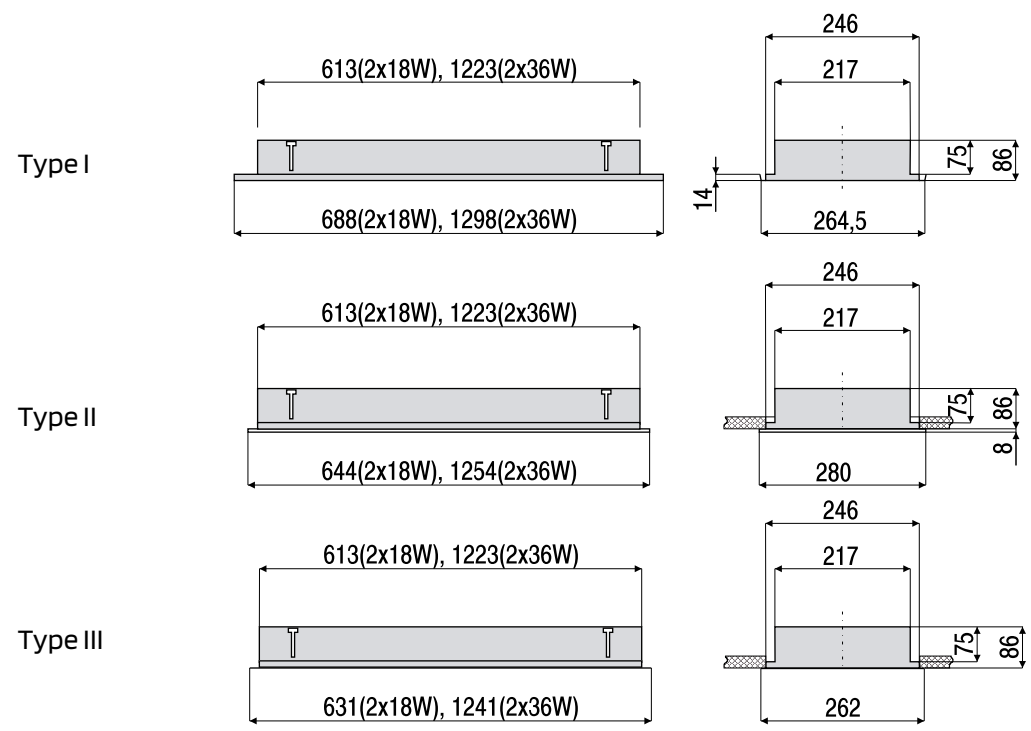
Red Filter

Optional diffusers:





Drawing A



DEP 95 MLED



Type	Wattage	Light Source	Lumens	Weight
DEP 95-MLED220/211/...	2 x 11 W	LED	2 x 1250 lm	4,9 kg
DEP 95-MLED240/411/...	4 x 11 W	LED	4 x 1250 lm	5,2 kg

Ceiling Luminaire, recessed, 2x11W / 4x11W LED

Application

for installation in Dampa ceilings M300 passage ways, cabins, lounges, dining rooms, accomodation areas

Diffuser

opal or prismatic

Approvals

according to the rules of relevant classification societies, additional IEC

Cable entry

2 or 4 cable inlets cable Ø max 11 mm

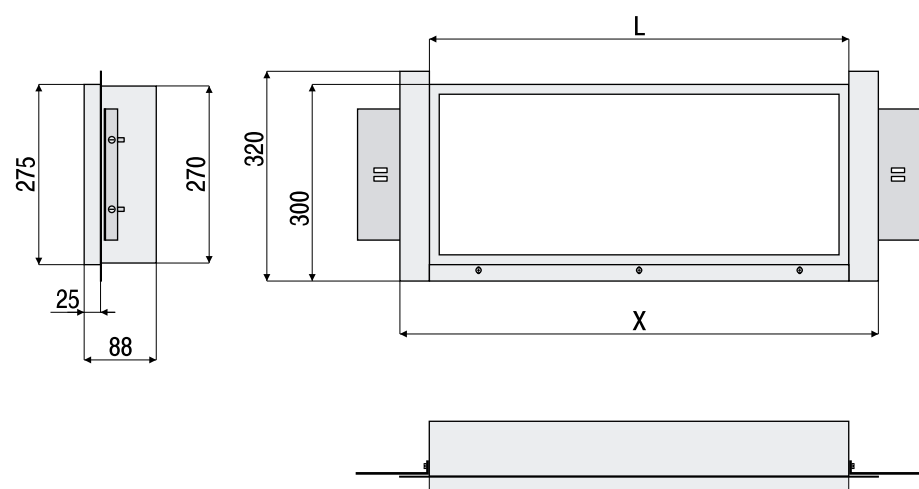
Housing

zinc coated steel, powder painted white

Mounting

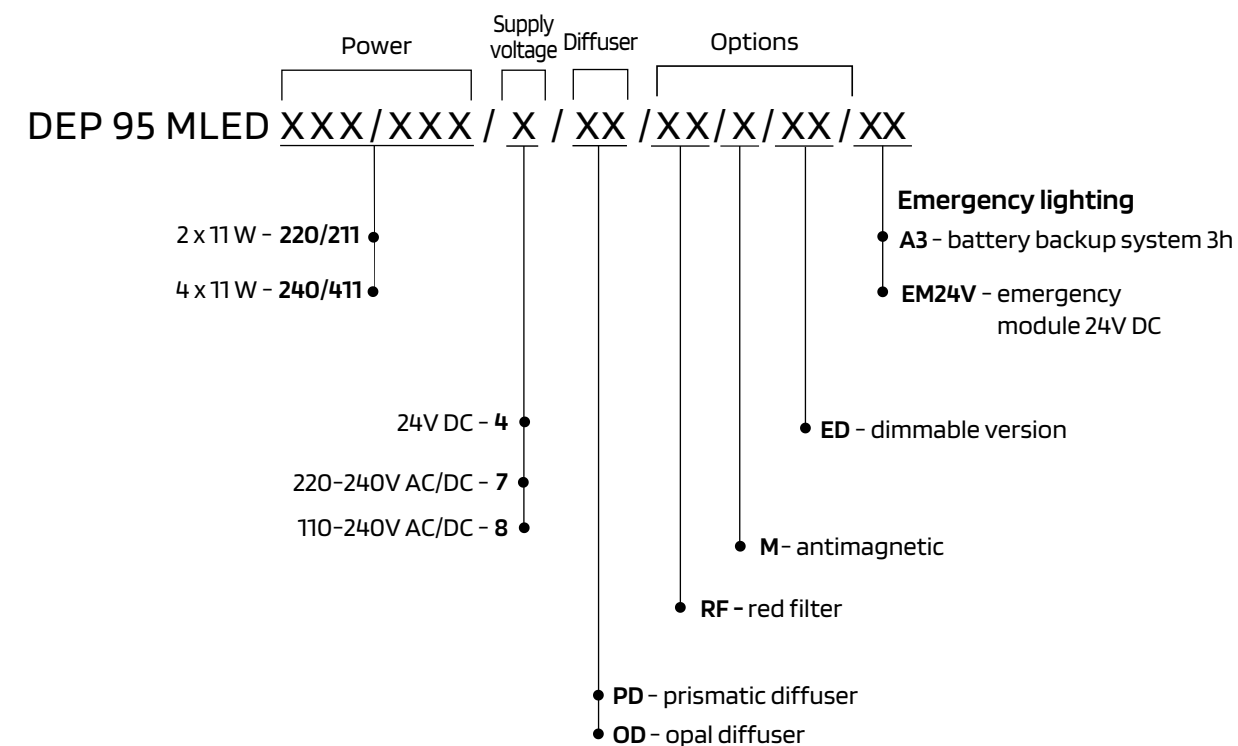
2 mounting brackets

DIMENSIONS [mm]



Type	L	X
DEP 95-MLED220/211/...	640	730
DEP 95-MLED240/411/...	1250	1340

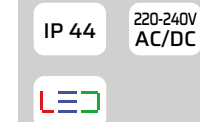
ORDER SPECIFICATION



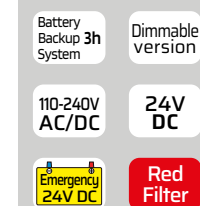
Example of type description

DEP 95-MLED 220/211/7/PD - light fitting with LED source 2x11W, supply voltage 220-240V AC/DC, prismatic diffuser

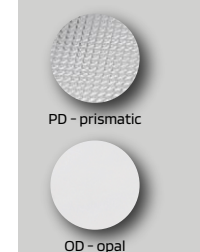
TECHNICAL DATA



OPTIONS



Optional diffusers:



**DEP
95**



Type	Light source power / lamp base	Light source	Weight
DEP 95 - 218	2 x 18 W / G 13	fluorescent lamp	4,9 kg
DEP 95 - 236	2 x 36 W / G 13	fluorescent lamp	8,1 kg

Ceiling Luminaire, recessed, 2x18W/2x36W

Application

for installation in Dampa ceilings M300 passage ways, cabins, lounges, dining rooms, accomodation areas

Approvals

according to the rules of relevant classification societies, additional IEC

Housing

zinc coated steel, powder painted white

Diffuser

opal or prismatic diffuser

Lamps (not included)

fluorescent lamp 18W / 36W

Electric

flexible wiring, heat resistant up to +105°C

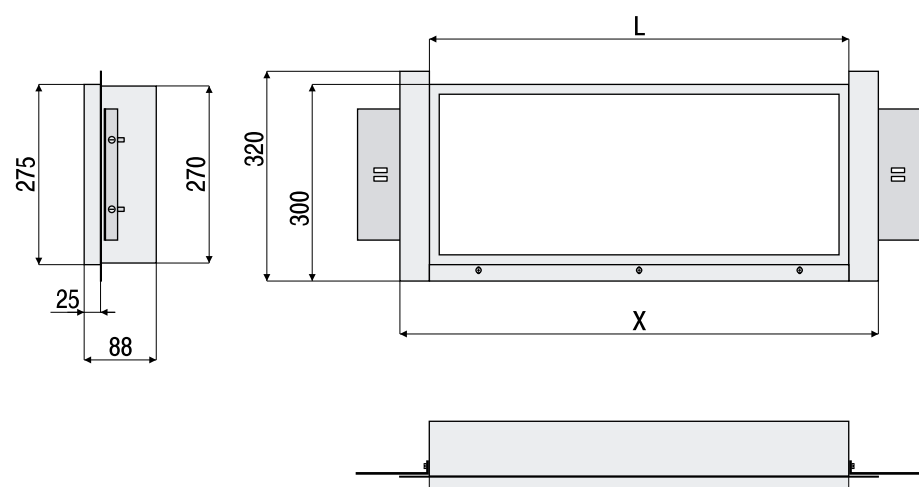
Cable entry

2 or 4 cable inlets cable Ø max 11 mm

Mounting

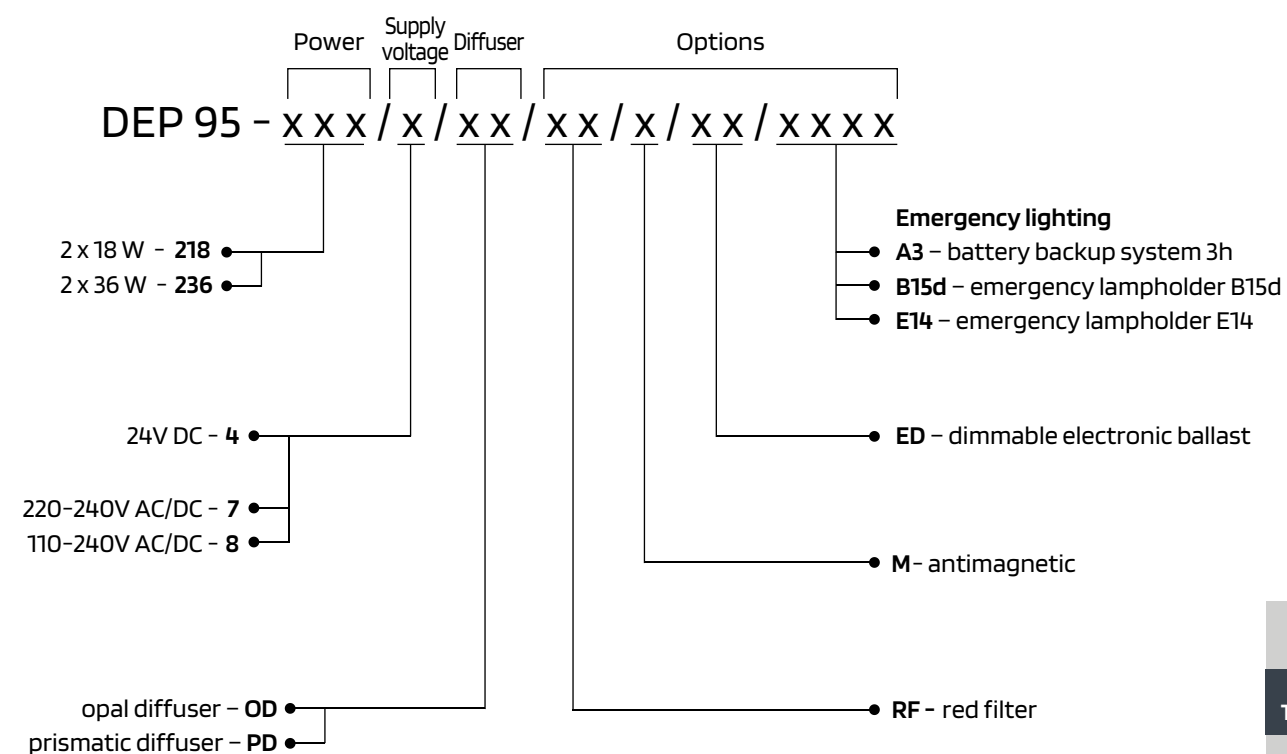
2 mounting brackets

DIMENSIONS [mm]



Type	L	X
DEP 95/2x18W	640	730
DEP 95/2x36W	1250	1340

ORDER SPECIFICATION



Example of type description

DEP 95-2187/OD – light fitting for two fluorescent lamp 18W with socket G13; supply voltage 220-240V AC/DC; opal diffuser

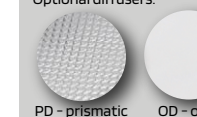
TECHNICAL DATA

IP 44	220-240V AC/DC
G 13	

OPTIONS

24V DC	Emergency Lampholder B15d
Battery Backup System	220V-240V 50-60Hz 3h
Dimmable Electronic Ballast	220V-240V 50-60Hz
Anti-magnetic	Red Filter

Optional diffusers:



KJP 40 MLED



Type	Wattage	Light Source	Colour temp.	Weight
KJP 40-MLED109/8/830/W	9W	LED	3000 K	0,8 kg

Berth Light, recessed, 4 W

Application
cabins

Approvals
according to the rules of relevant
classification societies, additional IEC

Housing
zinc coated steel, powder coated white

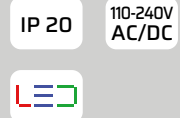
Diffuser
polycarbonate, opal

Electric
flexible wiring, heat resistant up to +105°C,
switch 2-pole

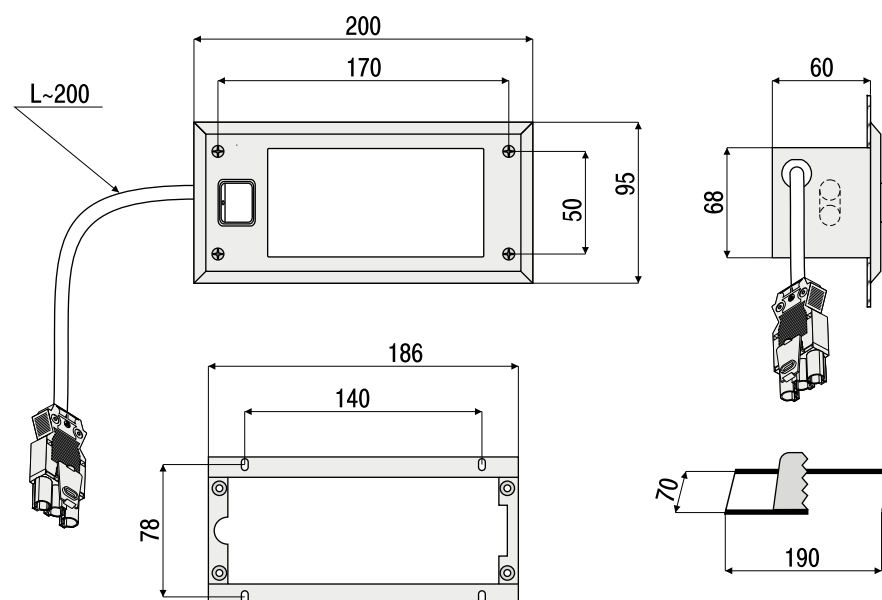
Connections
plug and sockets /Wieland GST/

Mounting
4 mounting holes \varnothing 4 mm, cut out 190 x 70 mm

TECHNICAL DATA



DIMENSIONS [mm]



ELP 33 MLED



Type	Wattage	Light Source	Lumens	Weight
ELP 33 -MLED220/205/...	2 x 5 W	LED	1215 lm	3,5 kg
ELP 33 -MLED220/209/...	2 x 9 W	LED	2460 lm	3,5 kg
ELP 33 -MLED220/211/...	2 x 11 W	LED	2970 lm	3,5 kg
ELP 33 -MLED240/411/...	4 x 11 W	LED	5720 lm	5,3 kg

Cornice Luminaire, surface, 2x5W; 2x9W; 2X11W; 4X11W LED

Application
passage ways, cabins

Cover
polycarbonate, opal

Approvals
according to the rules of relevant classification societies, additional IEC

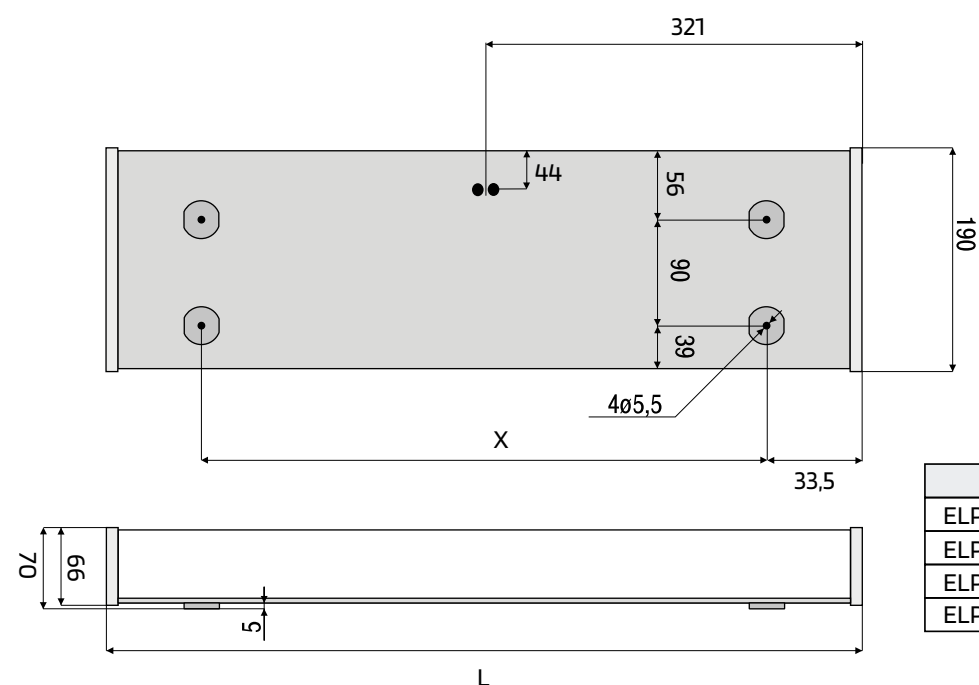
Electric
flexible wiring, heat resistant up to +105°C

Housing
zinc coated steel,
powder coated white

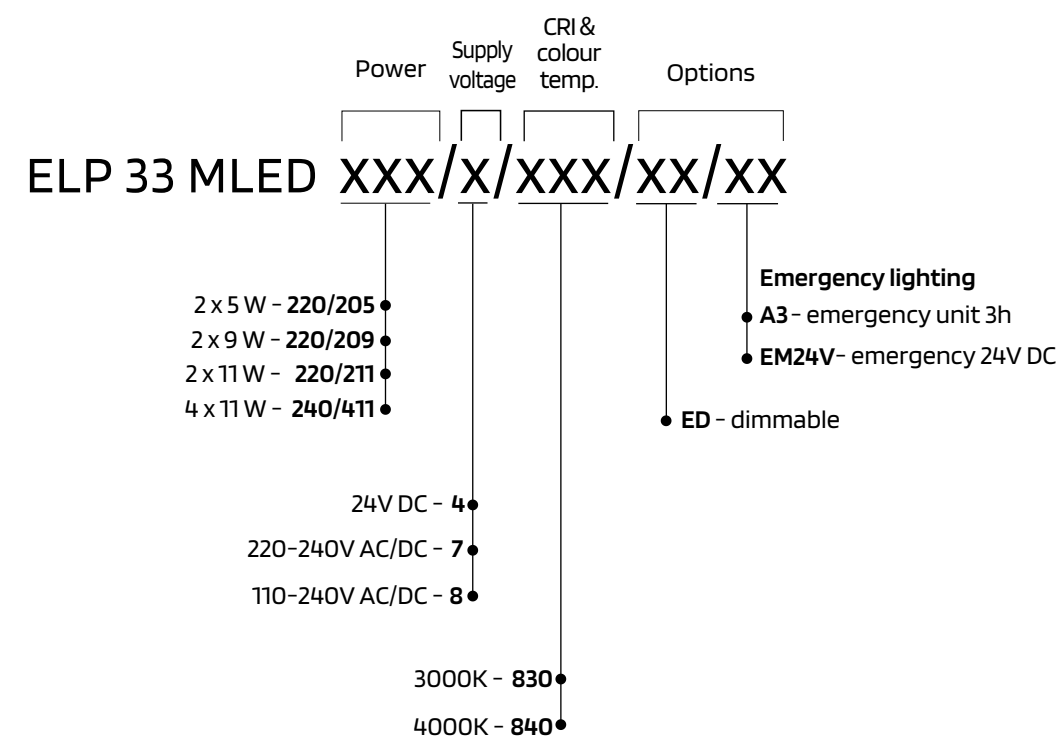
Cable entry
2 inlet, cable max Ø 11 mm

Mounting
4 mounting holes Ø 5,5 mm

DIMENSIONS [mm]



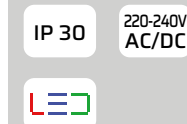
ORDER SPECIFICATION



Example of type description

ELP 33 MLED220/205/7/840 light fitting with LED source, 2x5W, supply voltage 220V-240V AC/DC, CRI 80, colour temperature 4000K

TECHNICAL DATA



OPTIONS



**ELP
33**



Type	Light source power / lamp base	Light source	Weight
ELP 33 - 118	1 x 18 W / G 13	fluorescent lamps	3,0 kg
ELP 33 - 218	2 x 18 W / G 13		3,4 kg
ELP 33 - 136	1 x 36 W / G 13		4,2 kg
ELP 33 - 236	2 x 36 W / G 13		4,7 kg

Cornice Luminaire, surface, 1x18W/2x18W; 1x36W/2x36W

Application
passage ways, cabins

Approvals
according to the rules of relevant classification societies, additional IEC

Housing
zinc coated steel, powder coated white

Cover
polycarbonate, opal

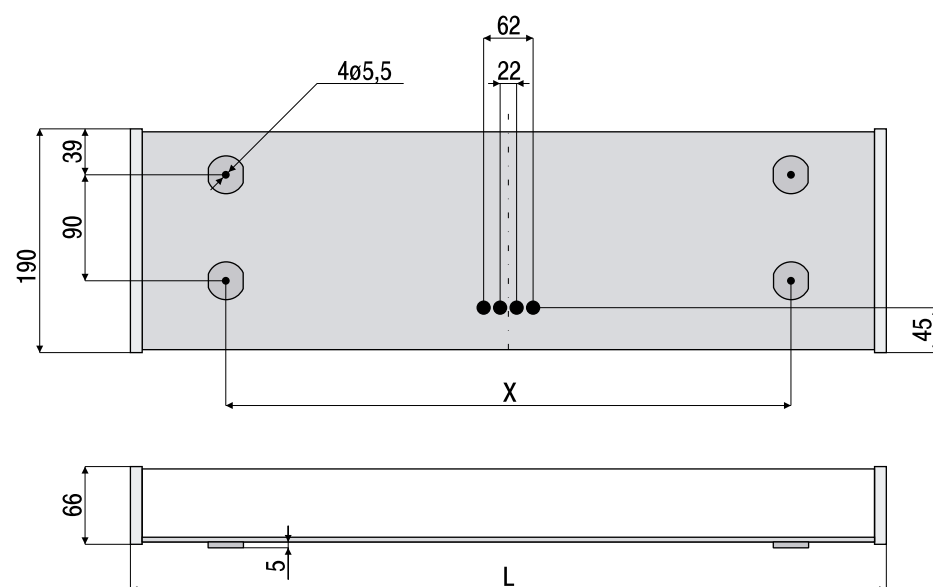
Lamps (not included)
fluorescent lamp 18W/36W

Electric
flexible wiring, heat resistant up to +105°C

Cable entry
4 inlet, cable max Ø 11 mm

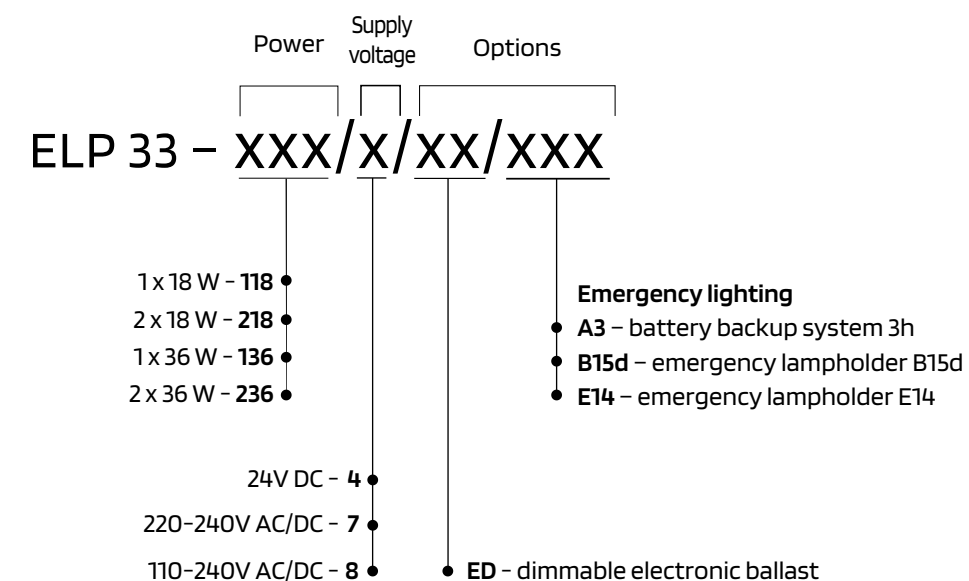
Mounting
4 mounting holes Ø 5,5 mm

DIMENSIONS [mm]



Type	L	X
ELP 33/2x18W	642	480
ELP 33/2x36W	1252	967

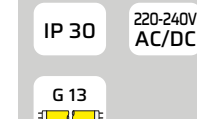
ORDER SPECIFICATION



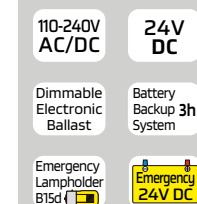
Example of type description

ELP 33 - 2187 light fitting for two fluorescent lamp 18W with socket G13; supply voltage 220-240V AC/DC

TECHNICAL DATA



OPTIONS



DAP 23 MLED



Type	Wattage	Light source	Lumens	Weight
DAP 23 -MLED220/205/...	2 x 5 W	LED	1215 lm	3,5 kg
DAP 23 -MLED220/209/...	2 x 9 W	LED	2460 lm	3,5 kg
DAP 23 -MLED220/211/...	2 x 11 W	LED	2970 lm	3,5 kg
DAP 23 -MLED240/411/...	4 x 11 W	LED	5720 lm	5,3 kg

Ceiling Luminaire, surface, 2x5W; 2x9W; 2X11W; 4X11W LED

Application
passage ways, cabins

Approvals
according to the rules of relevant classification societies, additional IEC

Housing
zinc coated steel, powder coated white

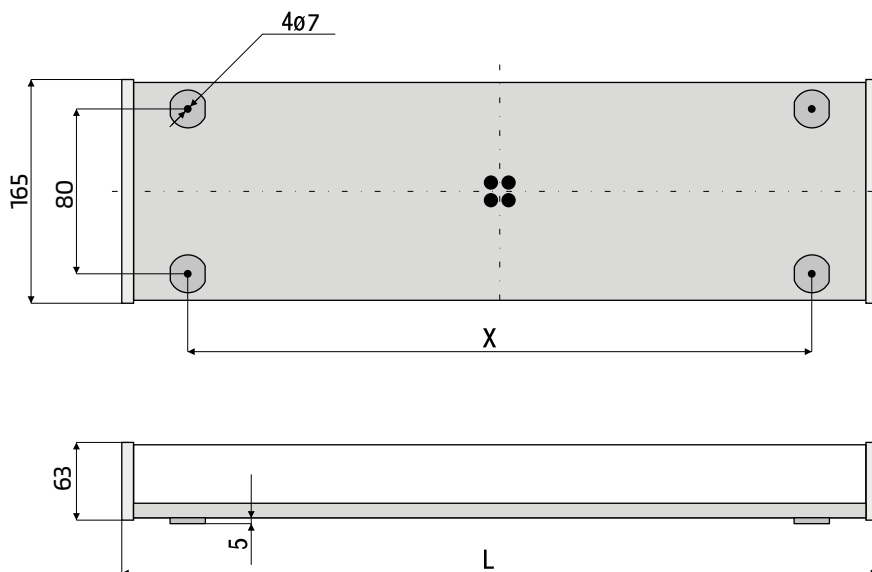
Cover
polycarbonate, opal

Electric
flexible wiring, heat resistant up to +105°C

Cable entry
4 inlet, cable max Ø 11 mm

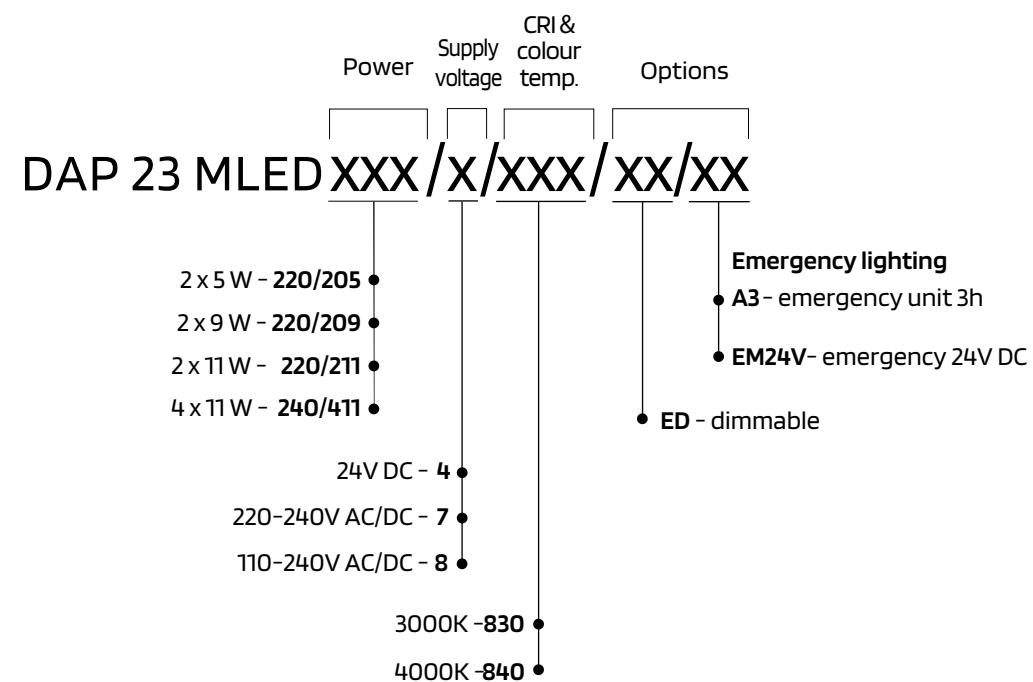
Mounting
4 mounting holes Ø 5,5 mm

DIMENSIONS [mm]



Type	L	X
DAP 23-MLED/2x5W	629	450
DAP 23-MLED/2x9W	629	450
DAP 23-MLED/2x11W	629	450
DAP 23-MLED/4x11W	1252	1059

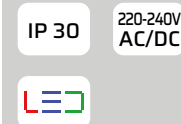
ORDER SPECIFICATION



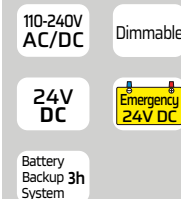
Example of type description

DAP 23 MLED220/205/7/840 light fitting with LED source, 2x5W, supply voltage 220V-240V AC/DC, CRI 80, colour temperature 4000K

TECHNICAL DATA



OPTIONS



DAP 23



Type	Light source power / lamp base	Light source	Weight
DAP 23 - 218	2 x 18 W / G 13	fluorescent lamps	3,5 kg
DAP 23 - 236	2 x 36 W / G 13		5,7 kg

Ceiling Luminaire, surface, 2x18W; 2x36W

Application
passage ways, cabins

Approvals
according to the rules of relevant classification societies, additional IEC

Housing
zinc coated steel, powder coated white

Cover
polycarbonate, opal

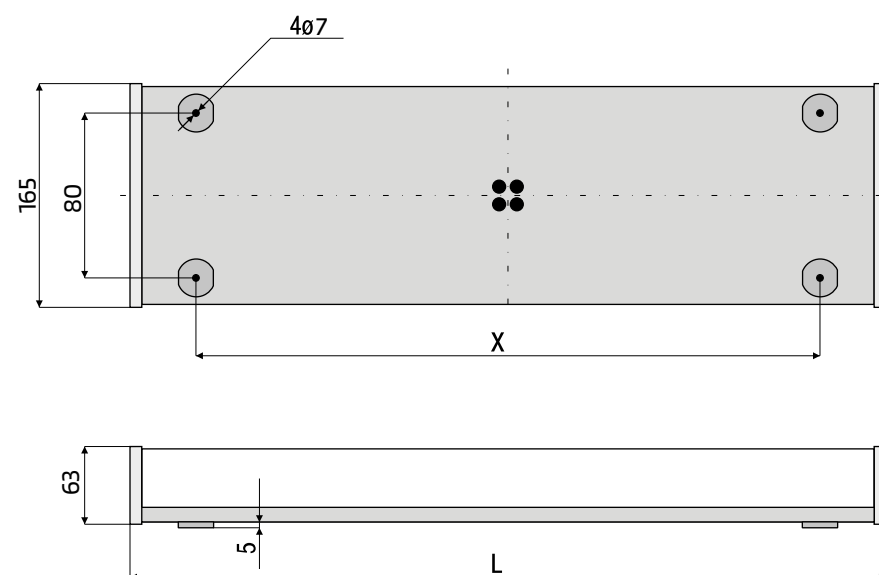
Lamps (not included)
fluorescent lamp 18W/36W

Electric
flexible wiring, heat resistant up to +105°C

Cable entry
4 inlet, cable max Ø 11 mm

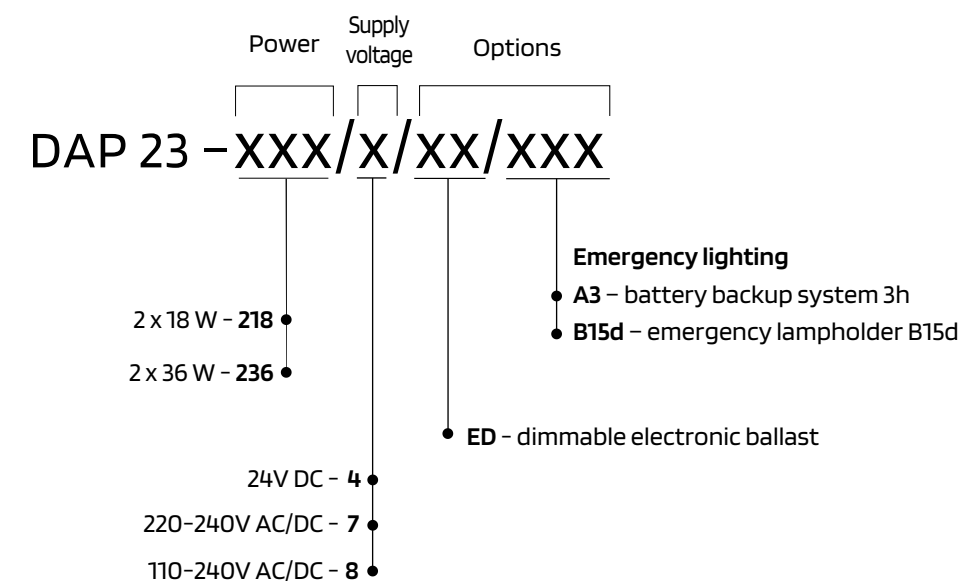
Mounting
4 mounting holes Ø 5,5 mm

DIMENSIONS [mm]



Type	L	X
DAP 23/2x18W	629	450
DAP 23/2x36W	1252	1059

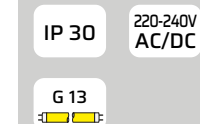
ORDER SPECIFICATION



Example of type description

DAP 23 - 2187 light fitting for two fluorescent lamp 18W with socket G13; supply voltage 220-240V AC/DC

TECHNICAL DATA



OPTIONS



KJP 27 MLED



*socket and switch are optional equipment.

Type	Wattage	Light Source	Lumens	Weight
KJP 27-MLED220/111/...	1 x 11W	LED	1250 lm	2,0 kg

Mirror luminaire, surface, 1x11W

Application
cabins, shower rooms, toilets, accomodation areas

Diffuser
PC, opal

Approvals
according to the rules of relevant classification societies, additional IEC

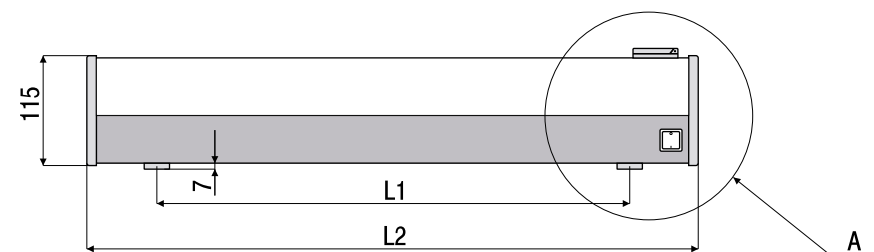
Electric
flexible wiring, heat resistant up to +105°C

Housing
zinc coated steel,
powder coated white

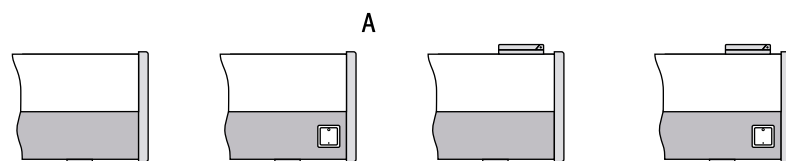
Cable entry
2 inlets, cable max Ø 11 mm

Mounting
2 mounting holes Ø 6 mm

DIMENSIONS [mm]



Type	L1	L2	L3
KJP 27-MLED/1x11W	495	640	170



ORDER SPECIFICATION

KJP 27-MLED / **Power** / **Supply voltage** / **Colour temp.** / **Options**

1x11W - 220/111

220-240V AC/DC* - 7

120V AC/DC* - 9

3000K - 830

4000K - 840

W - 2 pole on/off switch

Universal socket and isolating transformer
(compatible only with supply voltage 230V AC or 120V AC)
• G1 - 230V AC / max 8W
• G2 - 230V/120V AC / max 8W
• G3 - 120V AC / max 8W

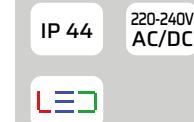


* supply voltage must be 230V AC or 120V AC when G1, G2, G3 is ordered

Example of type description

KJP 27-MLED/220/111/7/830/G1/W - light fitting with LED panel 1x11W; supply voltage 230V AC colour temperature 3000K; universal socket 230V AC; 2-pole switch

TECHNICAL DATA



OPTIONS



KJP 27



Type	Light source power / lamp base	Light source	Weight
KJP 27 - 1150	1 x 15 W / G 13	fluorescent lamp	1,8 kg
KJP 27 - 1180	1 x 18 W / G 13	fluorescent lamp	2,0 kg
KJP 27 - 1260	1 x 26 W / G24q-3	tubular compact fluorescent lamp	2,0 kg

Mirror luminaire, surface, 1x15W, 1x18W, 1x26W

Application

cabins, shower rooms, toilets, accomodation areas

Lamps (not included)

tubular compact fluorescent lamp 18W/26W, fluorescent lamp

Approvals

according to the rules of relevant classification societies, additional IEC

Cable entry

2 inlets, cable max Ø 11 mm

Housing

zinc coated steel, powder coated white

Electric

flexible wiring, heat resistant up to +105°C

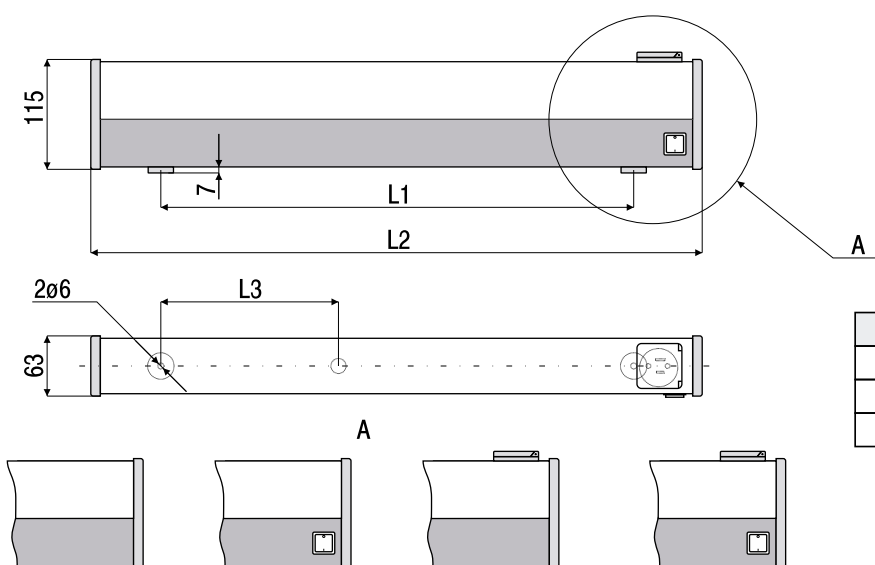
Diffuser

PC, opal

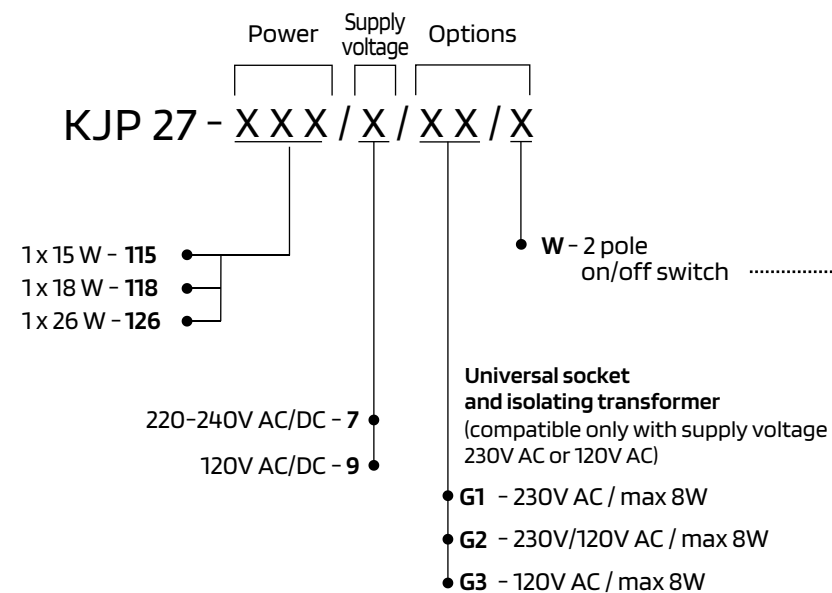
Mounting

2 mounting holes Ø 6 mm

DIMENSIONS [mm]



ORDER SPECIFICATION



* supply voltage must be 230V AC or 120V AC when G1, G2, G3 is ordered

Example of type description

KJP 27 - 1187/G2 - light fitting for one fluorescent lamp 18W with socket G13; supply voltage 220-240V AC/DC; universal socket and isolating transformer - 230V/120V

TECHNICAL DATA

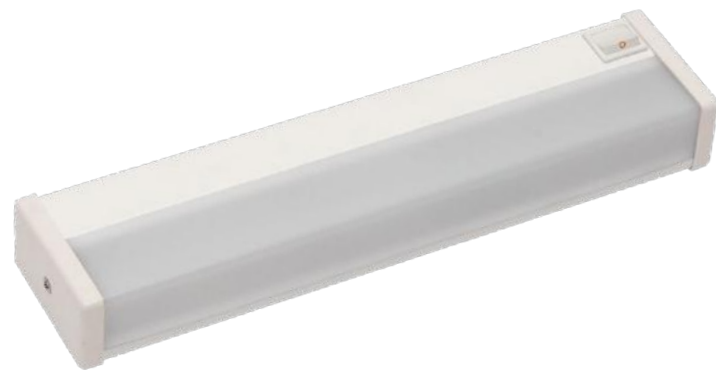
IP 44	220-240V AC/DC
G 13	G24q-3

OPTIONS

120V AC/DC



KJP 41 MLED



*switch is standard equipment

Type	Wattage	Light Source	Lumens	Weight
KJP 41-MLED/106	6 W	LED	960 lm	2,5 kg

Berth Light, surface, 1x6W LED

Application
cabins

Approvals
according to the rules
of relevant classification societies,
additional IEC

Housing
zinc coated steel,
powder coated white

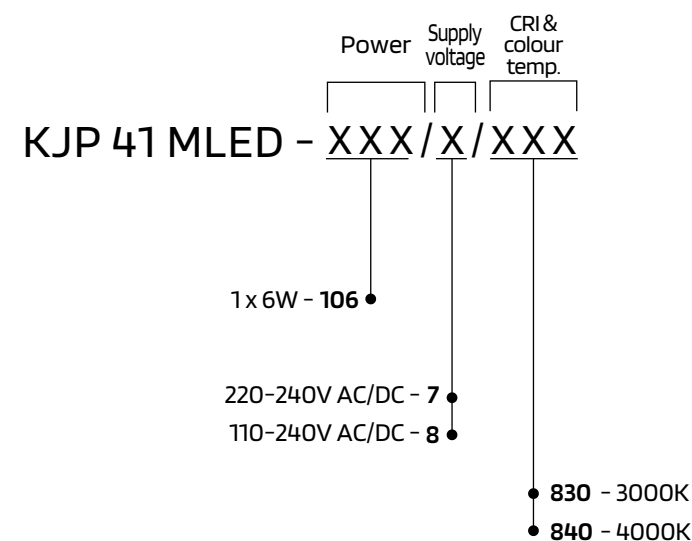
Diffuser
polycarbonate, opal

Electric
halogen free flexible wiring,
heat resistant up to +180°C,
2-pole switch

Cable entry
Plug and Socket (GST)

Mounting
2 mounting holes \varnothing 5,5 mm

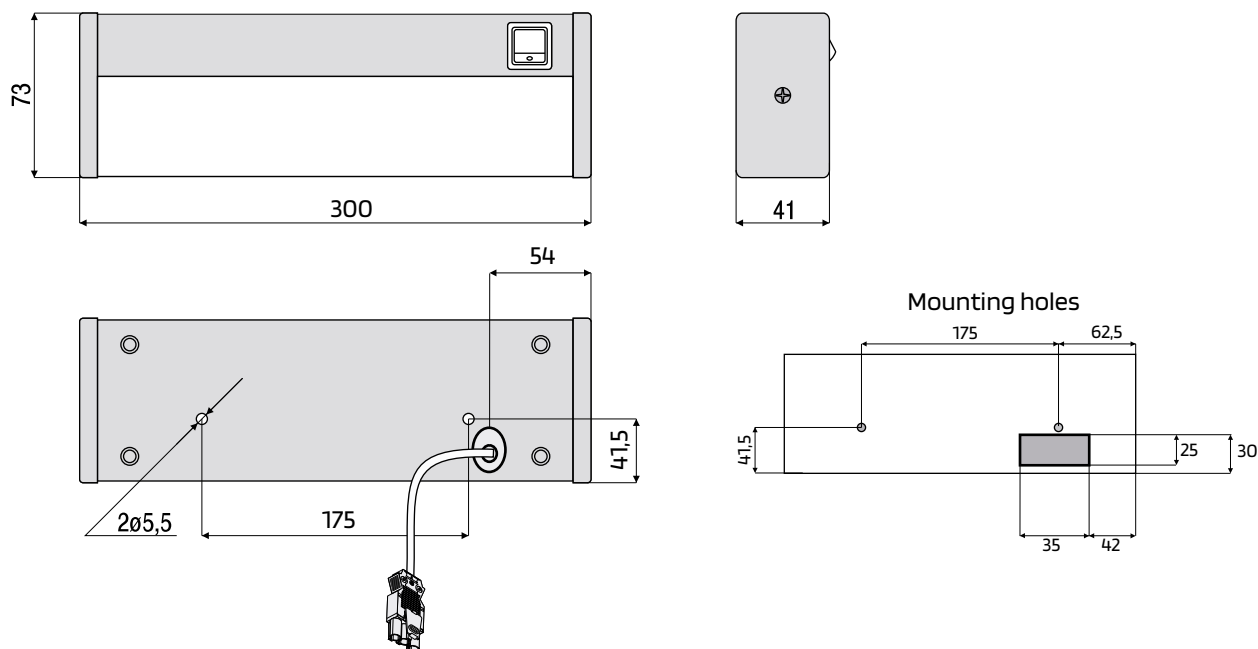
ORDER SPECIFICATION



Example of type description

KJP 41-MLED/107/7/830 - light fitting with LED source 1x6W; supply voltage 220-240V AC/DC; colour temperature 3000 K.

DIMENSIONS [mm]



TECHNICAL DATA



OPTIONS

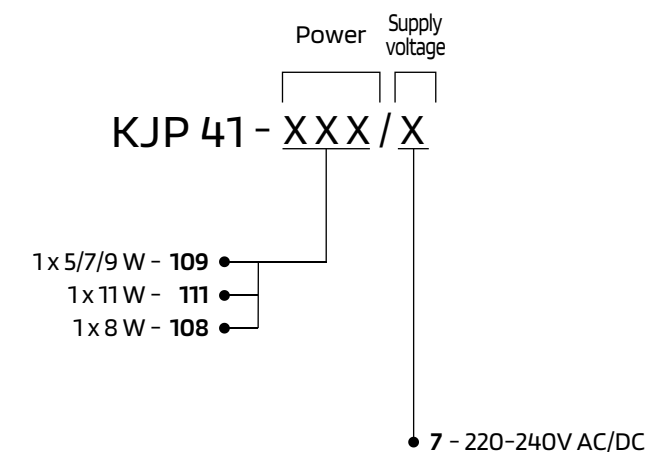


**KJP
41**



Type	Light source power / lamp base	Light source	Weight
KJP 41 - 109	1 x 5/7/9 W / G 23	tubular compact fluorescent lamp	0,9 kg
KJP 41 - 111	1 x 11 W / G 23	tubular compact fluorescent lamp	1,2 kg
KJP 41 - 108	1 x 8 W / G 5	fluorescent lamp	1,6 kg

ORDER SPECIFICATION



Berth Light, surface, 8W, 9W, 11W

Application
cabins

Lamps (not included)
tubular compact fluorescent lamp 5/7/9/11W,
fluorescent lamp 8W

Approvals
according to the rules of relevant
classification societies, additional IEC

Cable entry
1 inlet, cable max Ø 11 mm

Housing
zinc coated steel,
powder coated white

Electric
flexible wiring, heat resistant up to +105°C,
2-pole switch

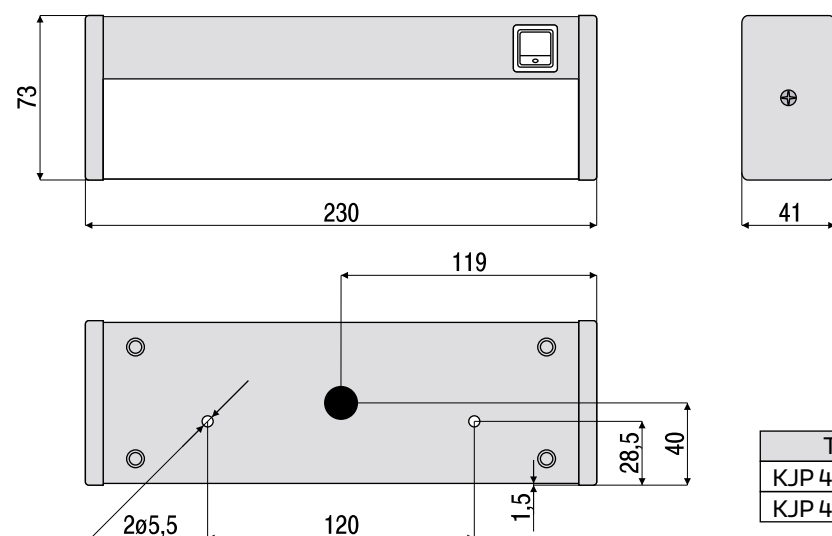
Diffuser
polycarbonate opal

Mounting
2 mounting holes Ø 5,5 mm

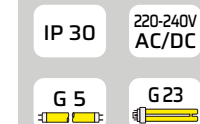
Example of type description

KJP 41 - 1117 light fitting for one tubular fluorescent lamp 11 W, supply voltage 220-240V AC/DC

DIMENSIONS [mm]



TECHNICAL DATA



KJP 28 MLED



Type	Wattage	Light source	Weight
KJP 28 LED	1W (integrated converter)	LED	1,2 kg

Wall Light, 1x1W LED

Approvals
according to the rules of relevant classification societies, additional IEC

Finish
with flexible arm length 28,5 cm

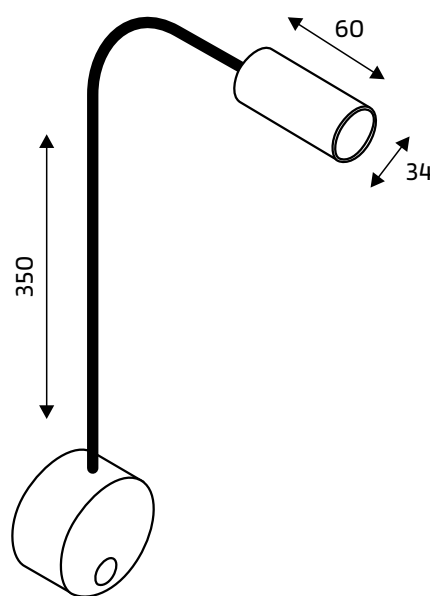
Colour
chrome plated

Lamps
power LED 1 W

Electric
230V, switch on/off included

Mounting
directly on wall, surface

DIMENSIONS [mm]



TECHNICAL DATA



Wall Light, 1x3,5W LED

Approvals
according to the rules of relevant classification societies, additional IEC

Finish
with flexible arm

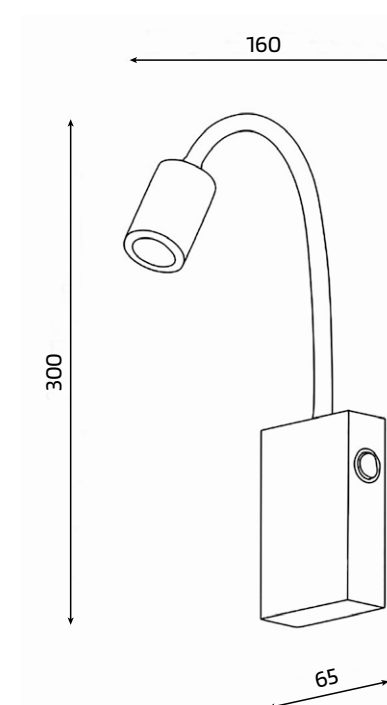
Colour
chrome plated

Lamps
power LED 3,5 W

Electric
220-240V, 50/60Hz on/off switch included,
USB 5V 2A

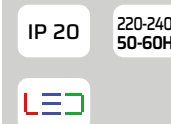
Mounting
directly on wall, surface

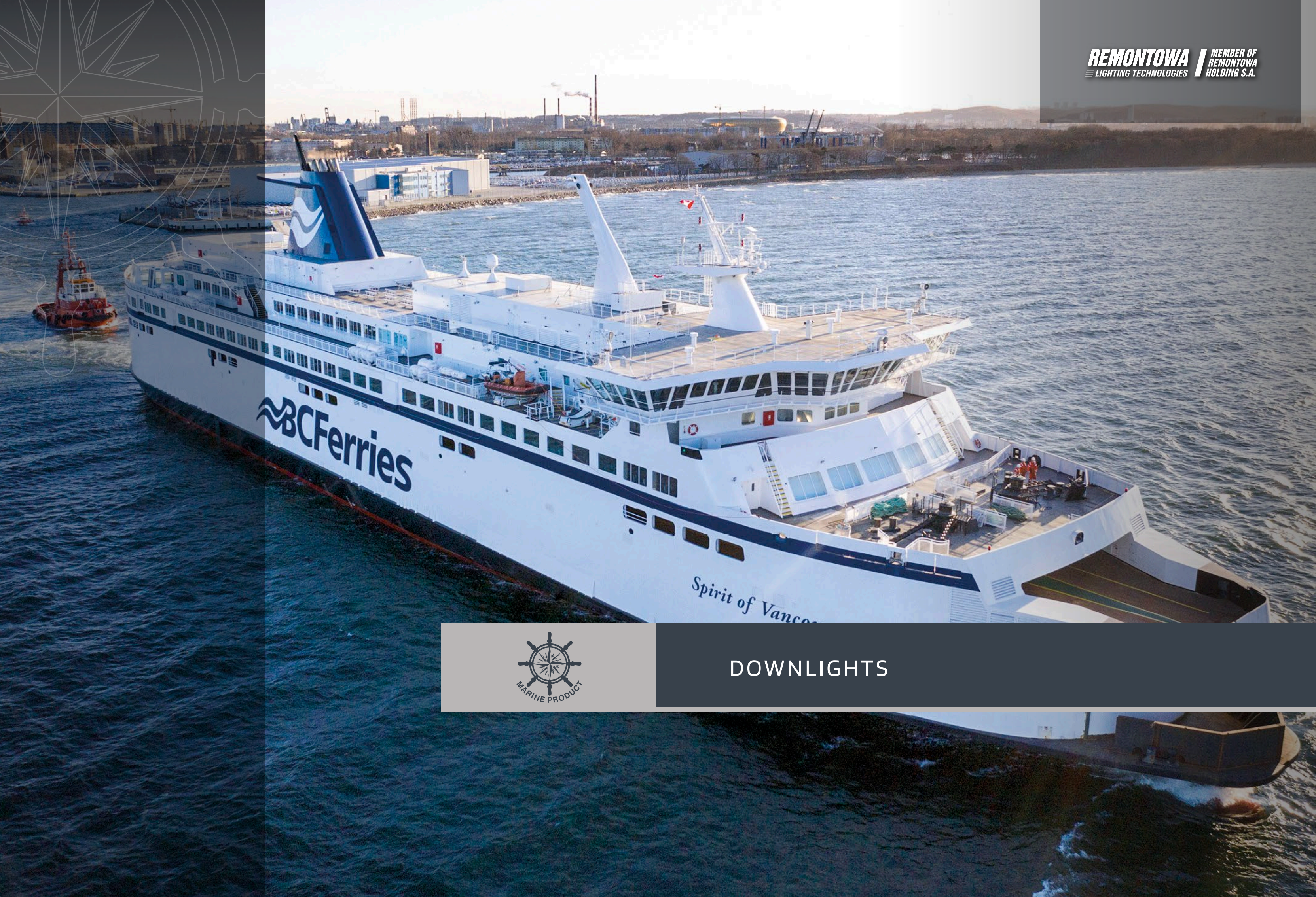
DIMENSIONS [mm]



Type	Wattage	Light source	Weight
KJP 28 LED QUADRO	3,5 W (integrated converter)	LED	1,2 kg

TECHNICAL DATA





DOWNLIGHTS

DLP 38 MLED



* decor ring must be ordered separately

Type	Wattage	Light source	Lumens	Weight
DLP 38-MLED 170/107/...	7 W	LED	980 lm	1,3 kg
DLP 38-MLED 170/112/...	12 W	LED	1370 lm	1,3 kg

Downlight, 1x7W / 1x12W LED

Application

cabins, lounges, dining rooms, accomodation rooms etc.

Cover

diffuser made of PC opal with decorative ring is an integral part of luminaire but must be ordered separately

Approvals

according to the rules of relevant classification societies, additional IEC

Cable entry

3/5 pole plug and socket

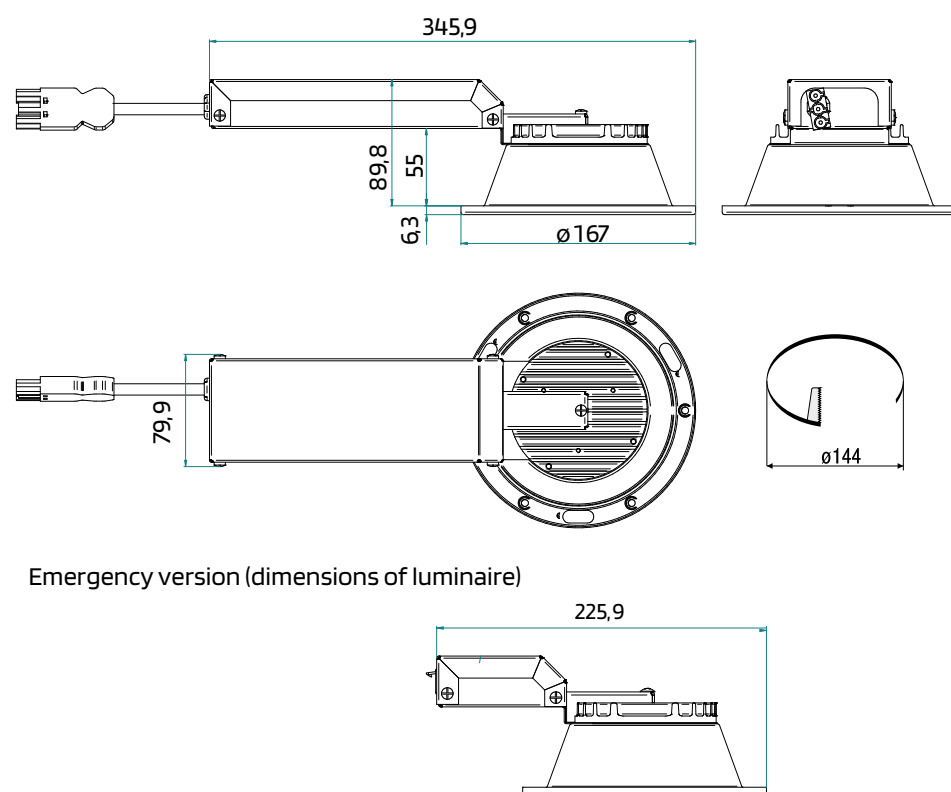
Housing

galvanized steel, powder coated white

Mounting

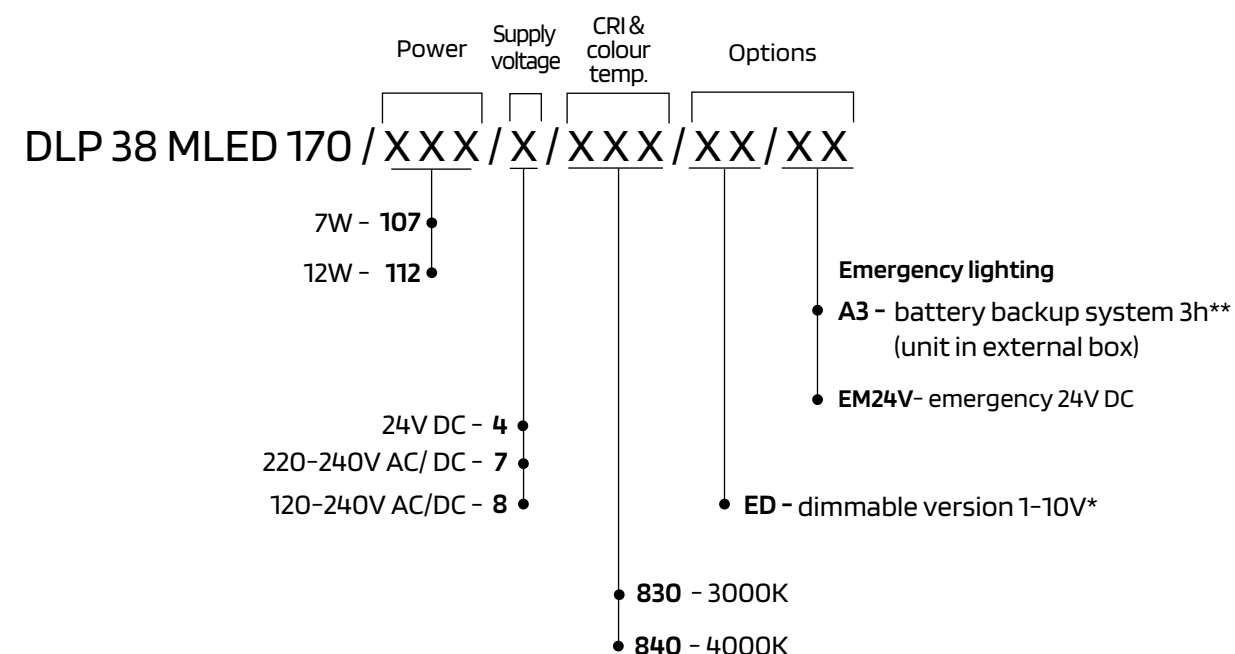
max 6 mounting holes, cut out: 144 mm

DIMENSIONS [mm]



Emergency version (dimensions of luminaire)

ORDER SPECIFICATION



*dimmable version is suitable only with AC current

Example of type description

DLP 38 MLED 170/112/7/830 light fitting with LED source 12W; supply voltage 220-240V AC/DC; colour temp 3000K;

Decor ring with diffuser is an integral part of luminaire but must be ordered separately

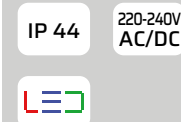


LD - SROP (silver ring, opal PC) ordering index: 31-339-9061
LD - WROP (white ring, opal PC) ordering index: 31-339-9060
 Coloured ring with RAL on special request: LD - RAL
 ordering index: 31-339-9062

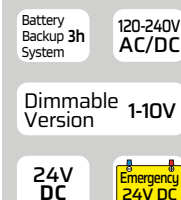


LD - WRRF (white ring, red filter) ordering index: 31-339-9066
LD - SRRF (silver ring, red filter) ordering index: 31-339-9067
 Coloured ring with RAL on special request: LD - RAL RF
 ordering index: 31-339-9068

TECHNICAL DATA



OPTIONS



**DLP
38**



* decor ring must be ordered separately

Type	Light source power / lamp base	Light source	Weight
DLP 38 - 113...	2 x 13 W / G24q1	tubular compact fluorescent lamp	1,3 kg
DLP 38 - 118...	2 x 18 W / G24q2	tubular compact fluorescent lamp	1,3 kg

Downlight, 1x13W / 1x18W

Application

cabins, lounges, dining rooms, accomodation areas

Approvals

according to the rules of relevant classification societies, additional IEC

Housing

galvanized steel, powder coated white

Reflector

aluminium finished in silver

Diffuser and cover ring

see next page

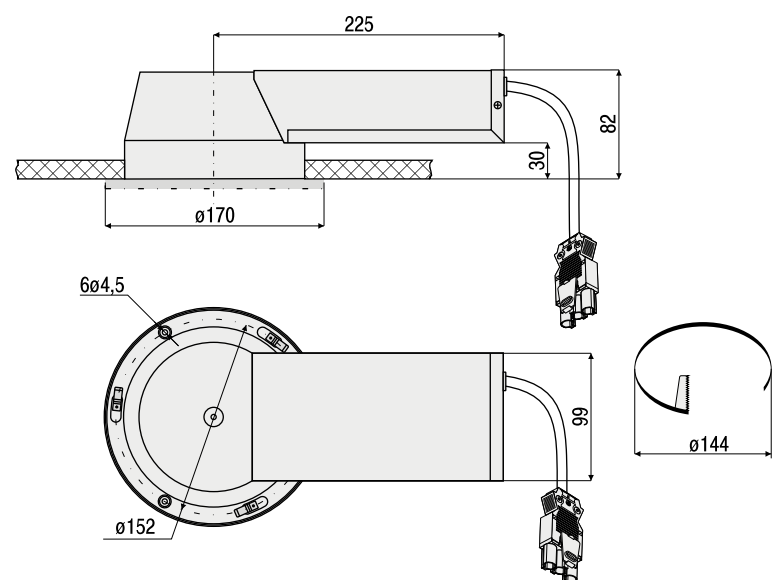
Lamps (not included)

tubular compact fluorescent lamp 13W/18W

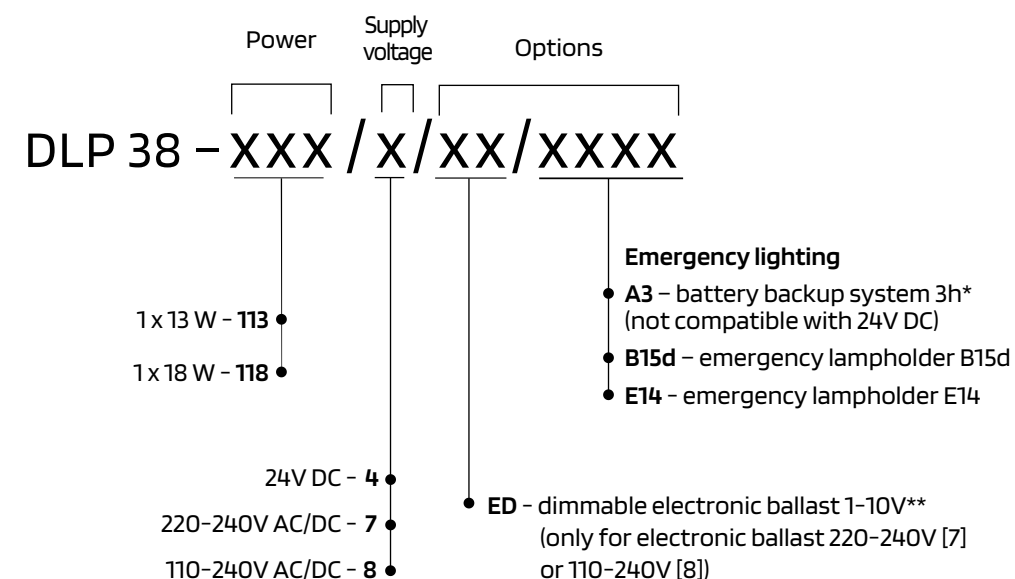
Electric

flexible wiring, heat resistant up to +105°C

DIMENSIONS [mm]



ORDER SPECIFICATION



* emergency unit in external box
** other dimmable systems to be discussed with manufacturer

Example of type description

DLP 38 - 1137 light fitting for tubular compact fluorescent lamp 13W with socket G24q-1; supply voltage 220-240V AC/DC

Decor components

Decor rings are ordered separately

Decor ring without diffuser IP20



white DR - W
silver DR - S
gold DR - G

Decor ring with diffuser IP 44



white ring, transparent PC DD - WRTP
silver ring, transparent PC DD - SRTP
gold ring, transparent PC DD - GRTP
white ring, opal PC DD - WROP
silver ring, opal PC DD - SROP
gold ring, opal PC DD - GROP

TECHNICAL DATA

- IP 20
- IP 44
- G24q-1
- G24q-2
- 220-240V AC/DC

OPTIONS

- 24V DC
- 110-240V AC/DC
- Dimmable Electronic Ballast 110V-240V 50-60Hz
- Dimmable Electronic Ballast 220V-240V 50-60Hz
- Emergency Lampholder B15d
- Emergency Lampholder E14
- Battery Backup 3h System

DLP 91



Type	Light source power / lamp base	Light source	Weight
DLP 91	max 50 W GU5.3	halogen lamp LED lamp	0,3 kg

Adjustable downlight, max 50W

Approvals

according to the rules of relevant classification societies, additional IEC

Housing

die - cast gold plated, chrome plated, white painted, other colours on request

Lamps (not included)

LED or halogen lamp max. 50W

Electric

12V, flexible wiring, heat resistant up to + 250°C

Connections

plug and socket /Wieland GST/

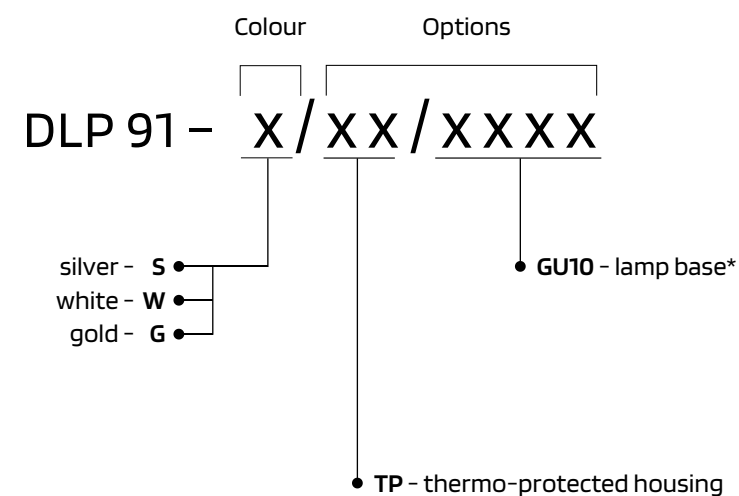
Mounting

with 2 fixing clips

Remark

electronic transformer ET - has to be ordered separately (not applicable to GU10)

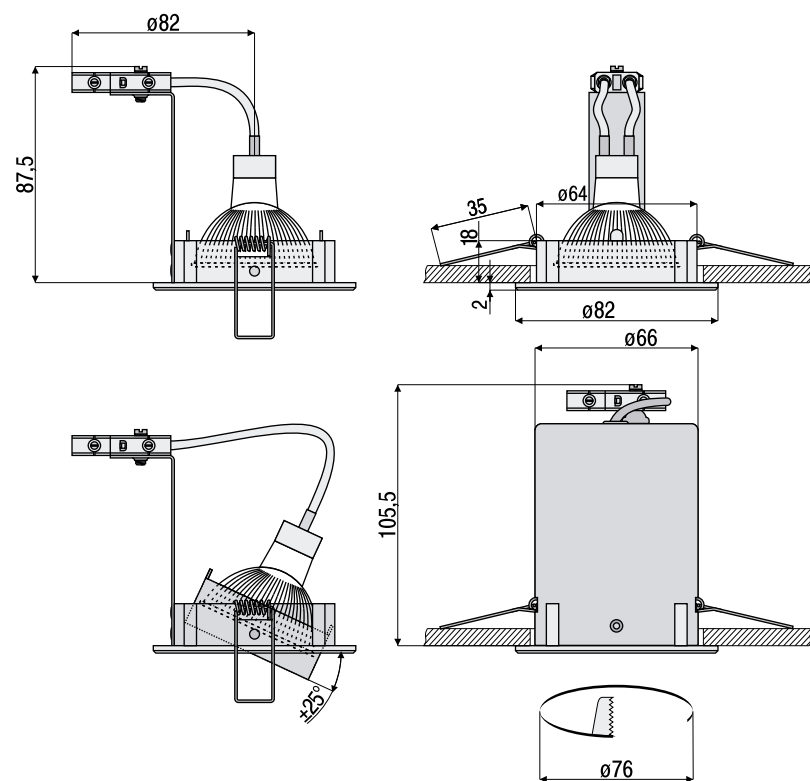
ORDER SPECIFICATION



Example of type description

DLP 91 - S light fitting for halogen lamp max 50W with socket GU5.3; colour - silver

DIMENSIONS [mm]



TECHNICAL DATA

IP 20 12V

GU 5,3

OPTIONS

Electronic Transformer 220V-240V 50-60Hz

Thermo-protected Housing

GU 10





DECORATIVE

JUPITER 1,2



Type	Light source power / lamp base	Light source	Weight
Jupiter 1	max 60 W / E 27	incandescent lamp	1,0 kg
Jupiter 2	max 60 W / E 27	incandescent lamp	1,1 kg

JUPITER 3,4



Type	Light source power / lamp base	Light source	Weight
Jupiter 3	max 60 W / E 27	incandescent lamp	1,3 kg
Jupiter 4	max 60 W / E 27	incandescent lamp	1,5 kg

Wall Light, max 60 W

Approvals
according to the rules of relevant classification societies, additional IEC

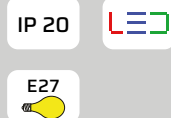
Shade
perlatex beige, washable

Housing
brass polished

Lamps (not included)
incandescent lamp, max 60 W,
LED lamp, max 20W

Electric
230V, 50Hz, flexible wiring,
heat resistant up to +105°C

TECHNICAL DATA



Wall Light, max 60 W

Approvals
according to the rules of relevant classification societies, additional IEC

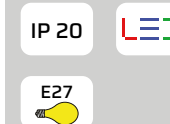
Shade
perlatex beige, washable

Housing
brass polished

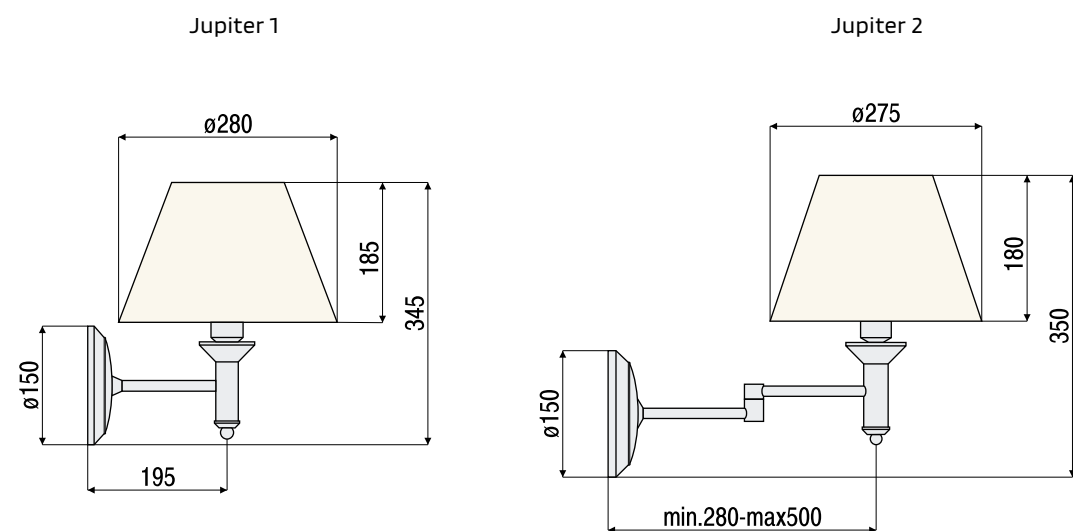
Lamps (not included)
incandescent lamp, max 60 W,
LED lamp, max 20W

Electric
230V, 50Hz, flexible wiring,
heat resistant up to +105°C

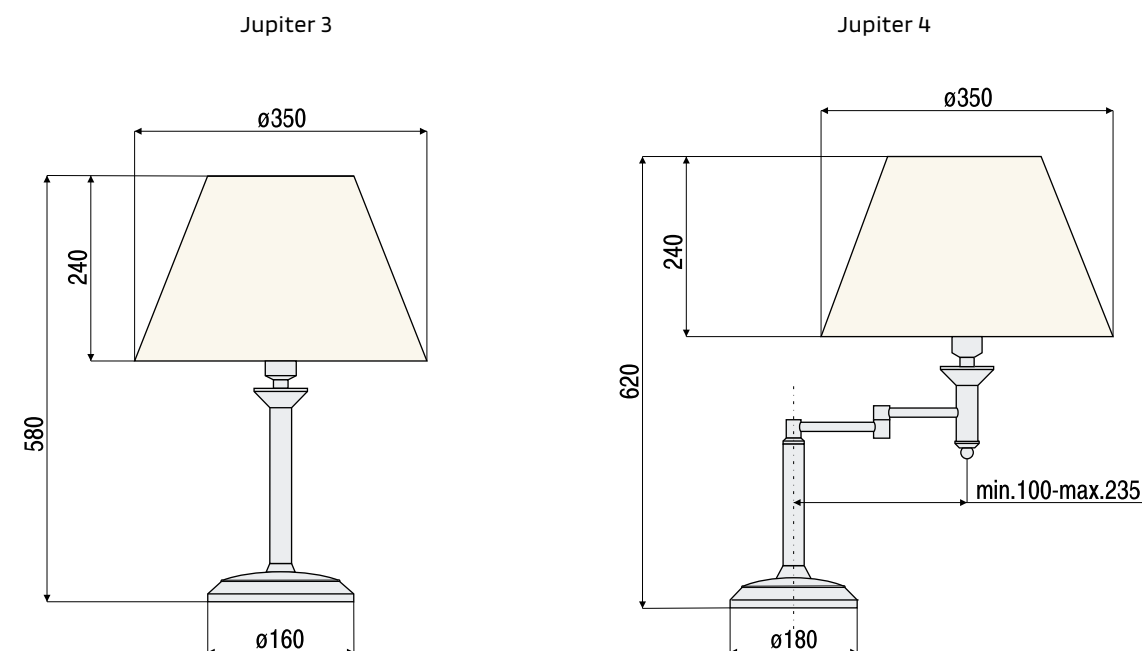
TECHNICAL DATA



DIMENSIONS [mm]



DIMENSIONS [mm]



JUPITER

5



Type	Light source power / lamp base	Light source	Weight
Jupiter 5	max 60 W / E 27	incandescent lamp	1,0 kg

Wall Light, max 60 W

Approvals
according to the rules of relevant classification societies, additional IEC

Shade
perlatex beige, washable

Housing
brass polished

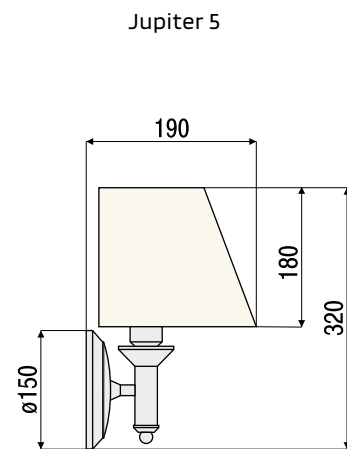
Lamps (not included)
incandescent lamp, max 60 W,
LED lamp, max 20W

Electric
230V, 50Hz,
flexible wiring,
heat resistant up to +105°C

TECHNICAL DATA



DIMENSIONS [mm]



JUPITER

7



Type	Light source power / lamp base	Light source	Weight
Jupiter 7	max 60 W / E 27	incandescent lamp	1,3 kg

Wall Light, max 60 W

Approvals
according to the rules of relevant classification societies, additional IEC

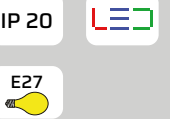
Shade
perlatex beige, washable

Housing
brass polished

Lamps (not included)
incandescent lamp, max 60 W,
LED lamp, max 20W

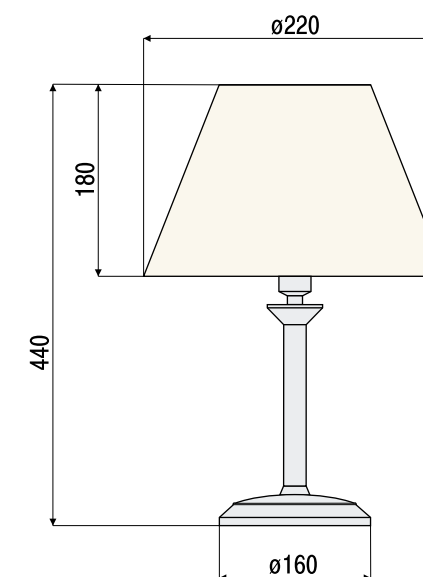
Electric
230V, 50Hz,
flexible wiring,
heat resistant up to +105°C

TECHNICAL DATA



DIMENSIONS [mm]

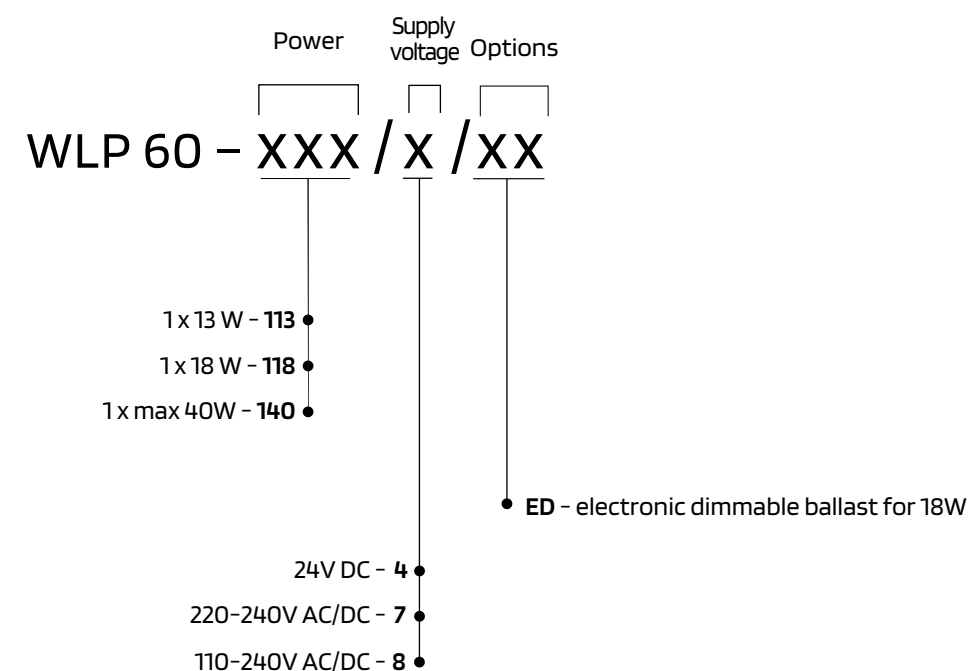
Jupiter 7



**WLP
60**



ORDER SPECIFICATION



Type	Light source power / lamp base	Light source	Weight
WLP 60 - 113...	1 x 13 W / G24q-1	tubular compact fluorescent lamp	0,9 kg
WLP 60 - 118...	1 x 18 W / G24q-2	tubular compact fluorescent lamp	0,9 kg
WLP 60 - 140	max 1x 40W / E14	incandescent lamp; LED lamp	0,8 kg

Wall luminaire, 1x13W/1x18W/1x max 40W

Approvals
according to the rules of relevant classification societies, additional IEC

Housing
zinc coated steel, powder coated white

Diffuser
polycarbonate, opal

Lamps (not included)
tubular compact fluorescent lamp 13W/18W;
incandescent lamp max 40W / E14;
LED lamp E14

Electric
flexible wiring,
heat resistant up to +105°C;
2-pole switch

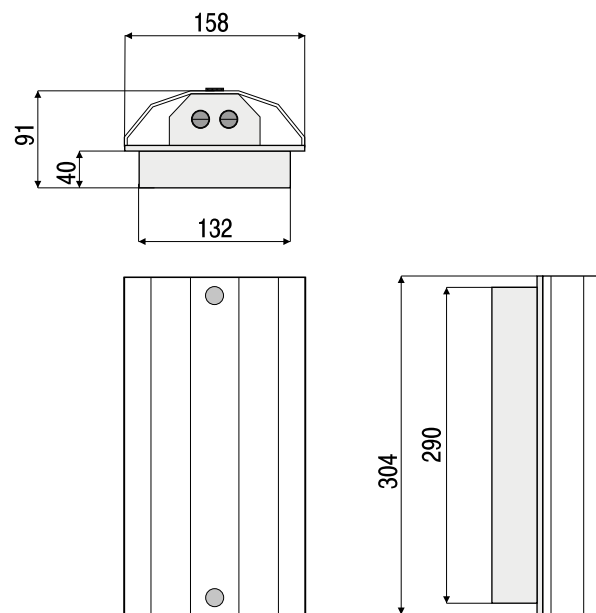
Cable entry
2 inlets, cable ø max 11 mm

Mounting
4 mounting holes ø 5 mm

Example of type description

WLP 60 - 1187 light fitting for one tubular compact fluorescent lamp 18W with socket G24q-2;
supply voltage 220-240V AC/DC

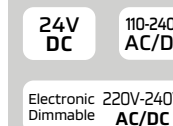
DIMENSIONS [mm]



TECHNICAL DATA



OPTIONS





OFFICE AND WORKPLACE

**TIP 14
MLED**



Type	Wattage	Light source	Length	Weight
TIP 14 MLED	9W	LED	flexible arm 700 mm	1,0 kg

Chart table light, 9W LED

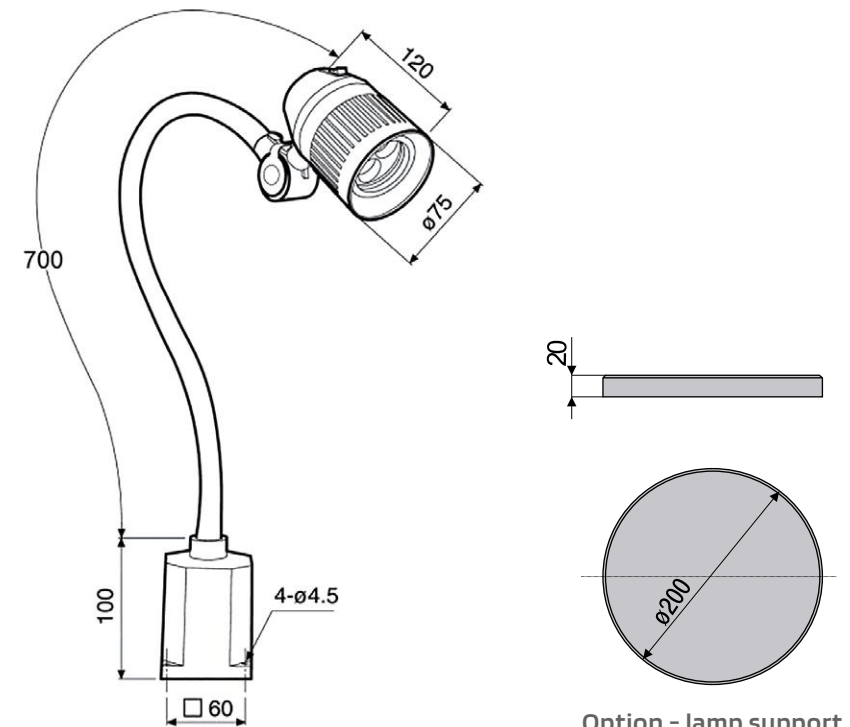
Approvals
according to the rules of relevant classification societies, additional IEC

Colour
black

Finish
with flexible arm, dimmable switch

Mounting
4 mounting holes \varnothing 5 mm

DIMENSIONS [mm]



Option - lamp support
*must be ordered separately

TECHNICAL DATA

IP 20 110V-240V AC/DC
LED

OPTIONS

Lamp support 24V DC



**TIP 15
MLED**



Type	Wattage	Light source	Length	Weight
TIP 15-MLED	12W	LED	flexible arm 675 mm	1,8 kg

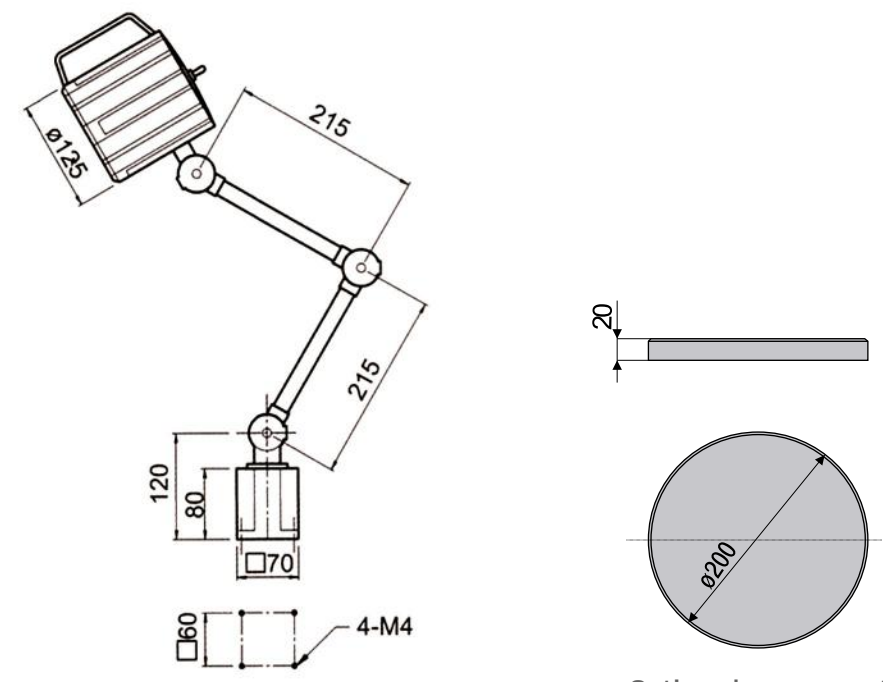
Table light, 12W

Approvals
according to the rules of relevant classification societies, additional IEC

Mounting
4 mounting holes \varnothing 5 mm

Finish
with flexible arm

DIMENSIONS [mm]



Option - lamp support
*must be ordered separately

TECHNICAL DATA

IP 65 LED
110V-240V AC/DC

OPTIONS

Lamp support 24V DC



**TIP 16
MLED**



Type	Wattage	Light source	Weight
TIP 16-MLED	14 W	LED	1,2 kg

Table light, 1x14W LED

Approvals
according to the rules of relevant classification societies, additional IEC

Finish
with flexible arm 500 mm, dimmable switch

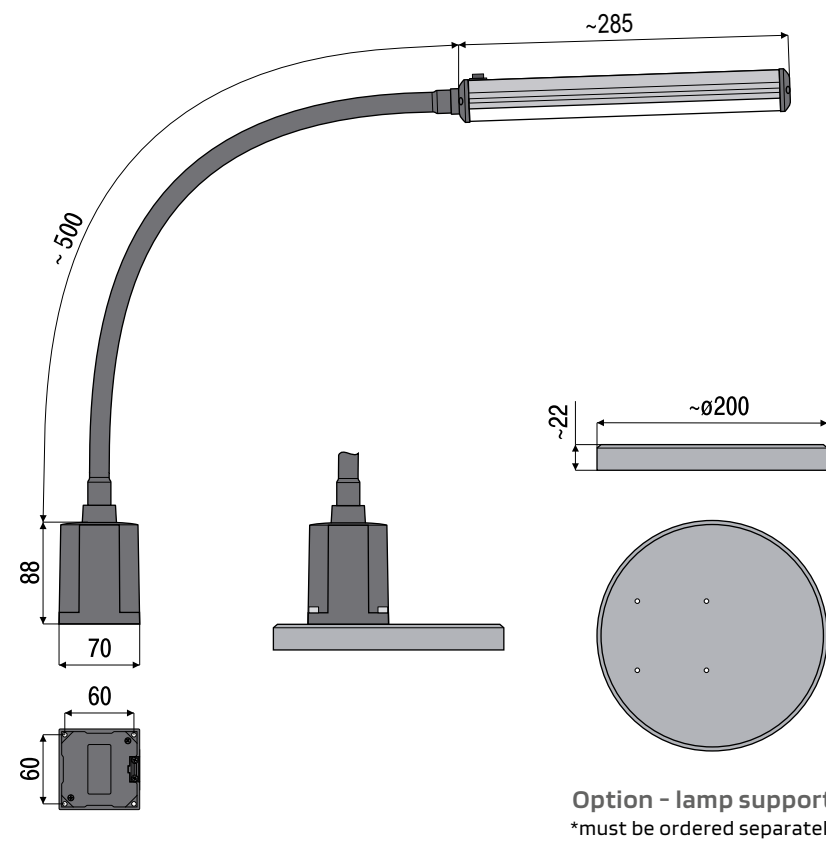
Colour
black

Lamps
LED 1x14W

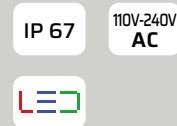
Electric
100-240V AC, 1,8 m power cable with europlug, switch in lamp head

Mounting
4 mounting holes \varnothing 4 mm

DIMENSIONS [mm]



TECHNICAL DATA



OPTIONS

Lamp support

**TIP 20
MLED**



Type	Wattage	Light source	Weight
TIP 20-4010/LED/ED	4 x 1W	LED	3,1 kg

Table light for reading maps, 4x1W

Approvals
according to the rules of relevant classification societies, additional IEC

Finish
metal construction

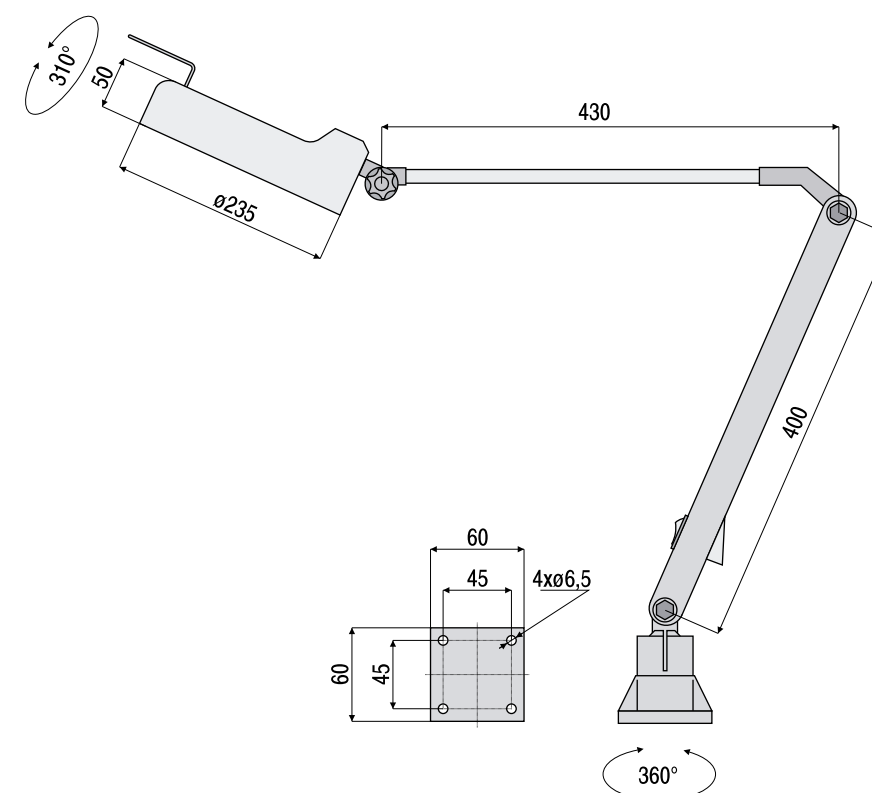
Lens
biconvex glass lens 120 mm, 3-diopters (= 1,75x power)

Lamps
LED

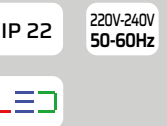
Electric
1,5 m cable, dimmable switch

Mounting
with screw down base

DIMENSIONS [mm]



TECHNICAL DATA



OPTIONS

Lamp support



EMERGENCY

HLP 02 MLED



Type	Wattage	Light source	Functions	Weight
HLP 02 MLED/7	7 W	LED panel	non-maintained	1,0 kg
HLP 02 MLED/7	7 W	LED panel	maintained	1,0 kg

Emergency and evacuation LED lighting fitting, surface, 1x 7W

Application
emergency light,
illuminated sign for passage ways,
public areas, etc.

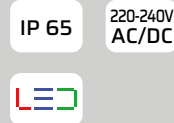
Housing
PC

Mounting
direct wall or ceiling instalation

Visibility
20 m

Remarks
pictograms on request

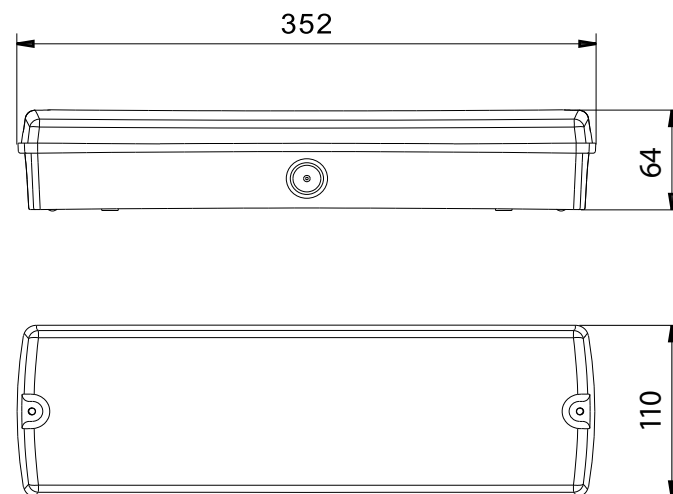
TECHNICAL DATA



OPTIONS



DIMENSIONS [mm]



HLP 20 MLED



Type	Wattage	Light source	Weight
HLP 20 MLED220/105	5 W	LED	1,2 kg

Emergency luminaire, 5W LED

Application
emergency light, illuminated sign
for passage ways, public areas, etc.

Approvals
according to the rules of relevant
classification societies, additional IEC

Housing
zinc coated steel, powder coated white

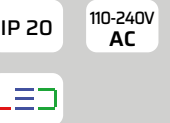
Electric
flexible wiring, heat resistant up to +105°C

Cable connection
3-pole plug

Mounting
mounting holes \varnothing 4,8 mm

Remarks
pictograms on request

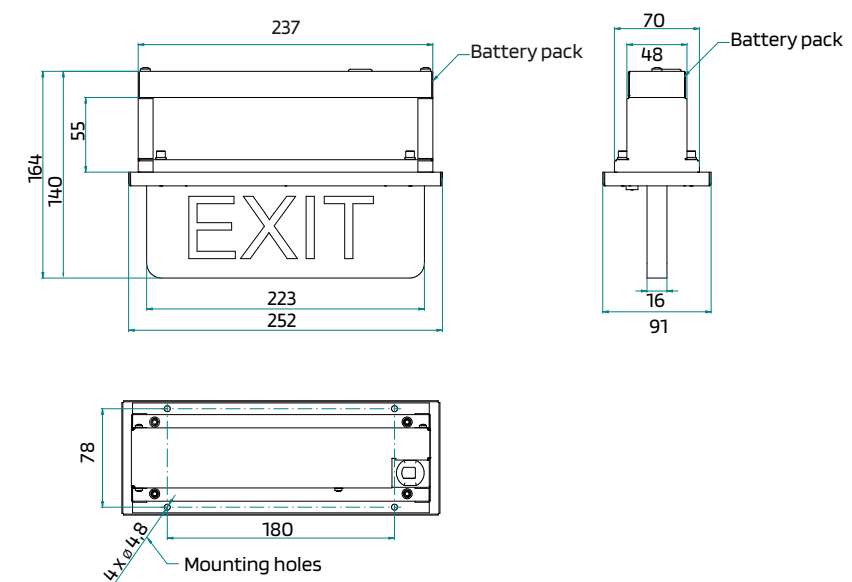
TECHNICAL DATA



OPTIONS



DIMENSIONS [mm]





REMONTOWA LIGHTING TECHNOLOGIES S.A.

NA OSTROWIU 1 STREET, 80-958 GDAŃSK, POLAND

+48 58 520 74 29

RLT@RLT.RH.PL

SALES OFFICE:

+48 728 939 427

+48 58 520 74 11

ZAMOWIENIA@RLT.RH.PL

PolamRem 

POLAMREM® IS A TRADEMARK
OF REMONTOWA LIGHTING TECHNOLOGIES S.A

www.rlt.rh.pl