

# DEP 28 MLED



Type	Wattage	Light Source	Lumens	Weight
DEP 28-MLED-220/211/...	2 x 11 W	LED	2 x 1250 lm	4,9 kg
DEP 28-MLED-240/411/...	4 x 11 W	LED	4 x 1250 lm	5,2 kg

## Ceiling Luminaire, recessed, 2x11W / 4x11W LED

### Application

accommodation areas, passage ways, cabins, etc.

### Diffuser

prismatic or opal diffuser

### Approvals

according to the rules of relevant classification societies, additional IEC

### Cable entry

2 cable entries  $\varnothing$  20 mm

### Housing

zinc coated steel, powder painted white

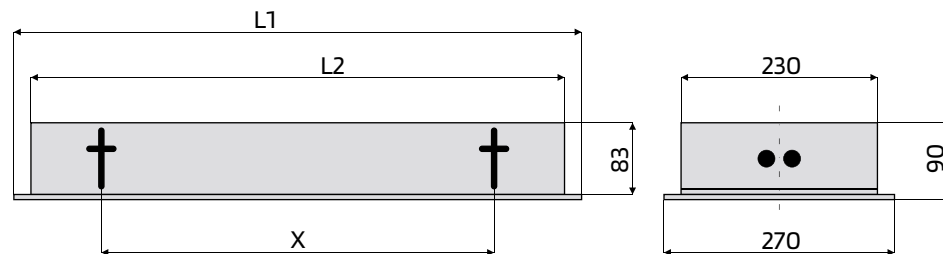
### Mounting

4 mounting brackets, cut out:

2 x 11 W: 630x236 mm

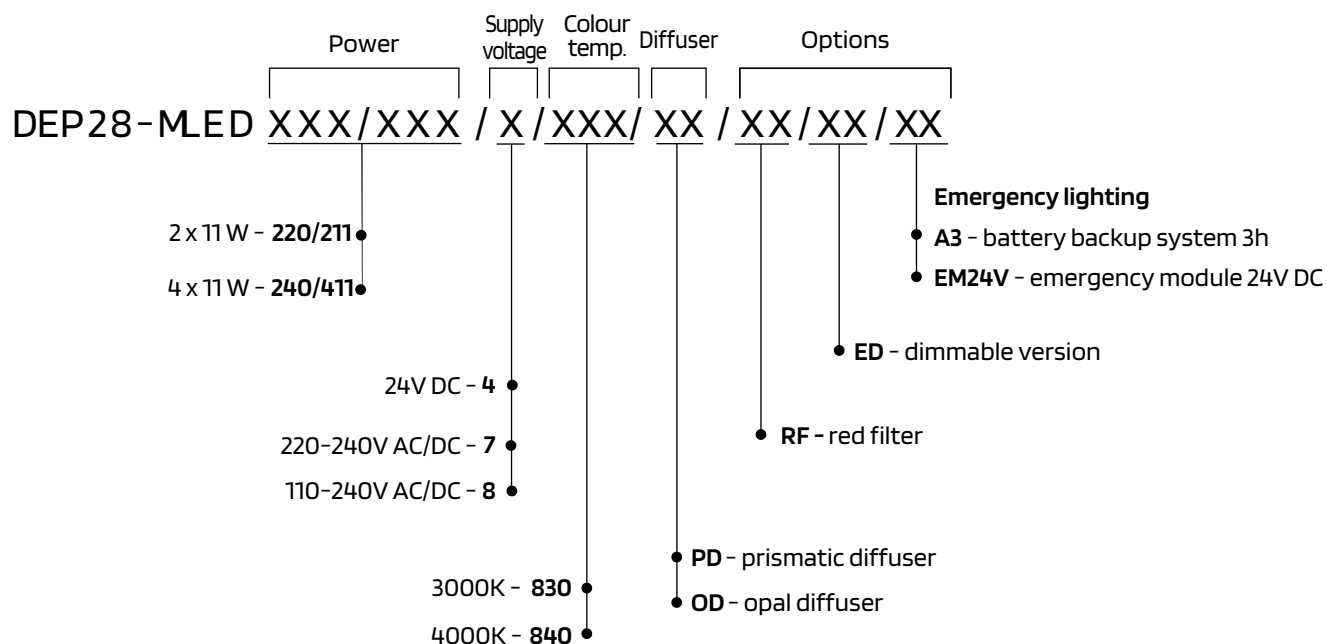
4 x 11 W: 1240x236 mm

## DIMENSIONS [ mm ]



Type	L1	L2	X
DEP 28/2x11W	663	625	460
DEP 28/4x11W	1273	1235	1070

## ORDER SPECIFICATION



### Example of type description

**DEP 28-MLED 220/211/7/PD** - light fitting with LED source 2x11W, supply voltage 220-240V AC/DC, prismatic diffuser

### TECHNICAL DATA

IP 44

220-240V  
AC/DC



### OPTIONS

Battery Backup System 3h

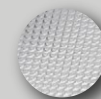
Dimmable version

24V DC

110V-240V AC/DC

Red Filter

Optional diffusers:



PD - prismatic



OD - opal