

INDUSTRIAL  
LUMINAIRES

# CLP10

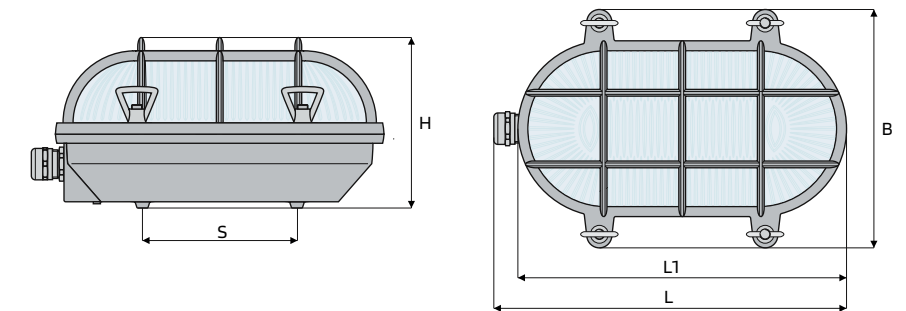


IP 65; A80; CLASS I



DIMENSIONS [mm]

Type	L	L1	B	H	S
CLP 10	246	230	167	120	109



## APPLICATION

Dustproof and watertight luminaire for incandescent lamps. Suitable for lighting outdoor and indoor industrial facilities and utility rooms.

TYPE	WATTAGE	LAMP BASE	WEIGHT
CLP 10-1100	Max. 15 W LED	E27	1,4 kg

## TECHNICAL DATA

Protection degree:	IP 65
Protection class:	I
Power factor:	≥ 0,85
Ambient temperature:	from -20°C to +45°C

## CONSTRUCTION

Housing:	brass cast
Diffuser:	tempered glass covered with brass protection grid

Varnished metal parts.  
Other RAL colour available.

### TECHNICAL DATA



### APPROVALS

