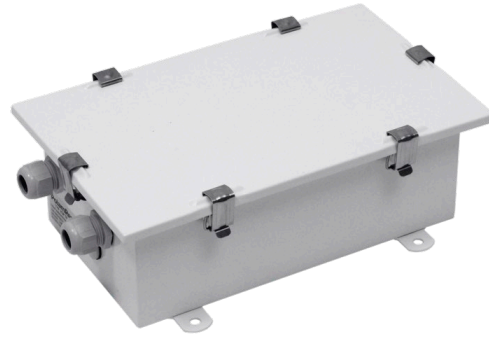


# VGP 76 HPS/MH



Type		Power	Weight
230V-250V / 50Hz	230V-250V / 60Hz		
VGP 76 - 1250	VGP 76 - 1251	1 x 250W	10,6 kg
VGP 76 - 1400	VGP 76 - 1401	1 x 400W	10,8 kg
VGP 76 - 2250	VGP 76 - 2251	2 x 250W	18,4 kg
VGP 76 - 2400	VGP 76 - 2401	2 x 400W	19,4 kg

## Ballast Unit for HPS/MH Floodlight 1x250W/1x400W/2x250W/2x400W

### Application

decks and holds, industrial areas

### Approvals

according to the rules of relevant classification societies, additional IEC

### Housing

stainless steel, powder coated white

### Electric

flexible wiring, heat resistant up to +105°C

### Cable entry

max. 4 cable glands, brass, M 24x1.5, with earthing insert

### Mounting

4 mounting holes,  $\varnothing 10$  mm

### Remark

floodlight has to be ordered separately

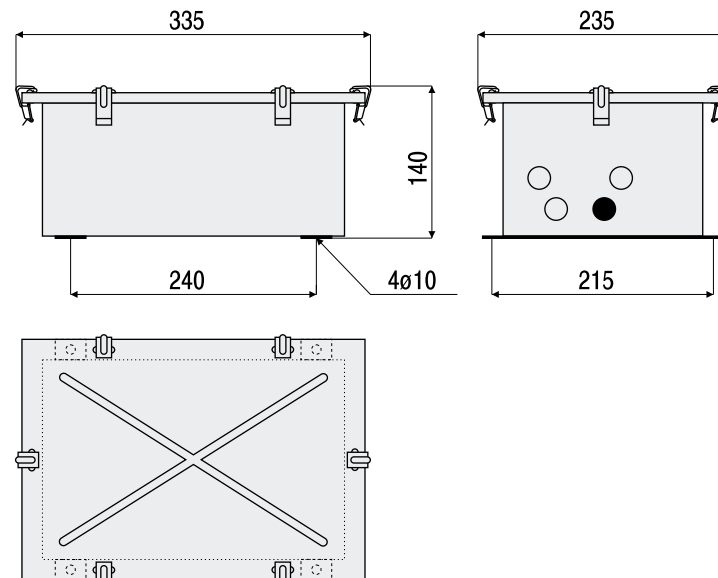
### TECHNICAL DATA

230V-250V  
50Hz

230V-250V  
60Hz

IP 67

### DIMENSIONS [ mm ]



### OPTIONS

SC-Glands for screen cable