

**TZP  
44**



Type	Light source power / lamp base	Light source	Weight
TZP 44 - 118	1 x 18 W / G 13	fluorescent lamps for low temp.	3,5 kg
TZP 44 - 218	2 x 18 W / G 13		4,0 kg
TZP 44 - 136	1 x 36 W / G 13		5,6 kg
TZP 44 - 236	2 x 36 W / G 13		6,2 kg

### Coldroom Luminare, surface 1x18W/2x18W; 1x36W/2x36W

#### Application

coldroom, refrigerated areas, freezing rooms

#### Diffuser

polycarbonate, clear

#### Approvals

according to the rules of relevant classification societies, additional IEC

#### Lamps (not included)

fluorescent lamps for low temp. 18W/36W

#### Ambient temp.

-30°C to +45°C

#### Electric

flexible wiring, heat resistant up to +105°C

#### Housing

zinc coated steel, seamless deep drawn, powder coated white

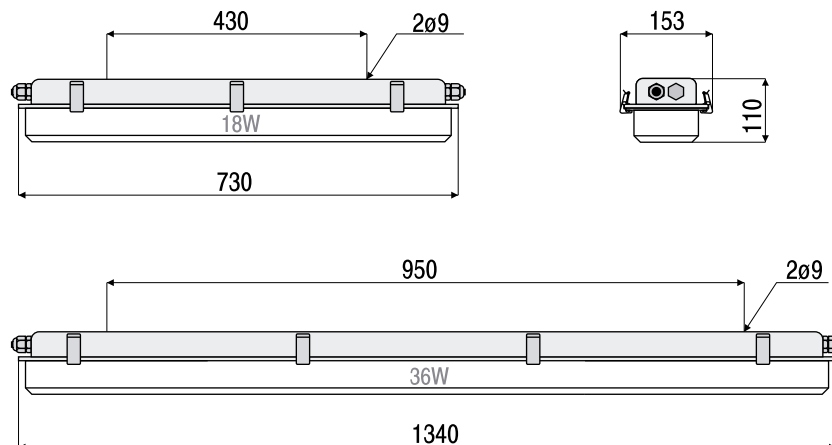
#### Cable entry

max 4 cable glands, see drawing A

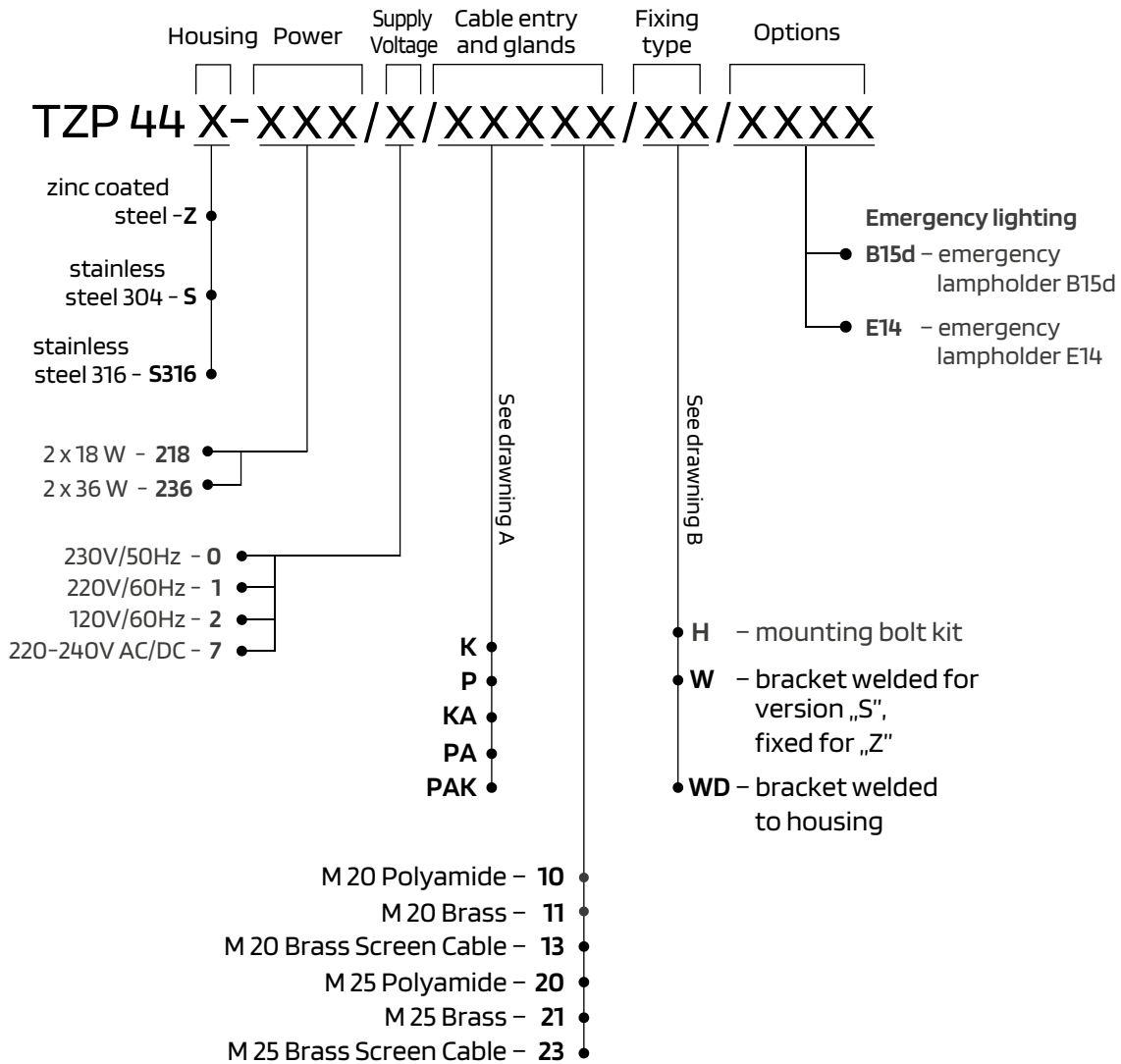
#### Mounting

2, 4 or 8 mounting holes,  $\varnothing$  9 mm

### DIMENSIONS [ mm ]



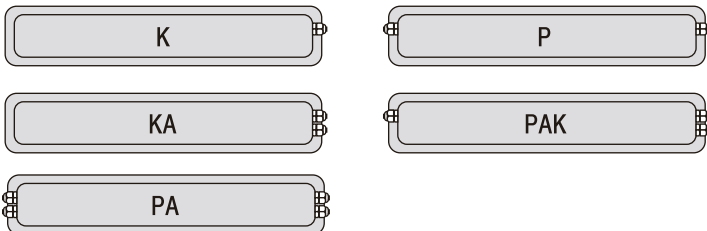
# ORDER SPECIFICATION



## Example of type description

**TZP 44Z-2187/P10/W** - light fitting for two fluorescent lamps 18W with socket G13; supply voltage 220-240V AC/DC; through wiring (2 polyamide cable glands M20); fixing- two "W" brackets

## A. Cable entry



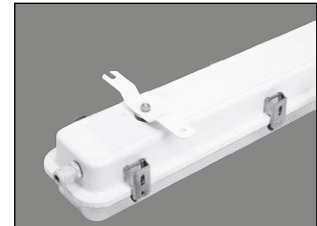
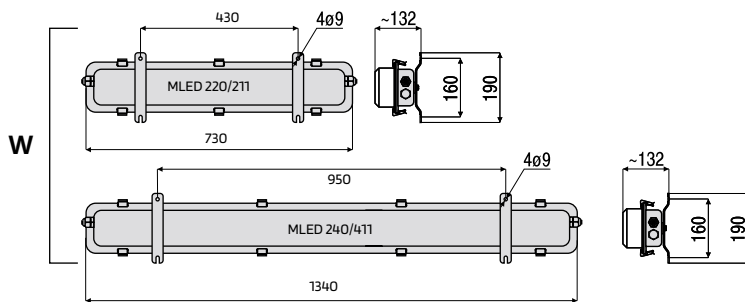
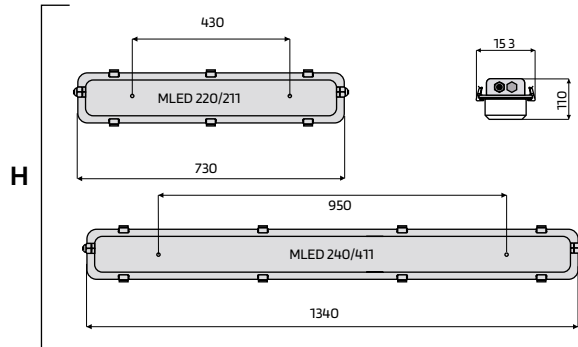
## TECHNICAL DATA

IP 67	230V 50Hz
G 13	220-240V AC/DC
-30°C	+45°C

## OPTIONS

220V 60Hz	230V 50Hz
120V 60Hz	SC-Glands for screen cable
Emergency Lampholder B15d	Emergency Lampholder E14
Stainless Steel Housing	

**B. Fixing type**



fixed for „Z“ version  
welded for „S“ version

