

# TZP 44 MLED



Type	Wattage	Light source	Lumens	Weight
TZP 44-MLED220/211/...	2 x 11 W	LED	2 x 1250 lm	3,9 kg
TZP 44-MLED240/411/...	4 x 11 W		4 x 1250 lm	4,2 kg

## Coldroom Luminaire, surface, 2x11W/4x11W LED

### Application

coldroom, refrigerated areas,  
freezing rooms

### Diffuser

polycarbonate, clear

### Approvals

according to the rules of relevant  
classification societies, additional IEC

### Electric

flexible wiring, heat resistant  
up to +105°C

### Housing

zinc coated steel or stainless steel,  
powder coated white

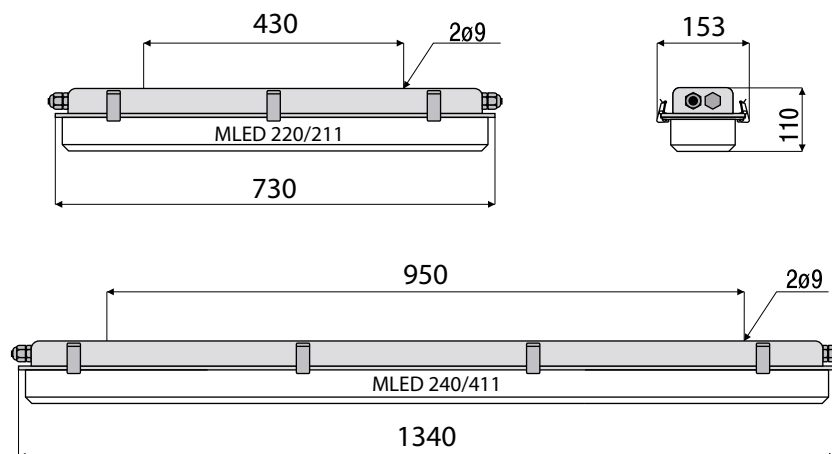
### Cable entry

max 4 cable glands, see drawing A

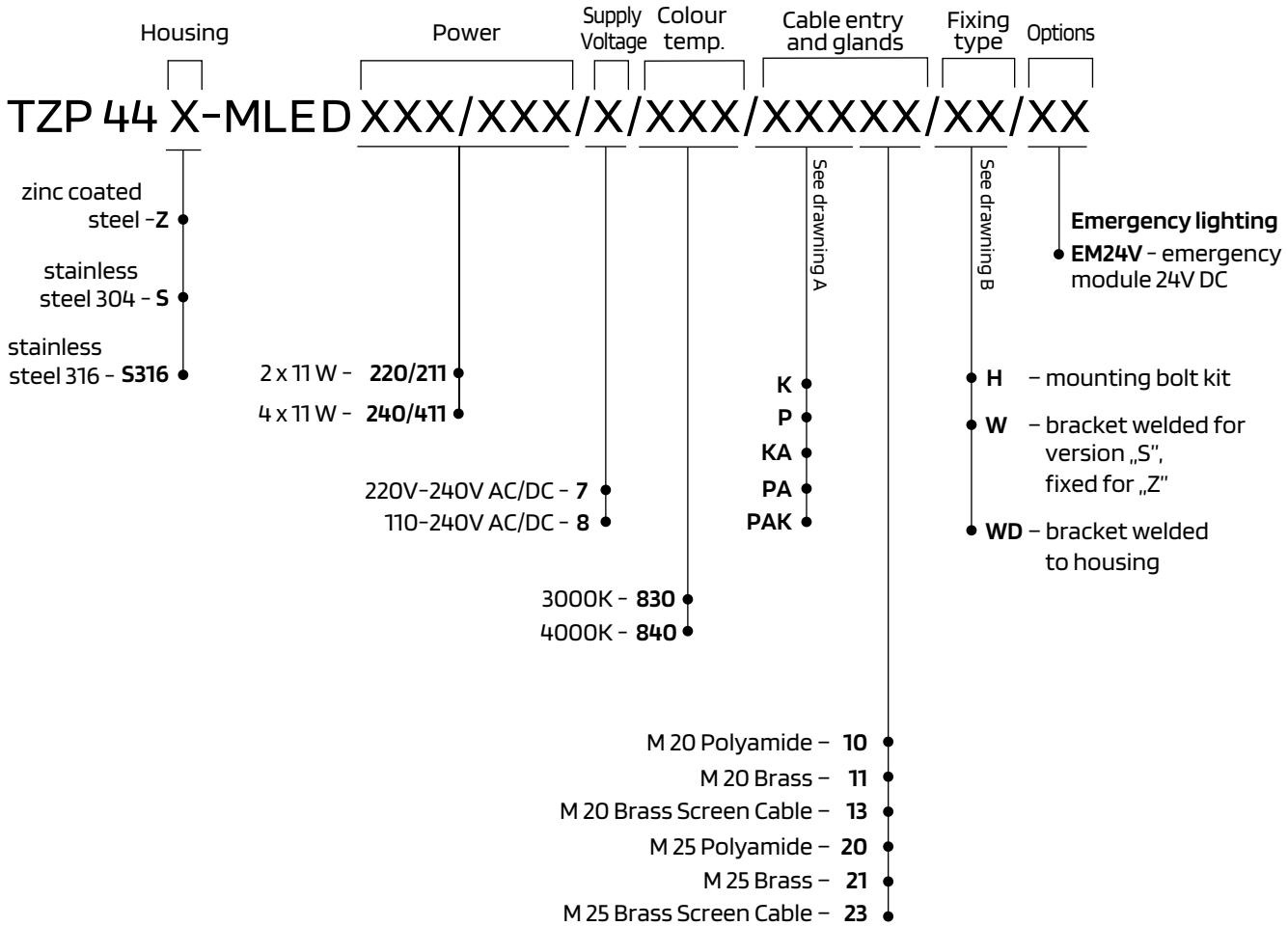
### Mounting

See drawing B

## DIMENSIONS [ mm ]



# ORDER SPECIFICATION



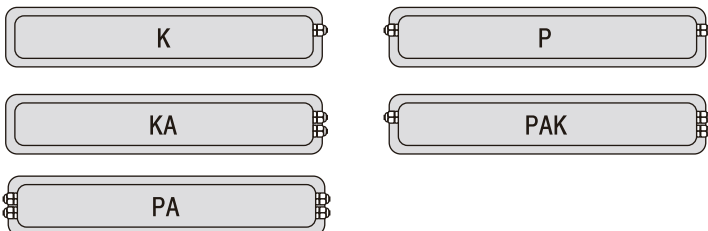
## TECHNICAL DATA

- IP 66
- IP 67
- 220-240V AC/DC
- 30°C
- +45°C

### Example of type description

**TZP 44S-MLED 220/211/7/830/P11/W** - stainless steel 304 light fitting with LED panels (2x11W), power supply 220-240V AC/DC; light color temp.: 3000K; through wiring ( 2 brass glands M20); fixing - two „w” brackets

### A. Cable entry



M 20			M 25		
Polyamide	Brass	Brass SC	Polyamide	Brass	Brass SC
Cable dia. 6-12 /mm/	Cable dia. 8-14,5 /mm/	Cable dia. 7-12,5 /mm/	Cable dia. 11-17 /mm/	Cable dia. 9-17 /mm/	Cable dia. 9-17 /mm/
<b>10</b>	<b>11</b>	<b>13</b>	<b>20</b>	<b>21</b>	<b>23</b>

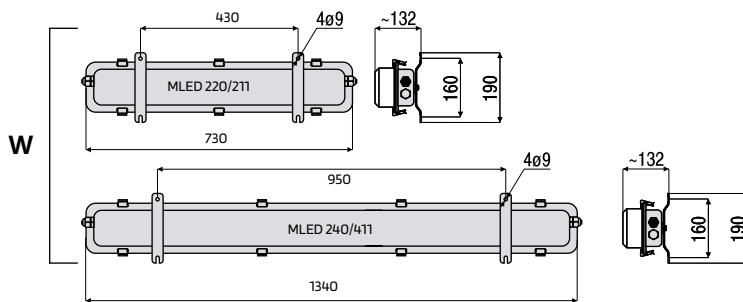
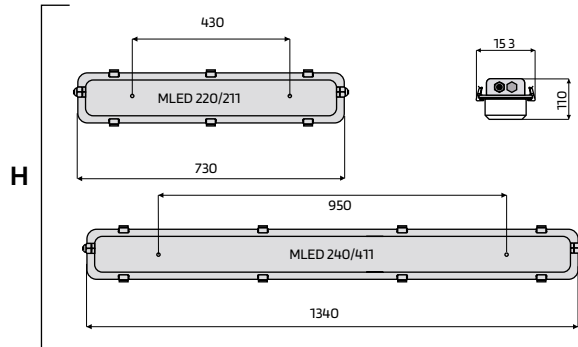
## OPTIONS

- Stainless Steel Housing
- Emergency 24V DC
- 110-240V AC/DC



# TZP 44 MLED

## B. Fixing type



fixed for „Z“ version  
welded for „S“ version

