

**TLP
67**



Type	Light source power / lamp base	Light source	Weight
TLP 67-118	1 x 18 W / G 13	fluorescent lamp	3,5 kg
TLP 67-218	2 x 18 W / G 13		4,0 kg
TLP 67-136	1 x 36 W / G 13		5,6 kg
TLP 67-236	2 x 36 W / G 13		6,2 kg

Watertight luminaire, surface 1x18W/2x18W; 1x36W/2x36W

Application

watertight luminaire for decks, engine rooms, holds, storage yards, working spaces, in dustrial areas, etc.

Lamps (not included)

fluorescent lamp 18W/36W

Approvals

according to the rules of relevant classification societies, additional IEC

Electric

flexible wiring, heat resistant up to +105°C

Housing

zinc coated steel or stainless steel, powder coated white

Cable entry

max 4 cable glands, see drawing A

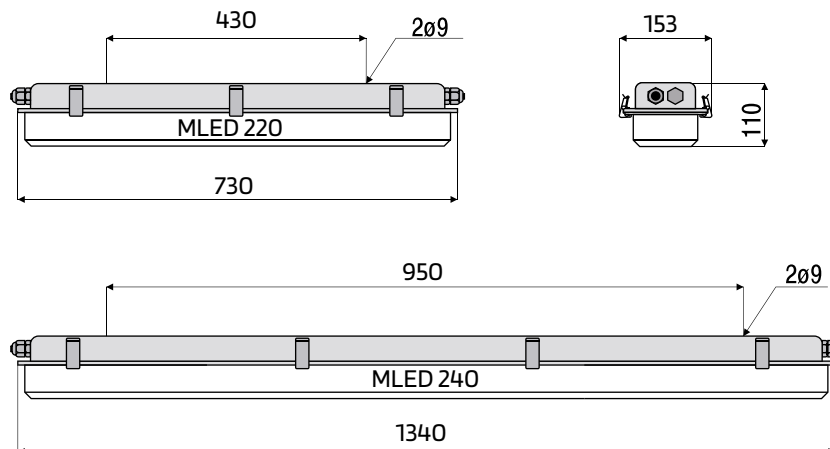
Diffuser

polycarbonate, clear

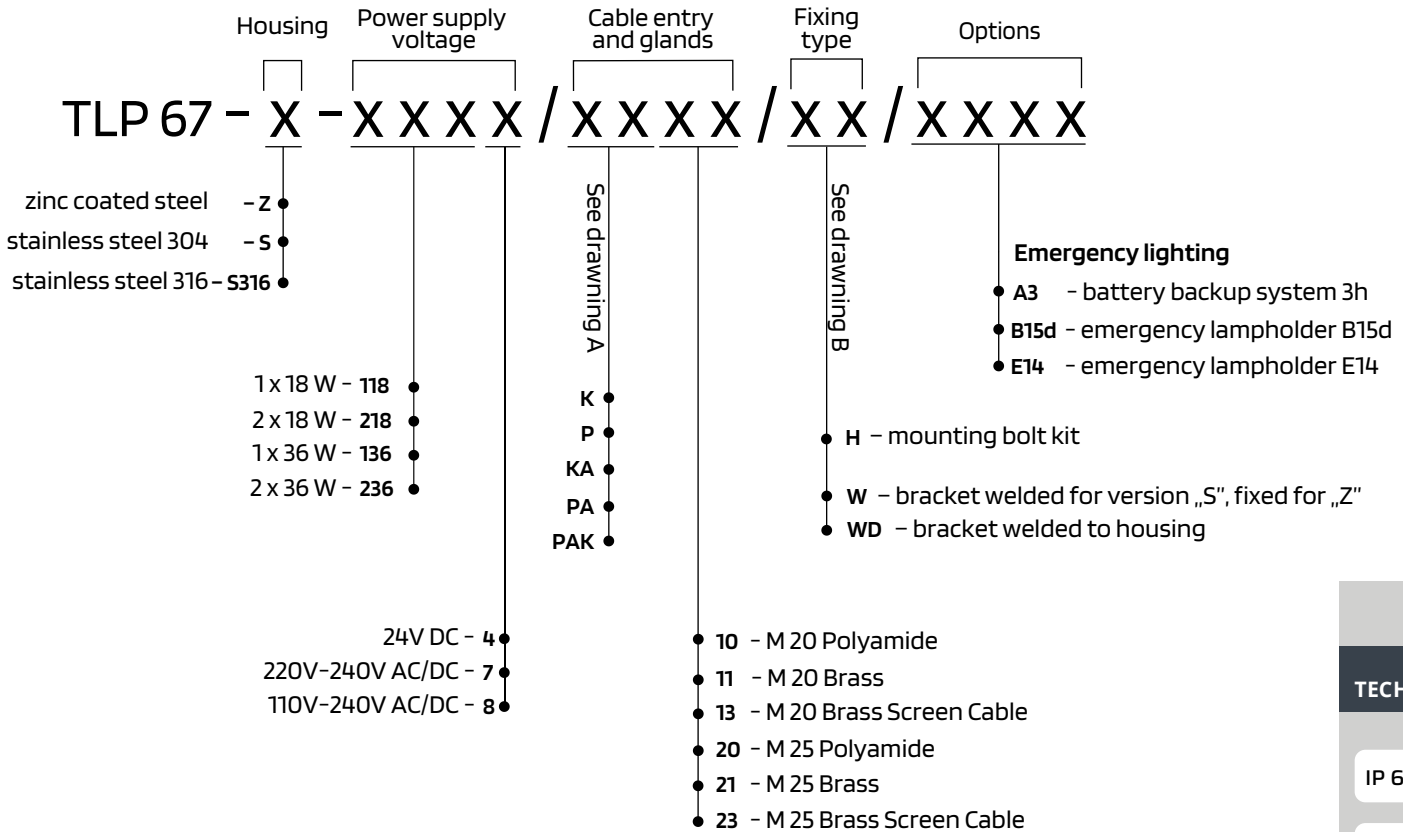
Mounting

See drawing A

DIMENSIONS [mm]



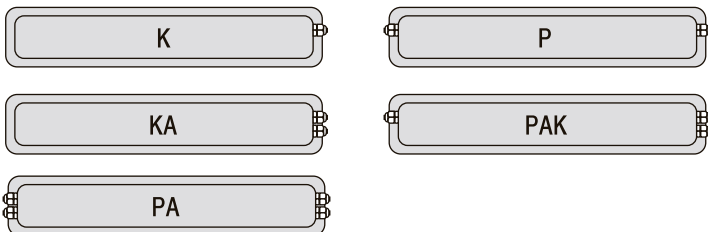
ORDER SPECIFICATION



Example of type description

TLP 67S - 2187/PA10/W - light fitting for two fluorescent lamp 18 W with socket 13; supply voltage 220-240V AC/DC; through wiring 4 glands; fixing - two „w” brackets; housing of stainless steel 304

A. Cable entry



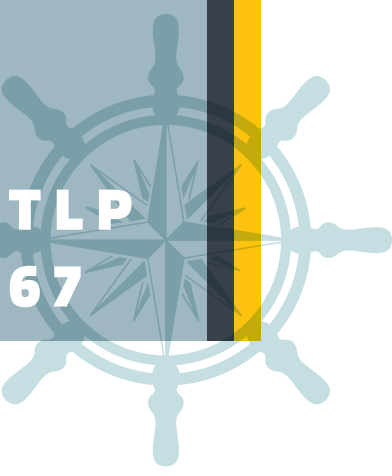
M 20			M 25		
Polyamide	Brass	Brass SC	Polyamide	Brass	Brass SC
Cable dia. 6-12 /mm/	Cable dia. 8-14,5 /mm/	Cable dia. 7-12,5 /mm/	Cable dia. 11-17 /mm/	Cable dia. 9-17 /mm/	Cable dia. 9-17 /mm/
10	11	13	20	21	23

TECHNICAL DATA

IP 67	IP 66
220-240V AC/DC	G 13
-20°C	+45°C

OPTIONS

Magnetic Ballast	110V-240V AC/DC
Battery Backup 3h System	24V DC
Emergency Lampholder B15d	Emergency Lampholder E14
Stainless Steel Housing	



B. Fixing type

