

# TLP 67 MLED



Type	Wattage	Light source	Lumens	Weight
TLP 67-MLED220/211/...	2 x 11 W	LED	2 x 1250 lm	3,9 kg
TLP 67-MLED240/411/...	4 x 11 W		4 x 1250 lm	4,2 kg
TLP 67-MLED220/406/...	4 x 6 W (24V DC)		4 x 770 lm	3,5 kg
TLP 67-MLED240/806/...	8 x 6 W (24V DC)		8 x 770 lm	4,0 kg

## Watertight luminaire, surface 2x11W / 4x11W / 4x6W / 8x6W LED

### Application

Watertight luminaire for decks, engine rooms, holds, storage yards, working spaces, industrial areas, etc.

### Diffuser

polycarbonate, clear

### Approvals

according to the rules of relevant classification societies, additional IEC

### Electric

flexible wiring, heat resistant up to +105°C

### Housing

zinc coated steel or stainless steel  
powder coated white

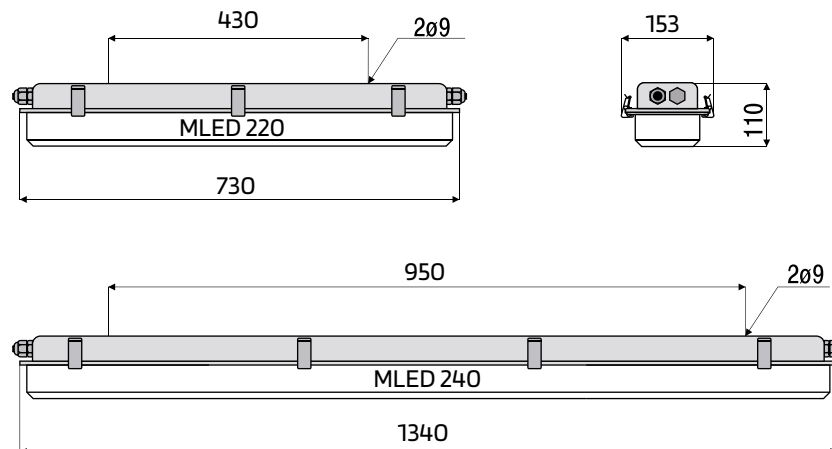
### Cable entry

max 4 cable glands, see drawing A

### Mounting

See drawing B

## DIMENSIONS [ mm ]



# TLP 67 MLED

## B. Fixing type

