

**TLP  
54**



Type	Light source power / lamp base	Light source	Weight
TLP 54 Z-1187	1 x 18W / G13	fluorescent lamp	3,5 kg
TLP 54 Z-2187	2 x 18W / G13		4,0 kg
TLP 54 Z-1367	1 x 36W / G13		5,6 kg
TLP 54 Z-2367	2 x 36W / G13		6,2 kg

### Multipurpose luminaire, surface 1x18W/2x18W; 1x36W/2x36W

#### Application

multipurpose luminaire for engine rooms, holds, storage yards, working spaces, industrial areas, etc.

#### Lamps (not included)

fluorescent lamp 18W or 36W

#### Approvals

according to the rules of relevant classification societies, additional IEC

#### Electric

flexible wiring, heat resistant up to +105°C

#### Housing

zinc coated steel, seamless deep drawn, powder coated white

#### Cable entry

max 4 cable glands, see drawing A

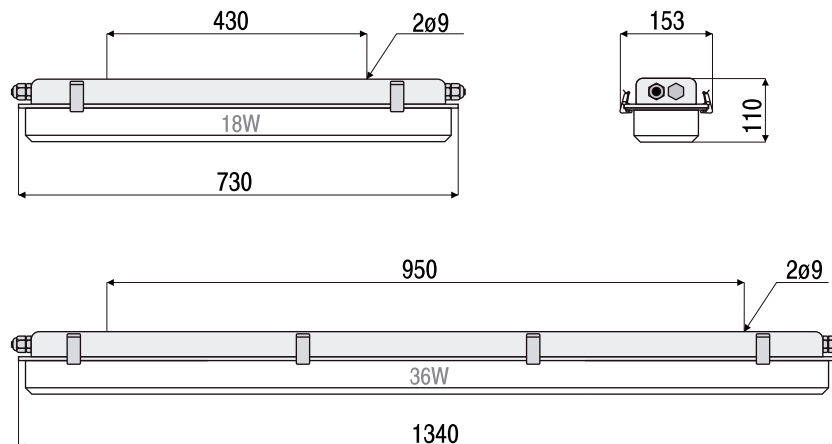
#### Diffuser

polycarbonate, clear

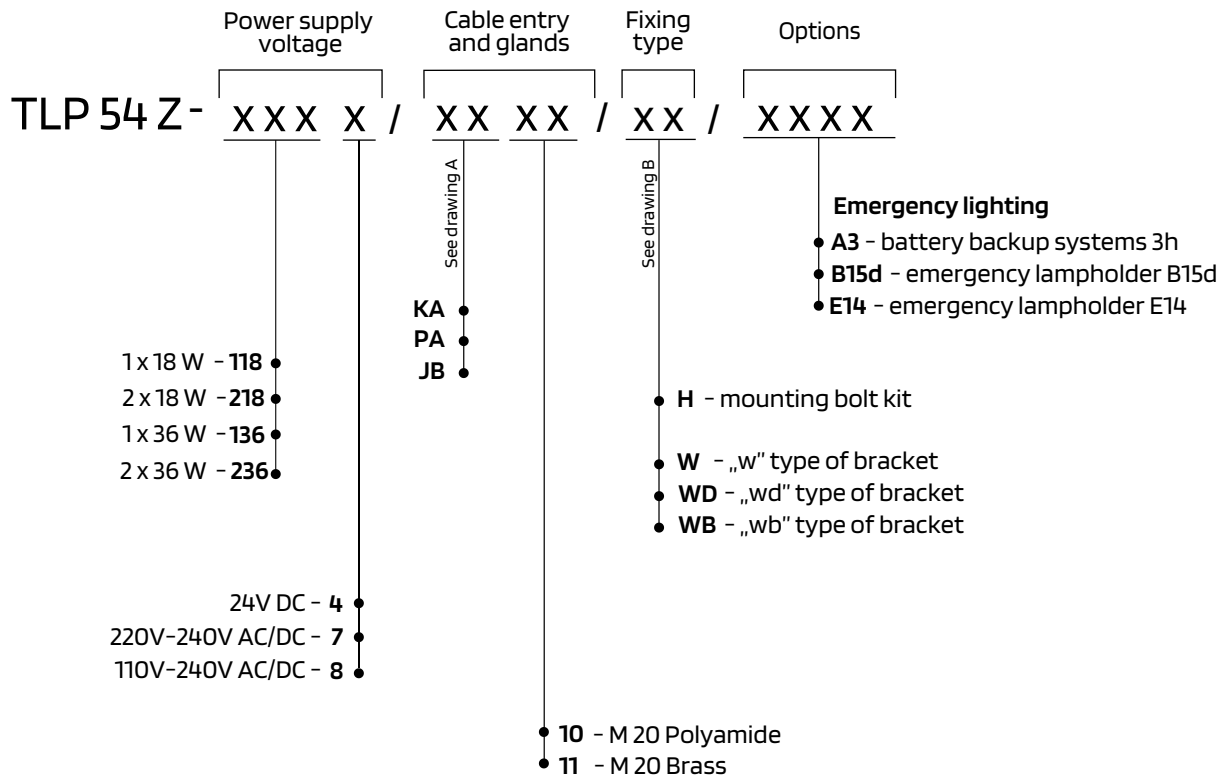
#### Mounting

see drawing B

### DIMENSIONS [ mm ]



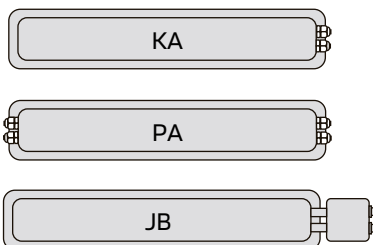
## ORDER SPECIFICATION



### Example of type description

**TLP 54Z - 2187/PA10/W** light fitting for two fluorescent lamps 18W with socket G13; supply voltage 220-240V AC/DC ; through wiring; fixing - two „w” brackets.

### A. Cable entry



Luminaire is equipped with:

- 1) KA version - 2 glands and 1 blanking plug;
- 2) PA version - 4 glands and 2 blanking plugs;
- 3) JB version - outside Junction box, not suitable with WD brackets

M 20	
Polyamide	Brass
Cable dia. 6-12 /mm/	Cable dia. 8-14,5 /mm/
10	11

### TECHNICAL DATA

IP 55      220-240V  
AC/DC

-20°C      +40°C

G 13

### OPTIONS

Electronic Ballast      110V-240V  
AC/DC

Outside Junction Box      24V  
DC

Battery Backup System      220V-240V  
50-60Hz      3h

Emergency Lampholder B15d      Emergency Lampholder E14

**B. Fixing type**

