



# Table light for reading maps, 4x1W



IP 20

220-240V  
50-60 Hz

LED

Type	Light source	Light source power /	Weight
TIP 20-4010/LED	LED	4x1W	3 kg
TIP 20-4010/LED/ED	LED	4x1W	3,1 kg

**Approvals**  
according to the rules of relevant classification societies, additional IEC

**Finish**  
metal construction

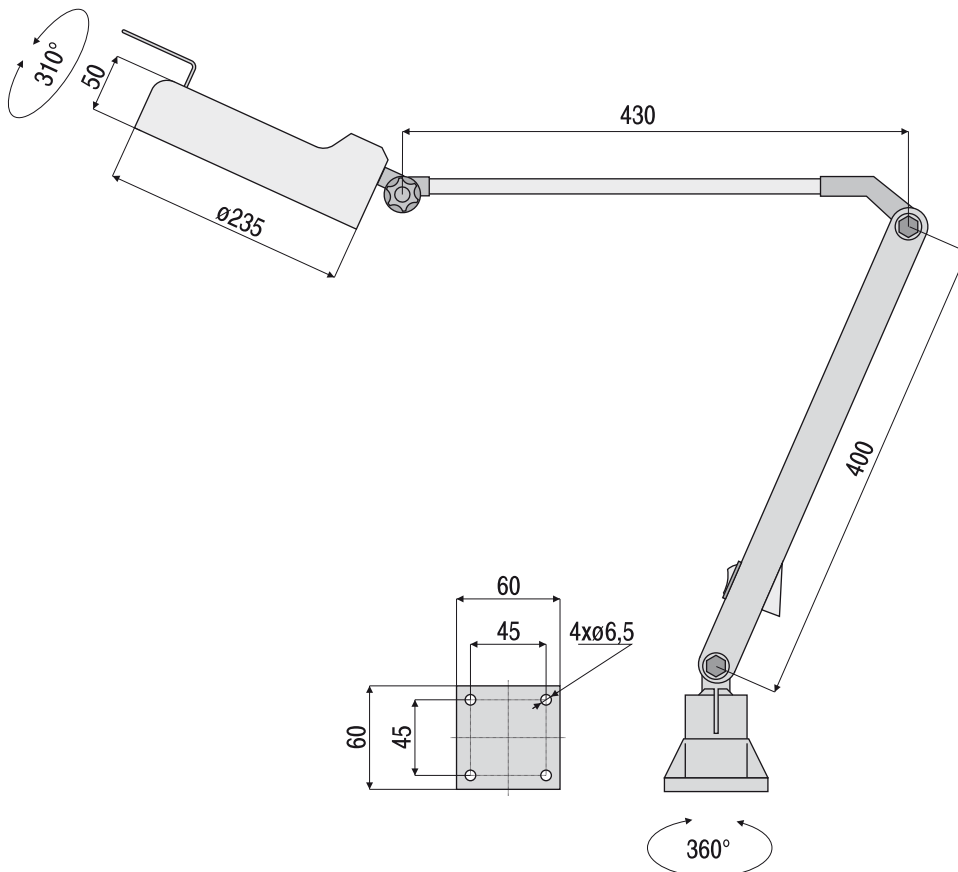
**Lens**  
biconvex glass lens  $\varnothing$  120 mm, 3-diopters (= 1,75x power)

**Lamps**  
LED

**Electric**  
1.5 m. free cable with switch in lamp arm

**Mounting**  
with screw down base

[mm]



## OPTIONS

Lamp support

Dimmable version on request

8.05