

STP 76 HPS/MH



Type	Light source	Light source power	Lampholder type	Weight
STP 76-1400	sodium or metal-halide lamp	1 x 250W or 1 x 400W	E40	7,7 kg

Floodlight, max 1x400W HPS/MH

Application

decks, holds, industrial areas, etc.

Lamps (not included)

high pressure (HPS) sodium lamp,
metal halide (MH) lamp 250W/400W

Approvals

according to the rules of relevant
classification societies, additional IEC

Electric

230V, flexible wiring, high temperature resistant

Housing

stainless steel seamless deep drawn,
powder coated white

Cable entry

junction box, 1 cable glands brass,
M24x1.5 with earthing insert

Diffuser

safety glass

Mounting

adjustable bracket, stainless steel,
4 mounting holes, \varnothing 10 mm and \varnothing 14 mm

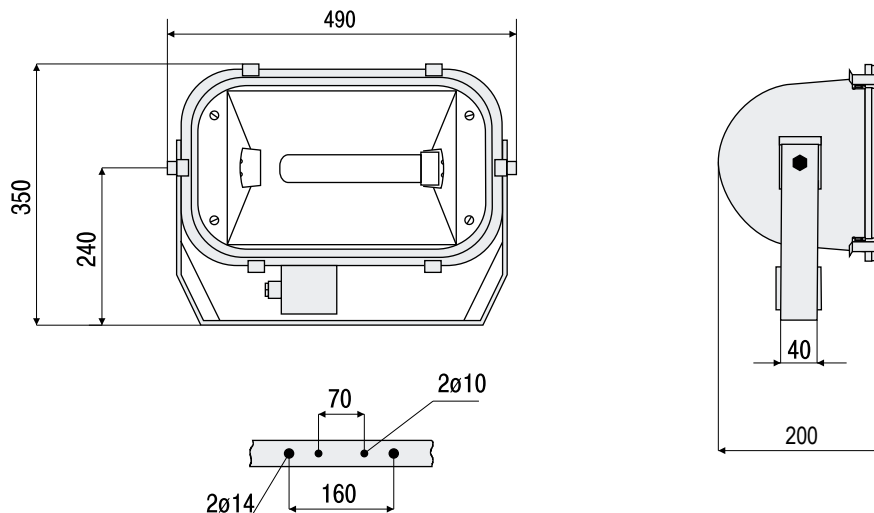
Reflector

aluminium anodized

Remark

ballast unit VGP 76 - ... has to be ordered separately

DIMENSIONS [mm]



TECHNICAL DATA

IP 67

E40

OPTIONS

SC-Glands
for screen cable