

# STP 76 HALOGEN



Type	Supply voltage	Light source	Light source power	Lampholder type	Weight
STP 76-1000	220-240V AC/DC	halogen lamp	max 1000W	R7s	7,6 kg

## Floodlight for halogen lamps max 1x1000W

### Application

decks, holds, industrial areas, etc.

### Lamps (not included)

halogen lamp max 1000W

### Approvals

according to the rules of relevant classification societies, additional IEC

### Electric

230V, flexible wiring,  
high temperature resistant

### Housing

stainless steel seamless  
deep drawn, powder coated white

### Cable entry

junction box, 1 cable gland brass,  
M24x1.5 with earthing insert

### Diffuser

safety glass

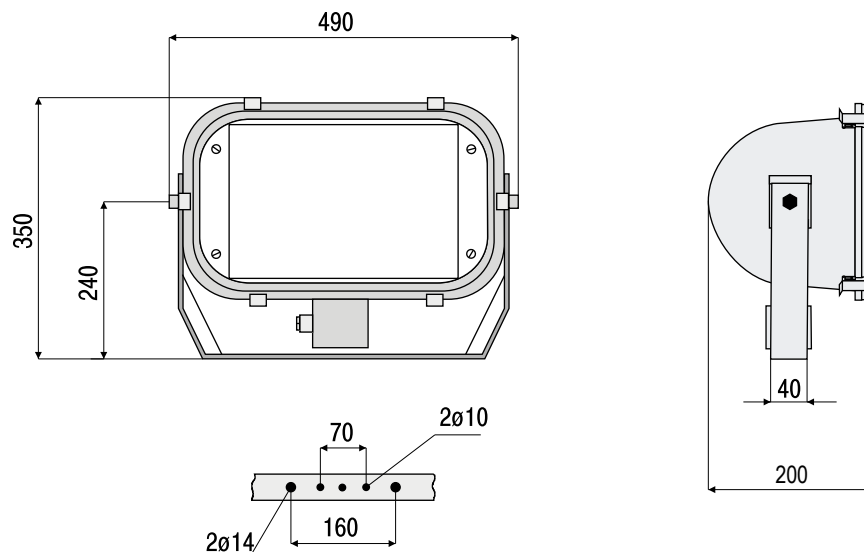
### Mounting

adjustable bracket, stainless steel,  
4 mounting holes,  $\varnothing$  10 mm and  $\varnothing$  14 mm

### Reflector

aluminium anodized

## DIMENSIONS [ mm ]



## TECHNICAL DATA

IP 67

220-240V  
AC/DC

R7s

## OPTIONS

SC-Glands  
for screen cable

E40