

# STP 20 MLED



Single module version



Triple module version



Type	No. of modules	Wattage	Optics	Lumens	Weight
STP 20 MLED1/0467/8/740/W	1	50 W	wide	7700 lm	8,1 kg
STP 20 MLED2/0927/8/740/W	2	100 W	wide	16000 lm	12,4 kg
STP 20 MLED3/1397/8/740/W	3	150 W	wide	24000 lm	17,1 kg

\*manufacturer permits a tolerance +/- 10%  
Manufacturer reserves their right to change technical parameters due to technical development.

## Watertight and dustproof floodlight

### Application

decks, technical and utility rooms, cargo holds, engine rooms, storage yards.

### Technical description

Housing: marine grade aluminium, powder painted  
Radiator: marine grade aluminium, powder painted  
Diffuser: strengthened glass  
Bolts: stainless steel

### Mounting / Installation

direct wall or ceiling mouting with adjustable stainless steel bracket.

### Electric parameters

basic power supply: 110-240V AC  
power factor: > 0,95  
cable glands: max 2 cable glands  
cable diameter: Ø 6-12 mm (M20 brass)

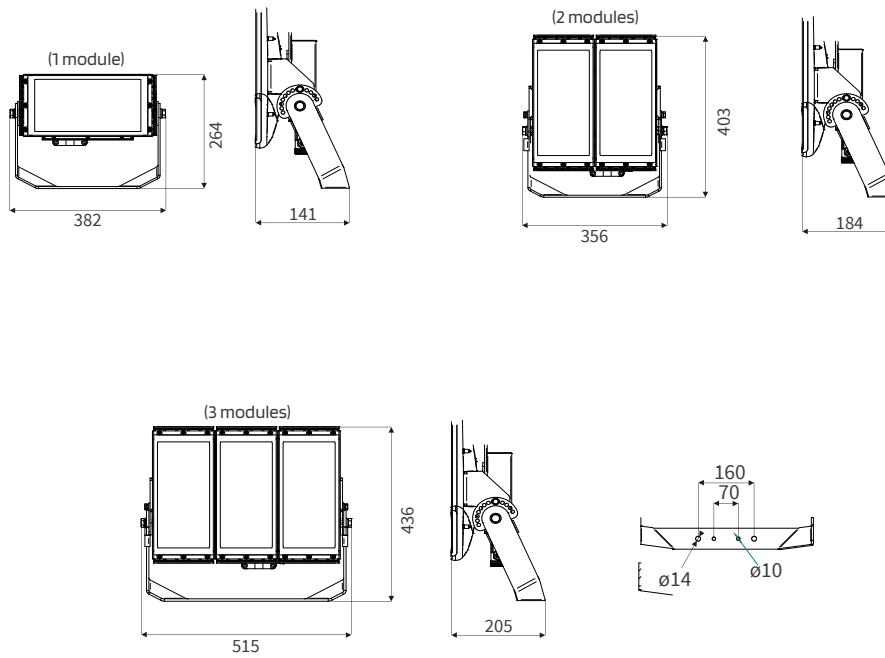
### Ending or through wiring

### LED parameters

colour temp.: 4000K  
lifetime: > 50 000 h

LED board equipped with lenses for light pattern shaping and reducing glare

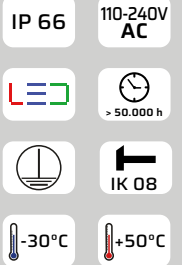
## DIMENSIONS [ mm ]



### Example of type description

**STP 20 MLED1/7/0467/740/N** – STP 20 MLED luminaire, wattage 50W, 4000K, CRI 70, narrow beam

### TECHNICAL DATA



### OPTIONS

