

SLP
98



Type	Light source power / lamp base	Light source	Weight
SLP 98 - 118...	1 x 18 W / G24q-2	tubular compact fluorescent lamp	1,8 kg
SLP 98 - 126...	1 x 26 W / G24q-3	tubular compact fluorescent lamp	2,0 kg
SLP 98 - 140...	max 40 W / E27	incandescent or led lamp	2,0 kg

Outdoor Wall Light, Balcony, 1x18W/1x26W/1x40W

Approvals
according to the rules of relevant classification societies, additional IEC

Housing
stainless steel, powder coated white

Lamps (not included)
tubular compact fluorescent lamp 18W/26W,
incandescent or LED lamp max 40W (E27)

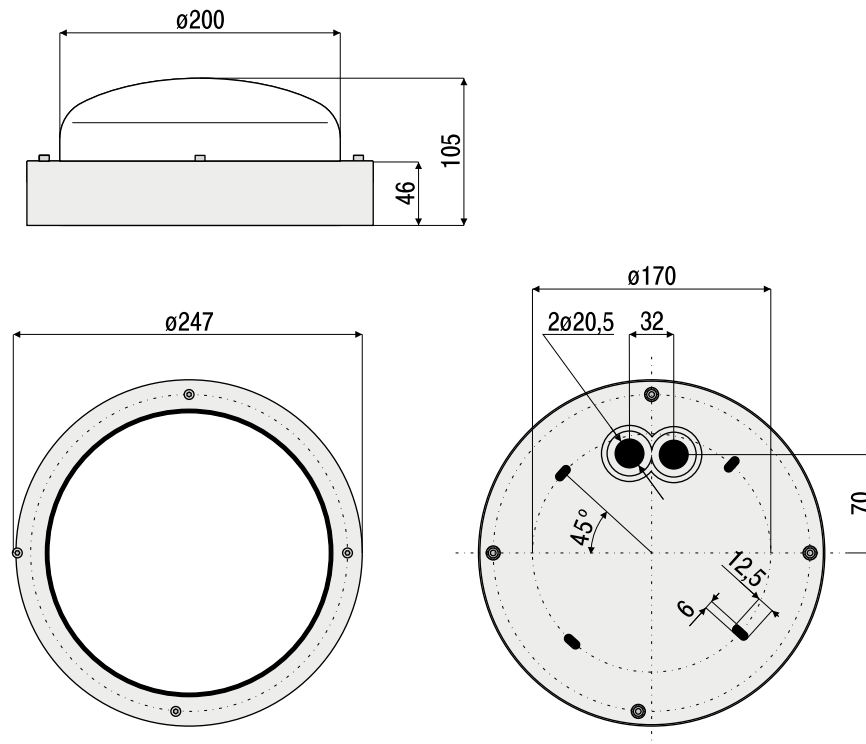
Diffuser
polycarbonate, opal

Electric
flexible wiring, heat resistant up to +105°C

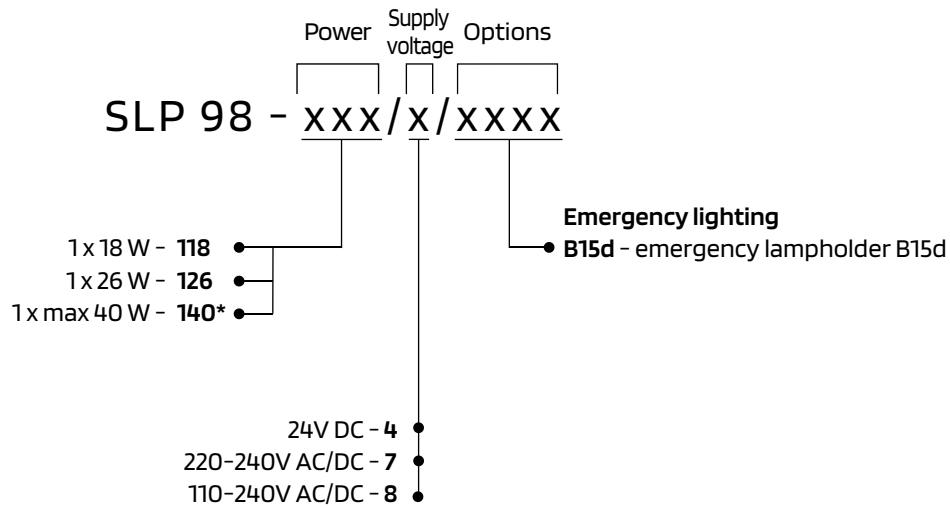
Cable entry
2 cable glands PG 13,5 cable max \varnothing 12 mm

Mounting
4 mounting holes \varnothing 6 mm directly on wall or ceiling

DIMENSIONS [mm]



ORDER SPECIFICATION

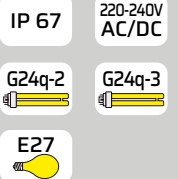


* ballast not required

Example of type description

SLP 98 - 1187 light fitting for one tubular compact fluorescent lamp 18W with socket G24q-2; supply voltage 220-240V AC/DC

TECHNICAL DATA



OPTIONS

