

KLP 61 MLED



Type	Wattage	Light source	Lumens	Weight
KLP 61-220/211/MLED	2 x 11 W	LED	2 x 1250 lm	4,2 kg
KLP 61-240/411/MLED	4 x 11 W		4 x 1250 lm	6,3 kg

Kitchen Luminaire, surface, 2x11W/4x11W LED

Application

galleys, kitchen, pantries, provision rooms

Gasket

silicone rubber

Approvals

according to the rules of relevant classification societies, additional IEC

Electric

flexible wiring, heat resistant up to +105°C

Baseplate

stainless steel

Cable entry

2 plastic cable glands M 20, cable max \varnothing 12 mm

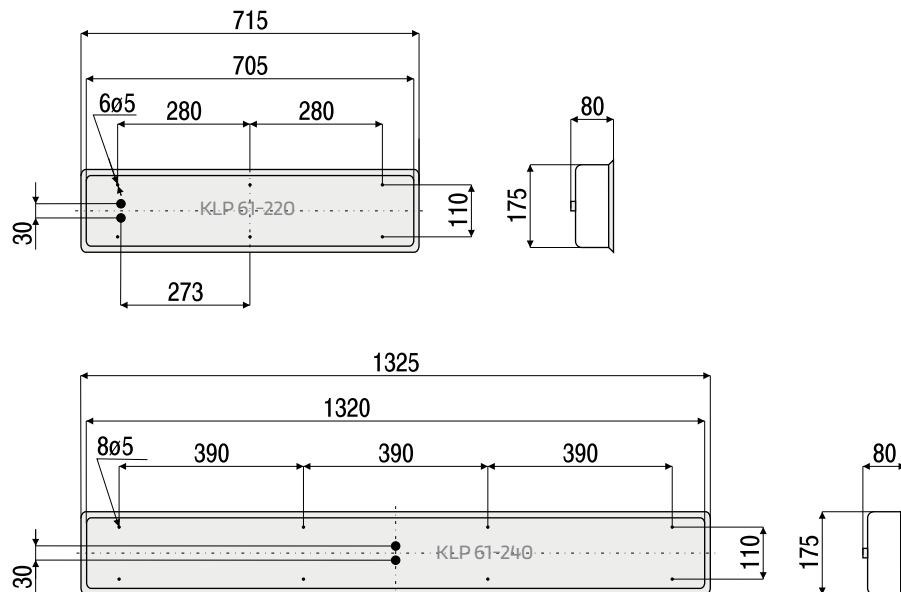
Diffuser

polycarbonate, clear

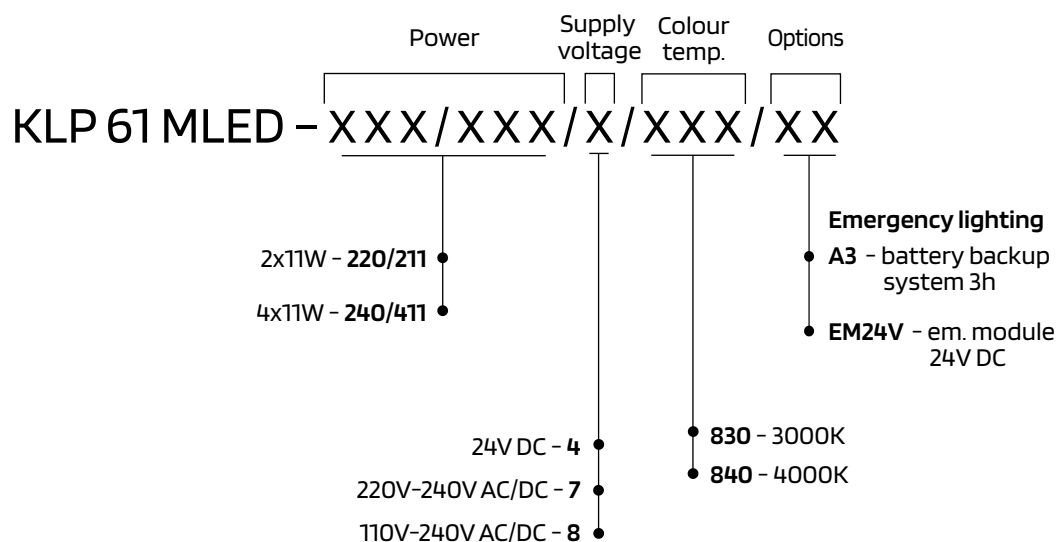
Mounting

6 or 8 mounting holes, \varnothing 5 mm

DIMENSIONS [mm]



ORDER SPECIFICATION



Example of type description

KLP 61 MLED 220/211/7/830 - light fitting with LED source; 2x11W; colour temp. 3000K; supply voltage 220V-240V AC/DC.

TECHNICAL DATA

IP 55

220-240V
AC/DC

-20°C

+45°C



OPTIONS

110V-240V
AC/DC

24V
DC

Battery
Backup 3h
System

Emergency
24V DC