



Type	Light source power / lamp base	Light source	Weight
KJP 41 - 109	1x 5/7/9 W / G 23	tubular compact fluorescent lamp	0,9 kg
KJP 41 - 111	1x 11W / G 23	fluorescent lamp	1,2 kg
KJP 41 - 108	1x 8W / G 5	fluorescent lamp	1,6 kg

Berth Light, surface, 8W, 9W, 11W

Application
cabins

Approvals
according to the rules of relevant classification societies, additional IEC

Housing
zinc coated steel,
powder coated white

Diffuser
polycarbonate opal

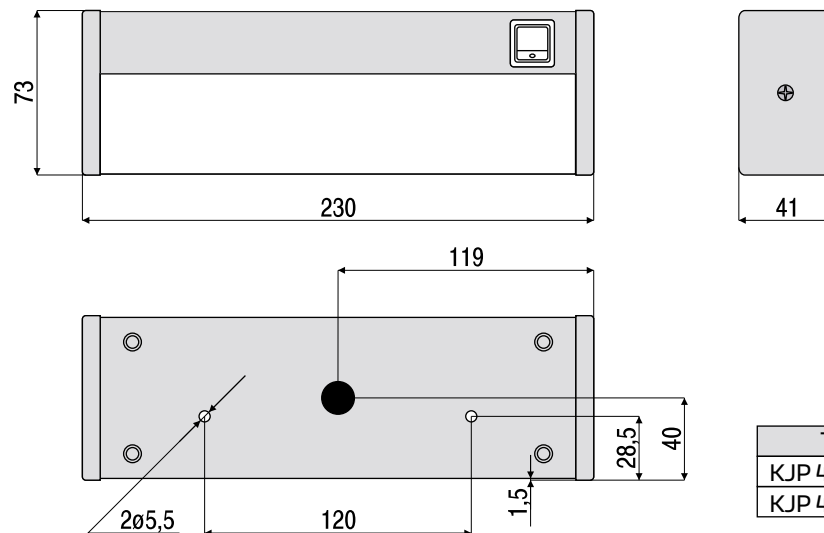
Lamps (not included)
tubular compact fluorescent lamp 5/7/9/11W,
fluorescent lamp 8W

Cable entry
1 inlet, cable max \varnothing 11 mm

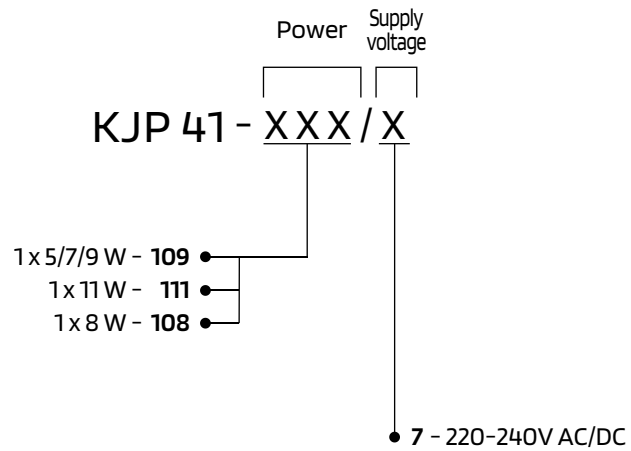
Electric
flexible wiring, heat resistant up to +105°C,
2-pole switch

Mounting
2 mounting holes \varnothing 5,5 mm

DIMENSIONS [mm]



ORDER SPECIFICATION



Example of type description

KJP 41 - 1117 light fitting for one tubular fluorescent lamp 11 W, supply voltage 220-240V AC/DC

TECHNICAL DATA

IP 30

220-240V
AC/DC

G 5

G 23