


IP 20

230V
50Hz

G23




Type	Code	Light source	Light source power / lamp base	Weight
KJP 40 - 1050	640 - 105	tubular compact fluorescent lamp	1 x 5 W / G 23	0,8 kg
KJP 40 - 1070	640 - 107	tubular compact fluorescent lamp	1 x 7 W / G 23	0,9 kg

Applications

cabins
 Approvals according to the rules of relevant classification societies, additional IEC
 Housing zinc coated steel, powder coated white

Diffuser

polycarbonate, opal
 Lamps (not included) tubular compact fluorescent lamp 5/7W
 Electric flexible wiring , heat resistant up to 105°C,
 switch 2-pole

Connections

plug and sockets /Wieland GST/
 Mounting 4 mounting holes, ϕ 4 mm,
 cut out 190 x70 mm
 Electrical connection see finish section

3.16

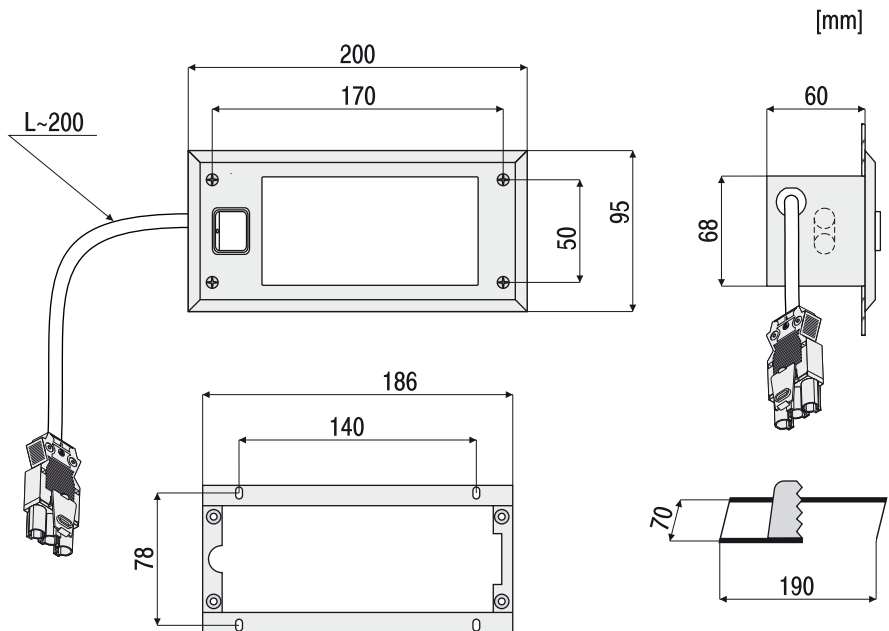
OPTIONS

220V
60Hz

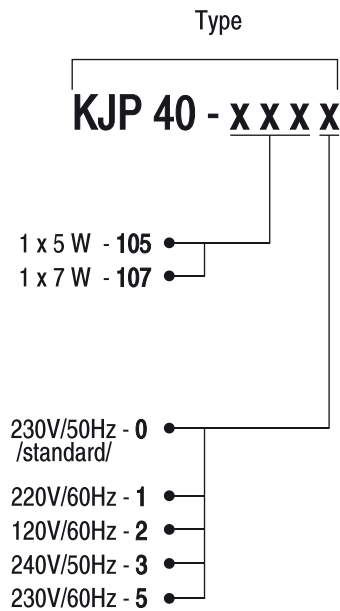
230V
60Hz

120V
60Hz

240V
50Hz



Order Specification



Example of type description

KJP 40 - 1070 light fitting for tubular compact fluorescent lamp 7W with socket G23; supply voltage 230V/50Hz;

3.17

Spare parts for berth light KJP 40 - 1070

No.	Spare parts	Part-no.
1	Diffuser PC, opal	101 00 40107
2	Lampholder G 23	011 00 40107
3	Ballast	031 00 40107
4	Switch 2-pole	051 00 40107