

**KJP
27**



Type	Light source power / lamp base	Light source	Weight
KJP 27 - 1150	1 x 15 W / G 13	fluorescent lamp	1,8 kg
KJP 27 - 1180	1 x 18 W / G 13		2,0 kg
KJP 27 - 1260	1 x 26 W / G24q-3	tubular compact fluorescent lamp	2,0 kg

Mirror luminaire, surface, 1x15W, 1x18W, 1x26W

Application

cabins, shower rooms, toilets, accomodation areas

Lamps (not included)

tubular compact fluoresecent lamp 18W/26W, fluorescent lamp

Approvals

according to the rules of relevant classification societies, additional IEC

Cable entry

2 inlets, cable max Ø 11 mm

Housing

zinc coated steel, powder coated white

Electric

flexible wiring, heat resistant up to +105°C

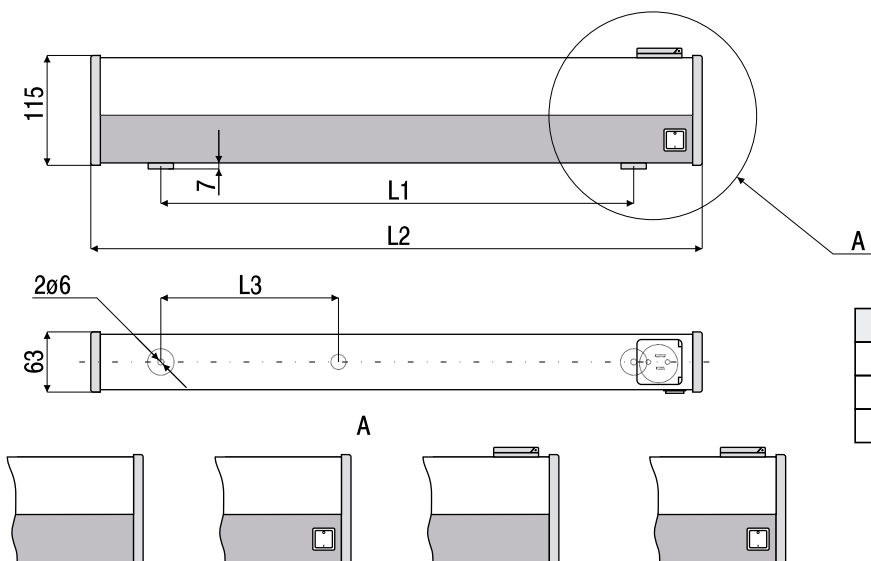
Diffuser

PC, opal

Mounting

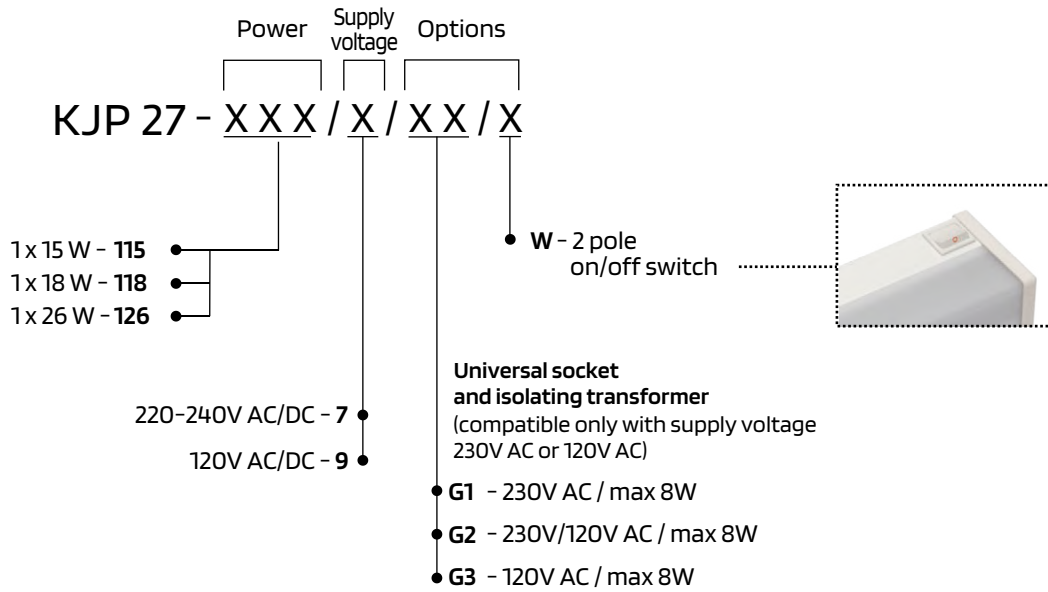
2 mounting holes Ø 6 mm

DIMENSIONS [mm]



Type	L1	L2	L3
KJP 27 1x26W	168	320	45
KJP 27 1x15W	320	500	200
KJP 27 1x18W	495	640	170

ORDER SPECIFICATION



* supply voltage must be 230V AC or 120V AC when G1, G2, G3 is ordered

Example of type description

KJP 27 - 1187/G2 - light fitting for one fluorescent lamp 18W with socket G13; supply voltage 220-240V AC/DC; universal socket and isolating transformer - 230V/120V

TECHNICAL DATA

IP 44	220-240V AC/DC
G 13	G24q-3

OPTIONS

120V AC/DC