

KJP 27 MLED



*socket and switch are optional equipment.

Type	Wattage	Light Source	Lumens	Weight
KJP 27-MLED220/111/...	1 x 11W	LED	1250 lm	2,0 kg

Mirror luminaire, surface, 1x11W

Application

cabins, shower rooms, toilets, accomodation areas

Diffuser

PC, opal

Approvals

according to the rules of relevant classification societies, additional IEC

Electric

flexible wiring, heat resistant up to +105°C

Cable entry

2 inlets, cable max Ø 11 mm

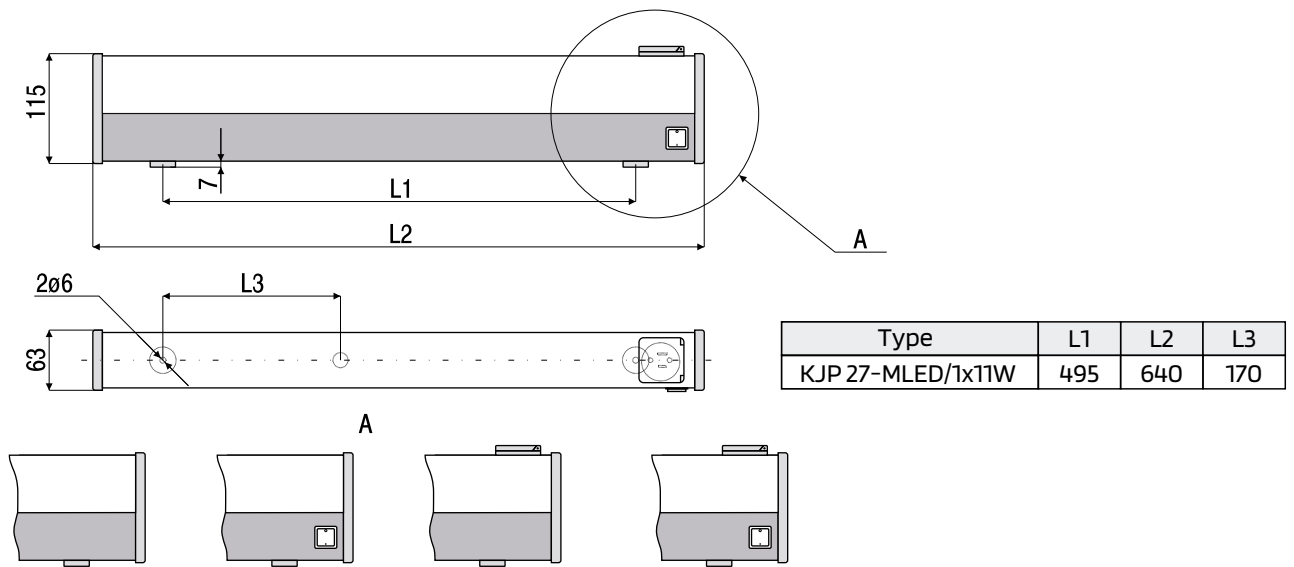
Housing

zinc coated steel,
powder coated white

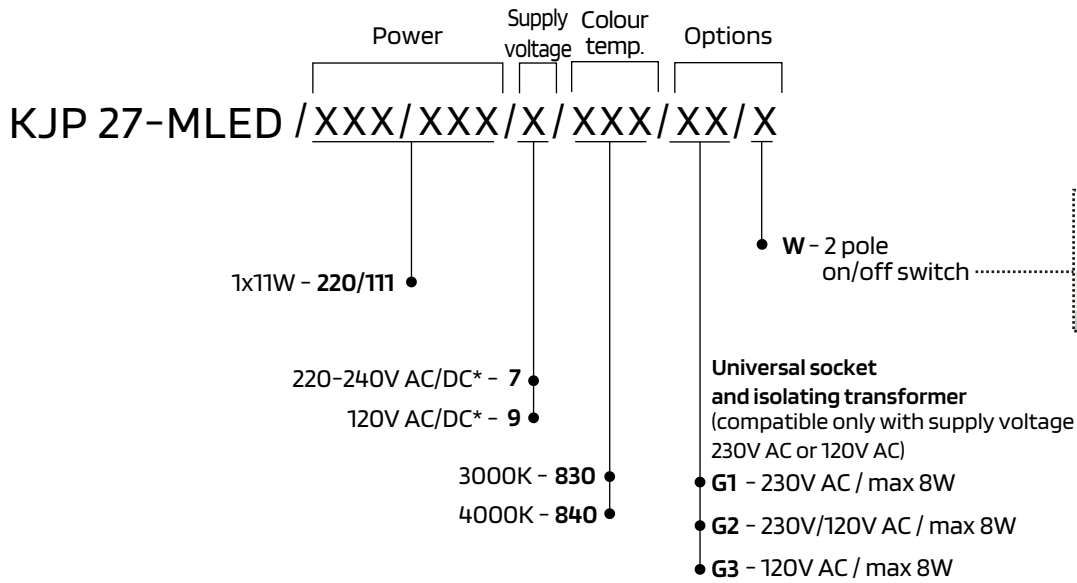
Mounting

2 mounting holes Ø 6 mm

DIMENSIONS [mm]



ORDER SPECIFICATION



* supply voltage must be 230V AC or 120V AC when G1, G2, G3 is ordered

Example of type description

KJP 27-MLED/220/111/7/830/G1/W - light fitting with LED panel 1x11W; supply voltage 230V AC colour temperature 3000K; universal socket 230V AC; 2-pole switch

TECHNICAL DATA

IP 44

220-240V
AC/DC



OPTIONS

120V
AC/DC