

JUPITER 3,4



Type	Light source power / lamp base	Light source	Weight
Jupiter 3	max 60 W / E 27	incandescent lamp	1,3 kg
Jupiter 4	max 60 W / E 27	incandescent lamp	1,5 kg

Wall Light, max 60 W

Approvals
according to the rules of relevant classification societies, additional IEC

Lamps (not included)
incandescent lamp, max 60 W,
LED lamp, max 20W

Shade
perlatex beige, washable

Electric
230V, 50Hz, flexible wiring,
heat resistant up to +105°C

Housing
brass polished

TECHNICAL DATA

IP 20

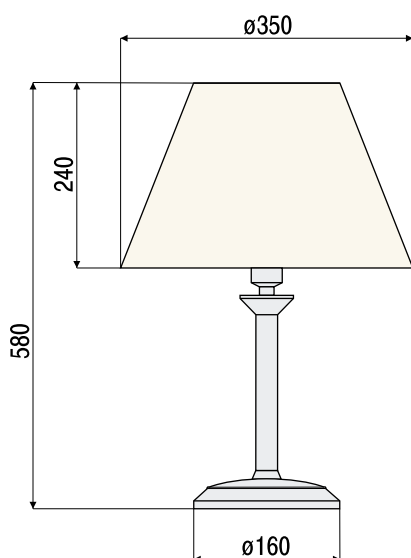


E27



DIMENSIONS [mm]

Jupiter 3



Jupiter 4

