

**EXP
83**



Type	Light source power / lamp base	Light source	Weight
EXP 83-218...	2 x 18 W / G 13	fluorescent lamp	6,1 kg
EXP 83-236...	2 x 36 W / G 13	fluorescent lamp	8,3 kg

Explosionproof luminaire, surface 2x18W / 2x36W

Application
hazardous zone 1,21; 2, 22

Approvals authority:
KDB 04ATEX339X

Ex marking
II 2G Ex de mb IIC T4 Gb
II 2D Ex t IIIC T60°C-T65°C IP 66/67 Db

Housing
zinc coated steel or stainless steel,
powder coated white

Diffuser
clear polycarbonate

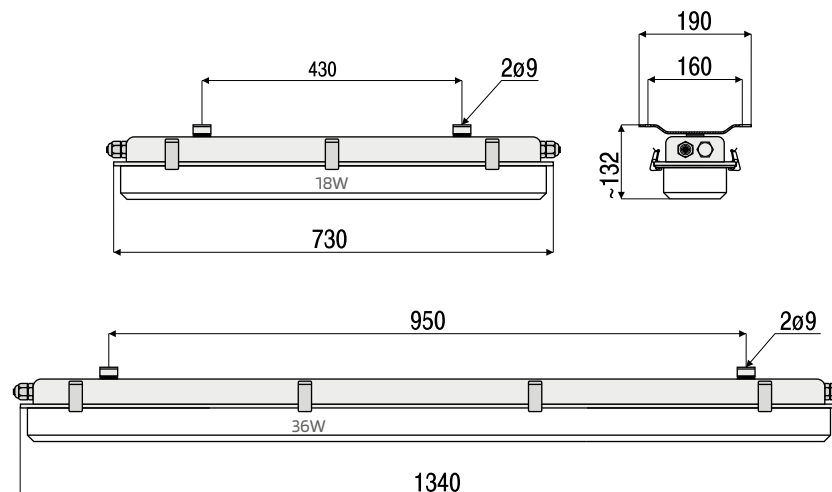
Lamps (not included)
fluorescent lamp 18W/36W

Electric
flexible wiring, heat resistant up to +105°C

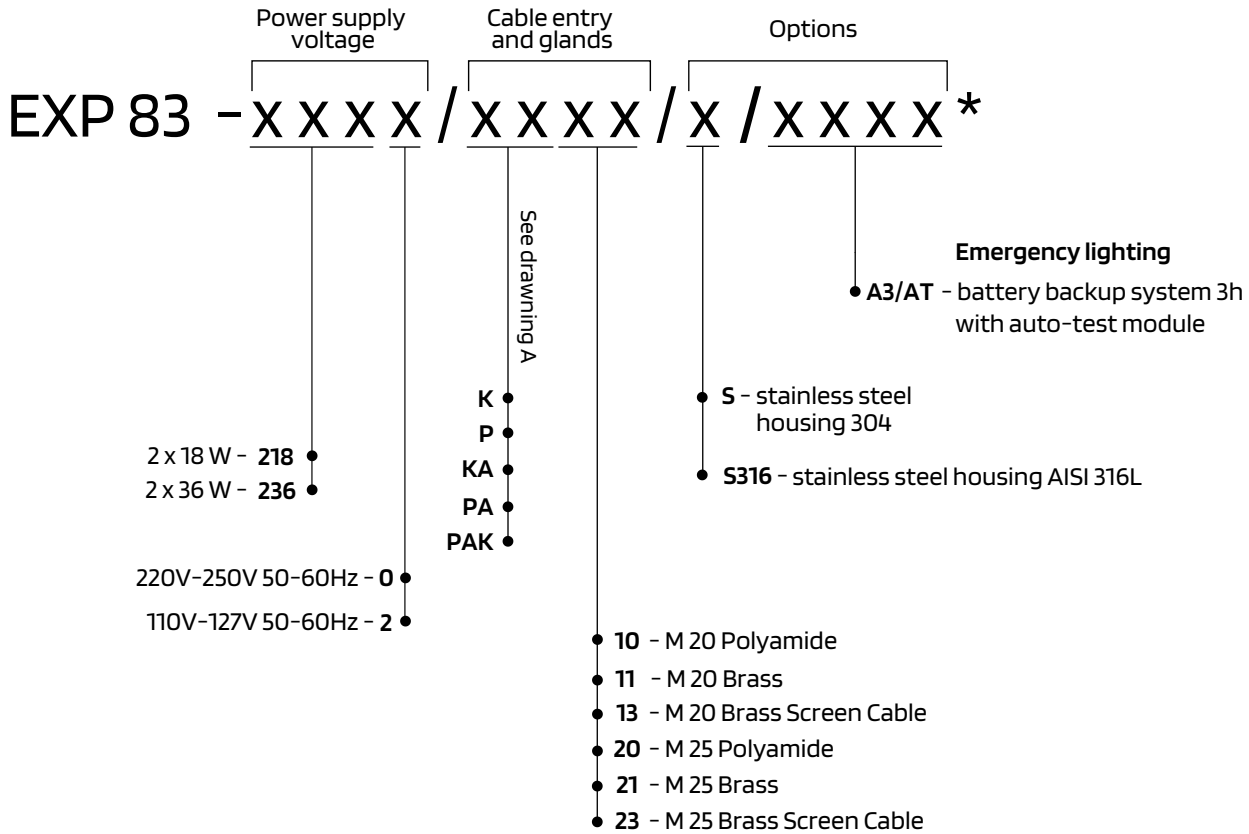
Cable entry
max 4 cable glands, see diagram A

Mounting
2 brackets with 2 mounting holes \varnothing 9 mm

DIMENSIONS [mm]



ORDER SPECIFICATION

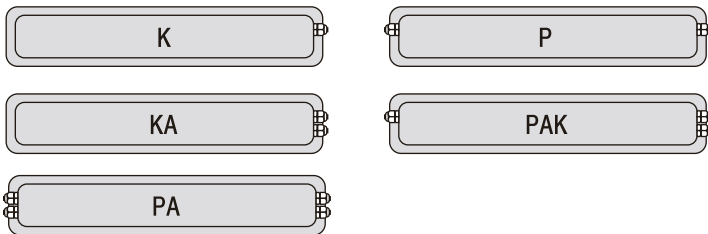


*marking on the label may differ from the order specification

Example of type description

EXP 83 - 2180/PA10/S - explosion proof light fitting for two fluorescent lamps 18W with socket G13; supply voltage 220V-250V AC/DC; through wiring with 4 polyamide M20 glands; stainless steel housing 304

A. Cable entry



TECHNICAL DATA

IP 66	IP 67
220V-250V 50-60Hz	G 13
-25°C	+50°C
 <small>K0B 04ATEX339X</small>	

OPTIONS

Electronic Ballast	110V-127V 50-60Hz
Battery Backup System	220V-250V 50-60Hz 3h
Battery Backup System	110V-127V 50-60Hz 3h
Stainless Steel Housing	SC-Glands for screen cable

