

**EXP 83
MLED**



Type	Wattage	Light source	Lumens	Weight
EXP 83-MLED/220/125/D	1x25W	LED panel with opal cover	2500 lm	4,9 kg
EXP 83-MLED/240/150/D	1x50W	LED panel with opal cover	5000 lm	7,5 kg

Explosionproof luminaire, surface 1x25W / 1X50W LED

Application
hazardous zone 1,21; 2, 22

Approvals authority:
ATEX

Ex marking
II 2G Ex db eb mb IIC T4 Gb
II 2D Ex tb IIIC T60°C / 65°C IP66/IP67 Db

Housing
zinc coated steel or stainless steel,
powder coated white

Diffuser
clear polycarbonate

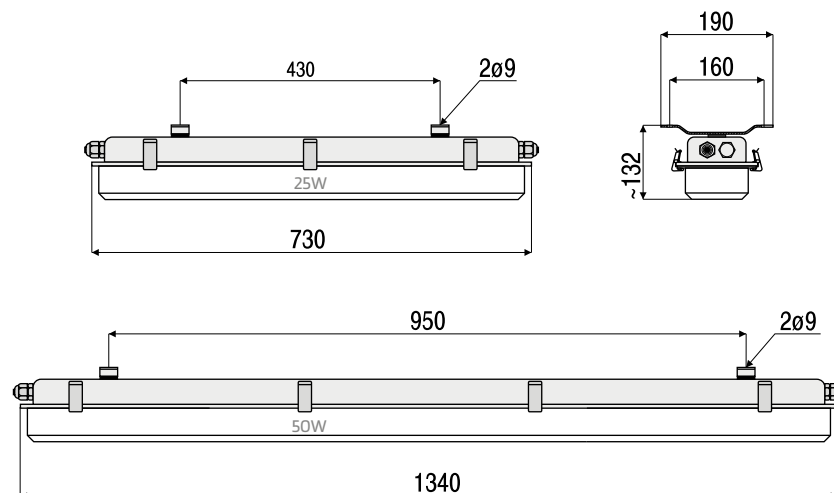
Light source life time
> 50 000 h

Electric
flexible wiring, heat resistant
up to +105°C

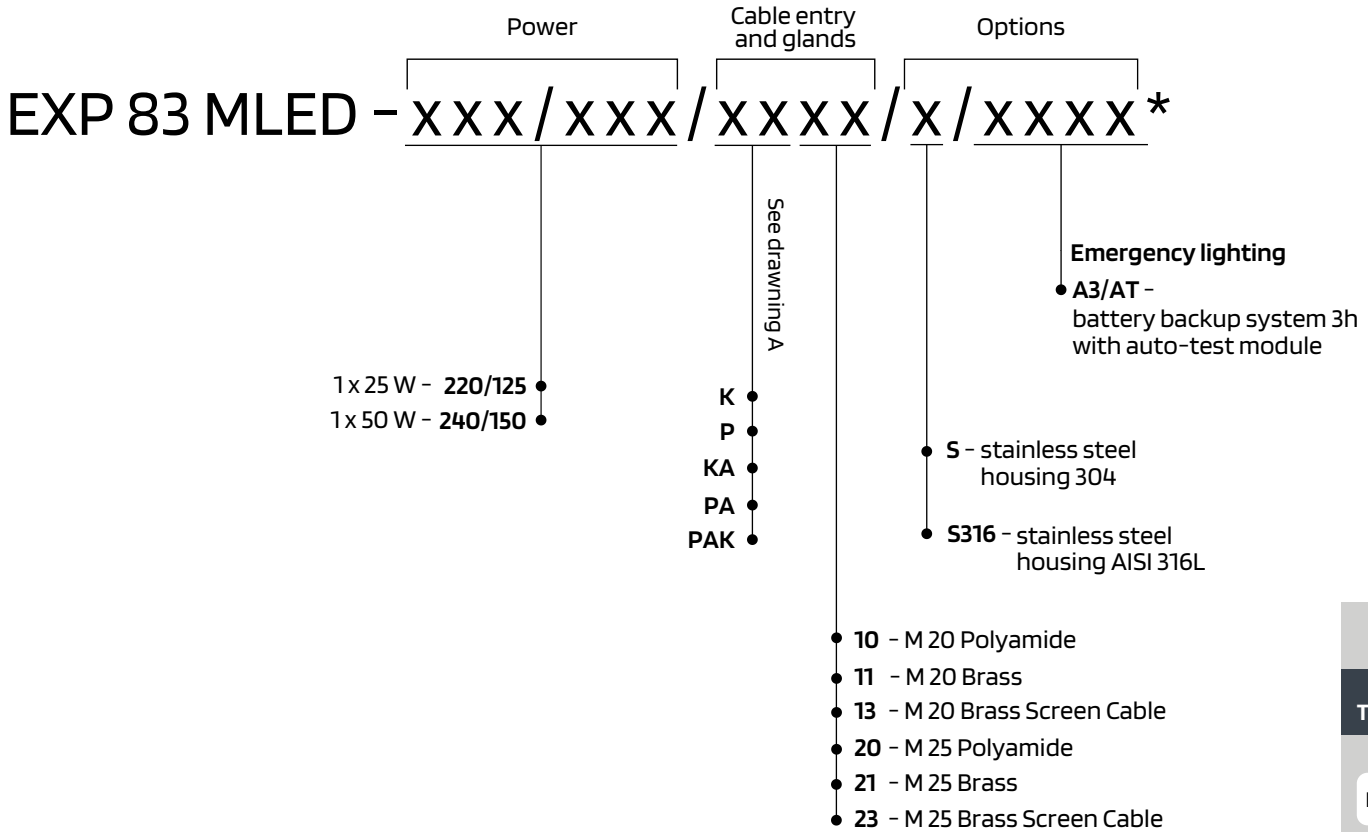
Cable entry
max 4 cable glands, see diagram A

Mounting
2 brackets with 2 mounting
holes \varnothing 9 mm

DIMENSIONS [mm]



ORDER SPECIFICATION

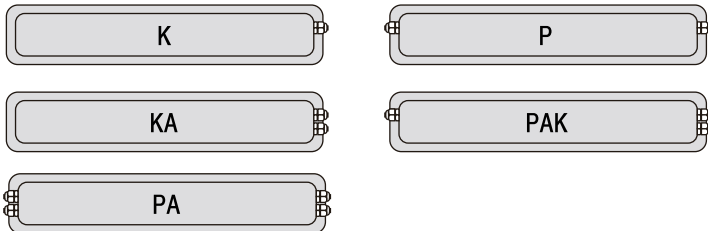


*marking on the label may differ from the order specification

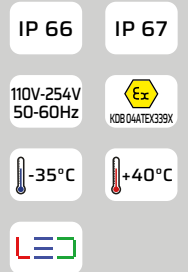
Example of type description

EXP 83 MLED220/125/DO/P11/S316 - light fitting with LED source, 25W, supply voltage 110-254V 50/60Hz, through wiring (2 brass cable glands M20), stainless steel 316 housing

A. Cable entry



TECHNICAL DATA



OPTIONS

