



Type	Light source power / lamp base	Light source	Weight
EXP 03-2180	2 x 18 W / G 13	fluorescent lamp	6,1 kg
EXP 03-2360	2 x 36 W / G 13	fluorescent lamp	8,3 kg

Explosionproof luminaire, surface 2x18W; 2x36W

Application
hazardous areas zone 2,22

Lamps (not included)
fluorescent lamp 18W/36W

Ex marking
II 3G Ex nA IIC T5 Gc
II 3D Ex t IIIC T60°-65°C IP 66/67 Dc

Electric
flexible wiring, heat resistant up to +105°C

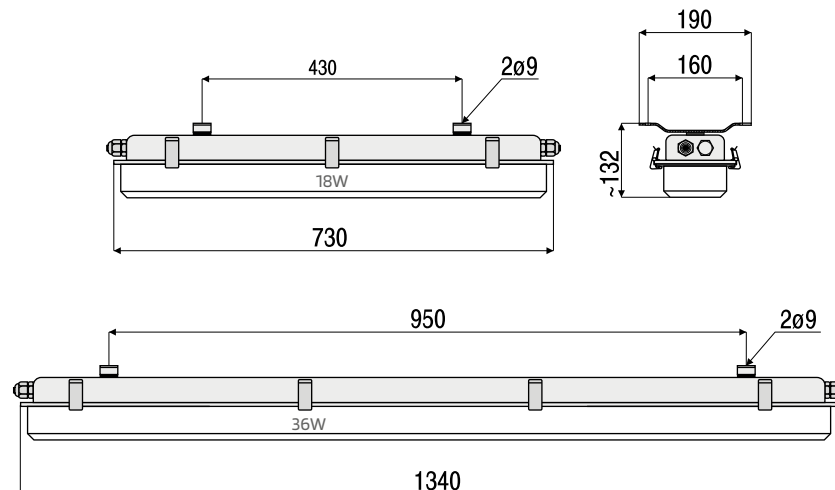
Housing
zinc coated steel or stainless steel,
powder coated white

Cable entry
max 4 cable glands, see drawing A

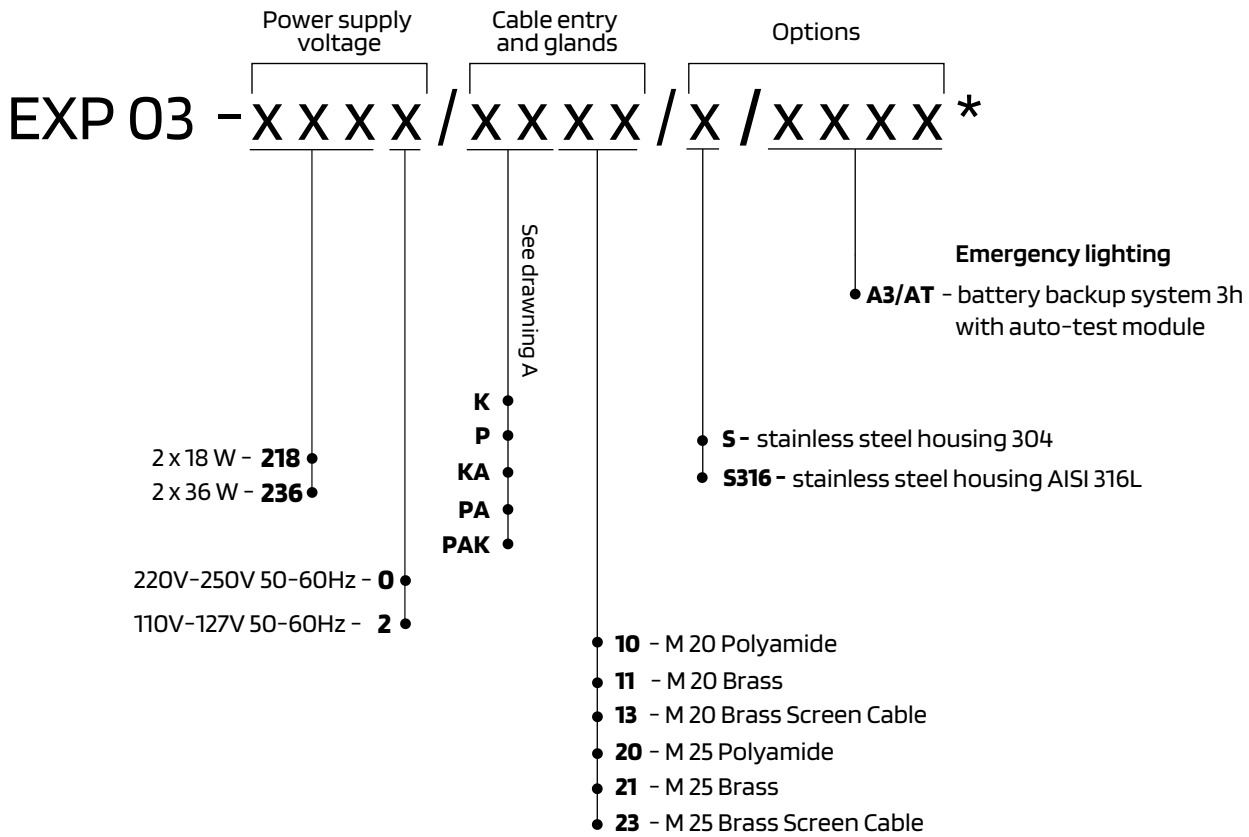
Diffuser
clear polycarbonate

Mounting
2 welded brackets with 2 mounting holes \varnothing 9 mm

DIMENSIONS [mm]



ORDER SPECIFICATION

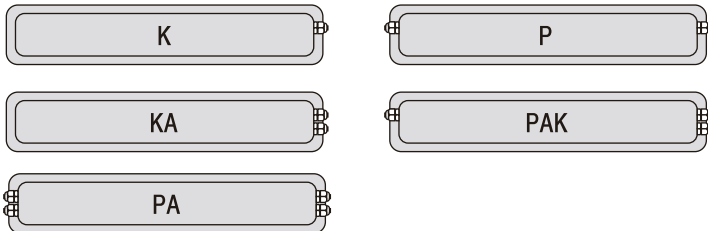


*marking on the label may differ from the order specification

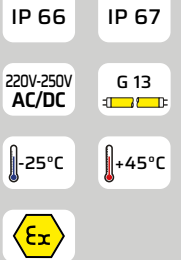
Example of type description

EXP 03 - 2180/PA10/S - explosion proof light fitting for two fluorescent lamps 18W with socket G13; supply voltage 220V-250V AC/DC; through wiring with 4 polyamide M20 glands; stainless steel housing 304.

A. Cable entry



TECHNICAL DATA



OPTIONS

