

**EXP 03
MLED**



Type	Wattage	Light source	Lumens	Weight
EXP 03-MLED220/209/840	19W	LED	2350 lm	3,3 kg
EXP 03-MLED220/211/840	25W		3270 lm	3,3 kg
EXP 03-MLED240/409/840	39W		5050 lm	5,7 kg
EXP 03-MLED240/411/840	50W		6520 lm	5,7 kg
EXP 03-MLED240/417/840	70W		8440 lm	5,7 kg

Explosionproof luminaire, surface 2x9W / 2x11W / 4x9W / 4x11W / 4x17W

Application
hazardous zone 2,22

Light source life time
> 50 000 h

Ex marking
II 3G Ex nA IIC T4 Gc
II 3D Ex tc IIIC T65°C IP 66/67 Dc

Electric
flexible wiring, heat resistant up to +105°C

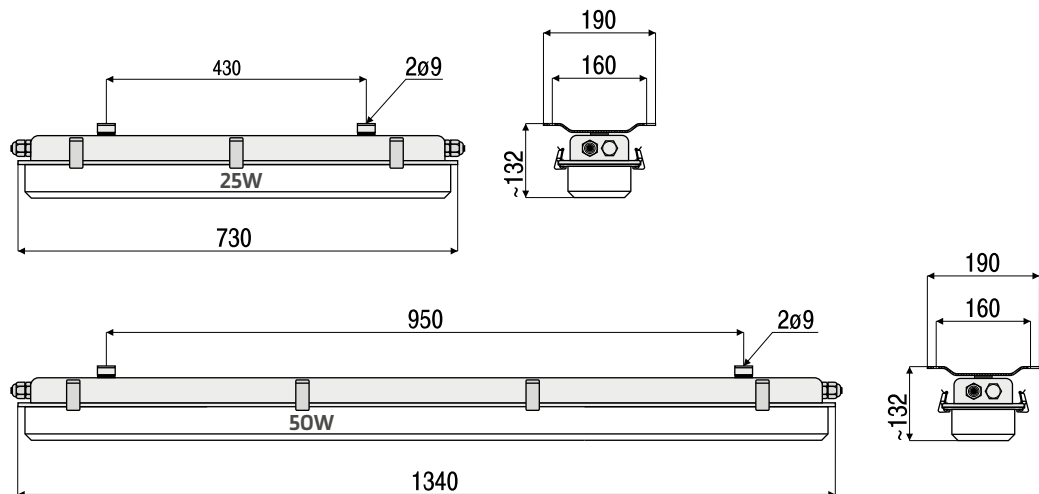
Housing
zinc coated steel or stainless steel,
powder coated white

Cable entry
max 4 cable glands, see drawing A

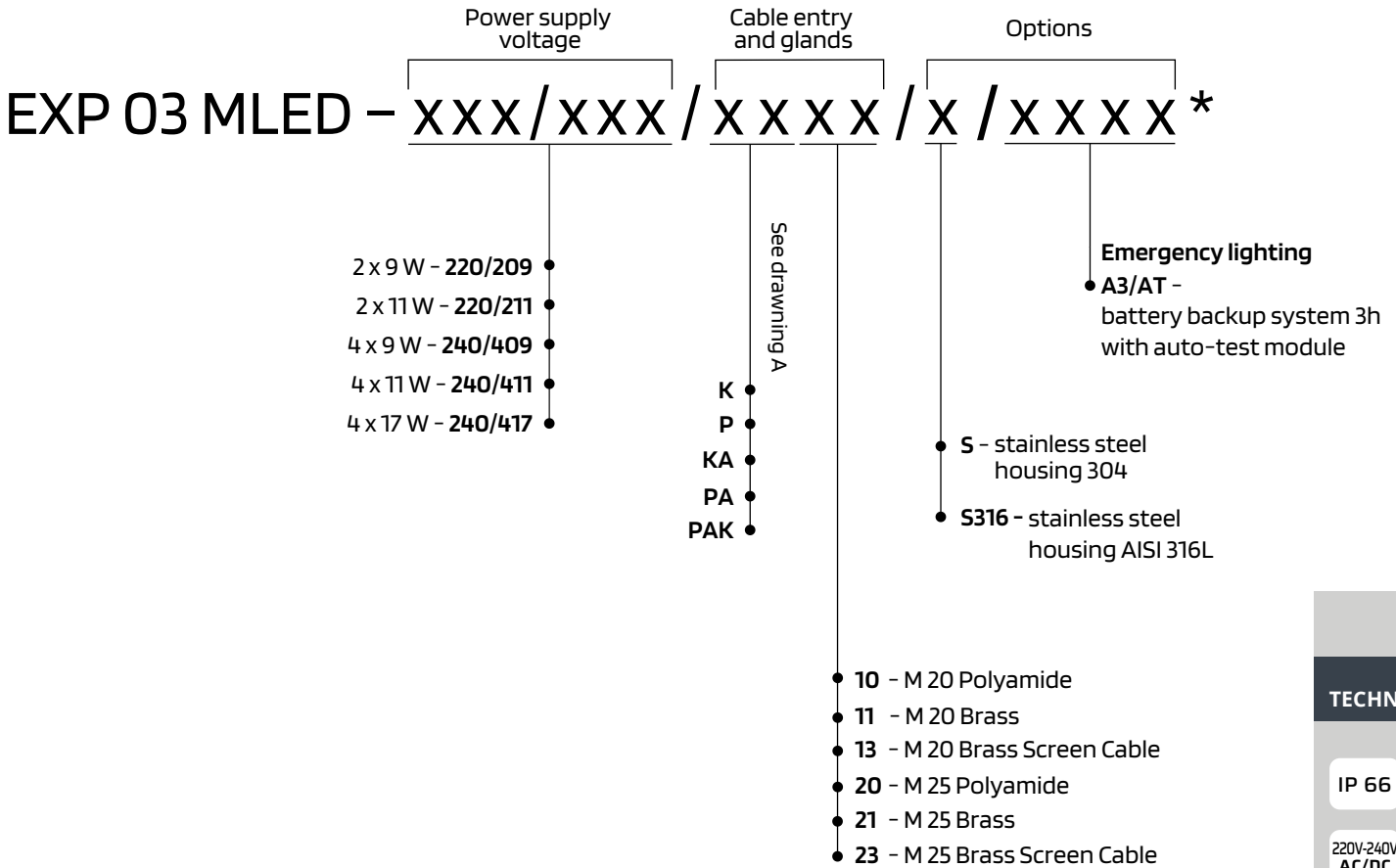
Diffuser
clear polycarbonate

Mounting
2 brackets with 2 mounting holes \varnothing 9 mm

DIMENSIONS [mm]



ORDER SPECIFICATION

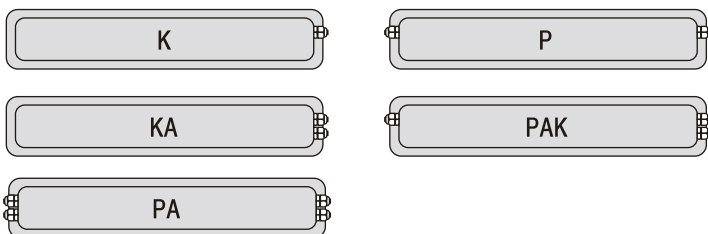


*Remarks: Other types of brackets on request.

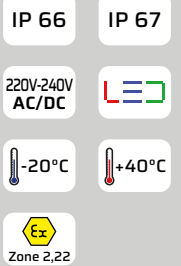
Example of type description

EXP 03 MLED220/209/840/P11/S - light fitting with LED source, 2x9W, supply voltage 220-240V AC/DC, through wiring (2 brass cable glands M20), stainless steel 304 housing

A. Cable entry



TECHNICAL DATA



OPTIONS

