



Type	Light source power / lamp base	Light source	Weight
ELP 33 - T18	1 x 18 W / G 13	fluorescent lamps	3,0 kg
ELP 33 - 218	2 x 18 W / G 13		3,4 kg
ELP 33 - 136	1 x 36 W / G 13		4,2 kg
ELP 33 - 236	2 x 36 W / G 13		4,7 kg

Cornice Luminaire, surface, 1x18W/2x18W; 1x36W/2x36W

Application
passage ways, cabins

Approvals
according to the rules of relevant classification societies, additional IEC

Housing
zinc coated steel, powder coated white

Cover
polycarbonate, opal

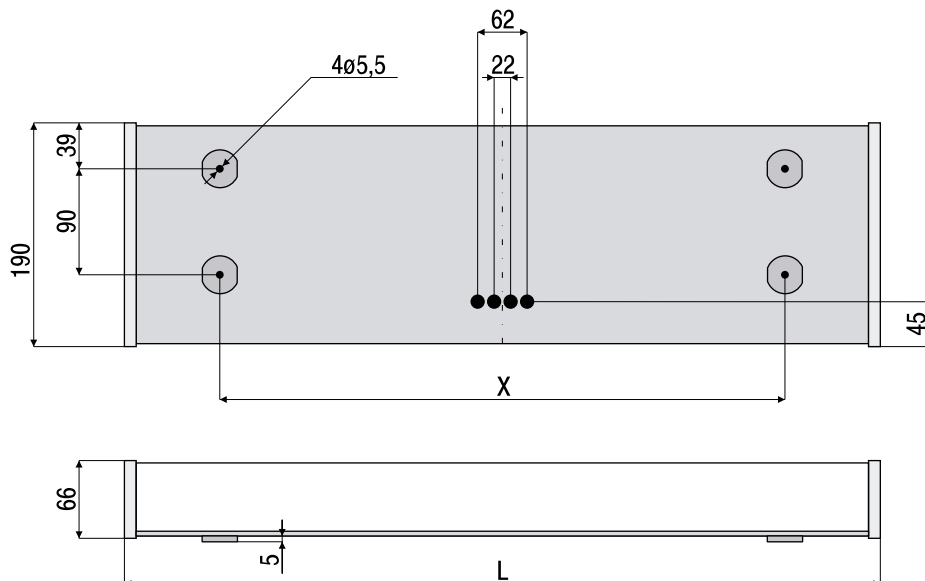
Lamps (not included)
fluorescent lamp 18W/36W

Electric
flexible wiring, heat resistant up to +105°C

Cable entry
4 inlet, cable max Ø 11 mm

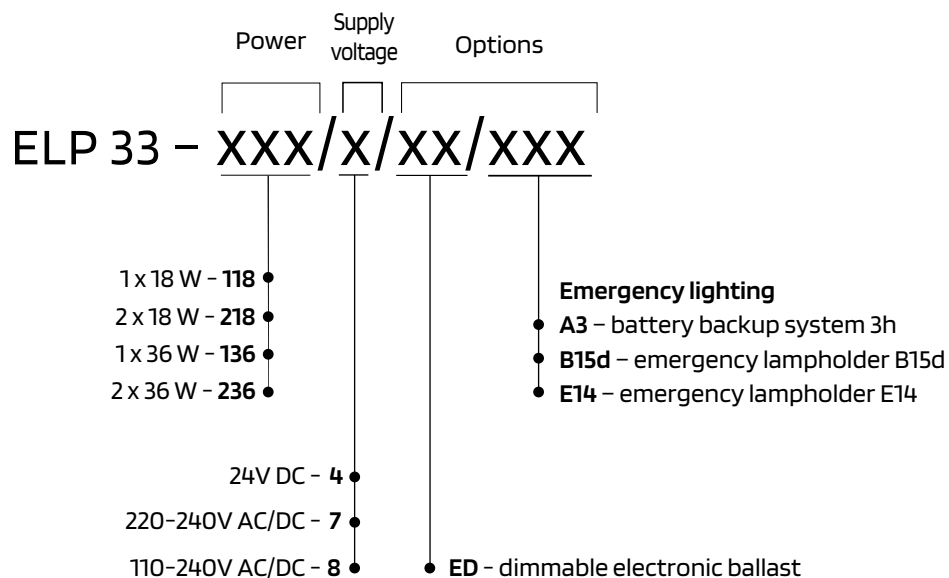
Mounting
4 mounting holes Ø 5,5 mm

DIMENSIONS [mm]



Type	L	X
ELP 33/2x18W	642	480
ELP 33/2x36W	1252	967

ORDER SPECIFICATION



Example of type description

ELP 33 - 2187 light fitting for two fluorescent lamp 18W with socket G13; supply voltage 220-240V AC/DC

TECHNICAL DATA

IP 30

220-240V
AC/DC

G 13



OPTIONS

110-240V
AC/DC

24V
DC

Dimmable
Electronic
Ballast

Battery
Backup 3h
System

Emergency
Lampholder
B15d

Emergency
24V DC