

DLP
38



* decor ring must be ordered separately

Type	Light source power / lamp base	Light source	Weight
DLP 38 - T13...	2 x 13 W / G24q1	tubular compact fluorescent lamp	1,3 kg
DLP 38 - T18...	2 x 18 W / G24q2	tubular compact fluorescent lamp	1,3 kg

Downlight, 1x13W / 1x18W

Application

cabins, lounges, dining rooms,
accommodation areas

Approvals

according to the rules of relevant
classification societies, additional IEC

Housing

galvanized steel, powder coated white

Reflector

aluminium finished in silver

Diffuser and cover ring

see next page

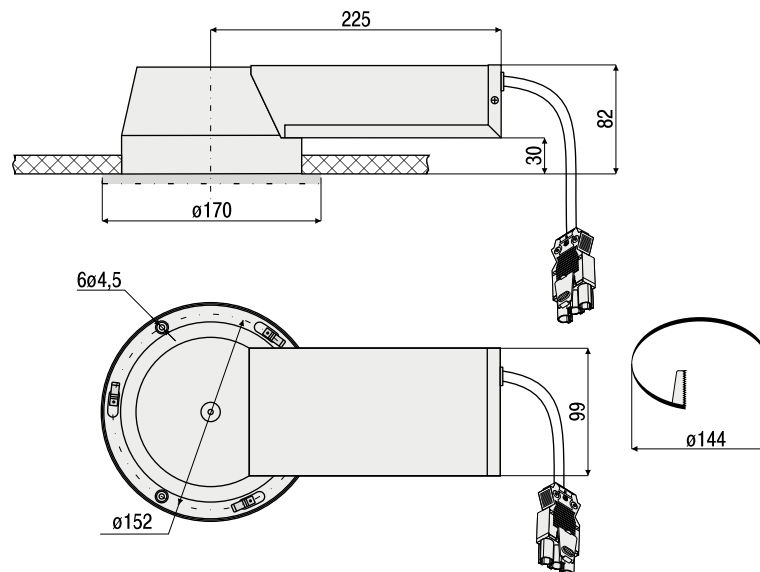
Lamps (not included)

tubular compact fluorescent lamp 13W/18W

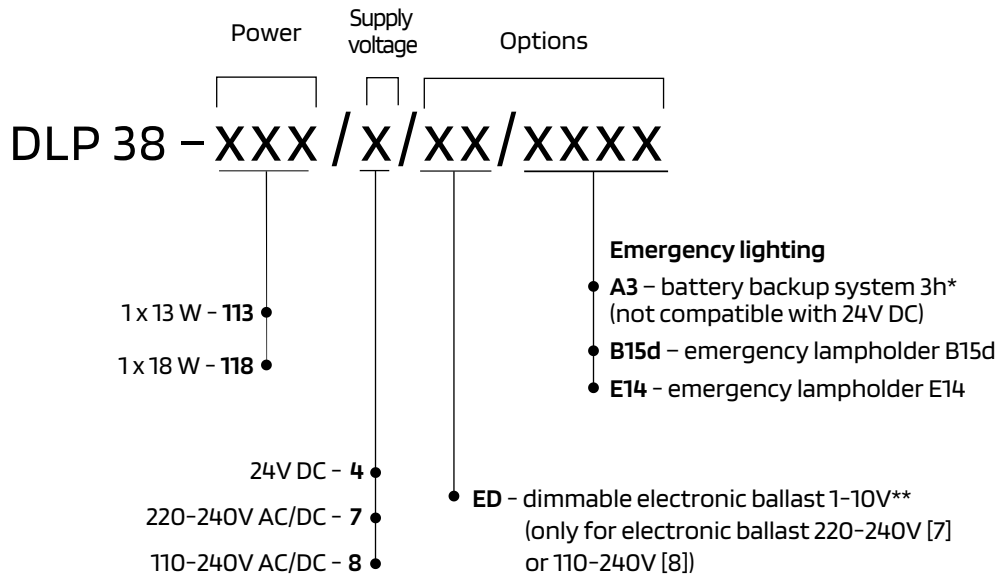
Electric

flexible wiring, heat resistant up to +105°C

DIMENSIONS [mm]



ORDER SPECIFICATION



* emergency unit in external box

** other dimmable systems to be discussed with manufacturer

Example of type description

DLP 38 - 1137 light fitting for tubular compact fluorescent lamp 13W with socket G24q-1;
supply voltage 220-240V AC/DC

Decor components

Decor rings are ordered separately

Decor ring without diffuser IP20



white DR - W
silver DR - S
gold DR - G

Decor ring with diffuser IP 44



white ring, transparent PC	DD - WRTP
silver ring, transparent PC	DD - SRTP
gold ring, transparent PC	DD - GRTP
white ring, opal PC	DD - WRTP
silver ring, opal PC	DD - SRTP
gold ring, opal PC	DD - GRTP

TECHNICAL DATA

IP 20

IP 44

G24q-1

G24q-2

220-240V
AC/DC

OPTIONS

24V
DC

110-240V
AC/DC

Dimmable
Electronic
Ballast

110V-240V
50-60Hz

Dimmable
Electronic
Ballast

220V-240V
50-60Hz

Emergency
Lampholder
B15d

Emergency
Lampholder
E14

Battery
Backup
System
3h