

**DEP  
95**



Type	Light source power / lamp base	Light source	Weight
DEP 95 - 218	2 x 18 W / G 13	fluorescent lamp	4,9 kg
DEP 95 - 236	2 x 36 W / G 13	fluorescent lamp	8,1 kg

### Ceiling Luminaire, recessed, 2x18W/2x36W

#### Application

for installation in Dampa ceilings M300 passage ways, cabins, lounges, dining rooms, accomodation areas

#### Approvals

according to the rules of relevant classification societies, additional IEC

#### Housing

zinc coated steel, powder painted white

#### Diffuser

opal or prismatic diffuser

#### Lamps (not included)

fluorescent lamp 18W / 36W

#### Electric

flexible wiring,  
heat resistant up to +105°C

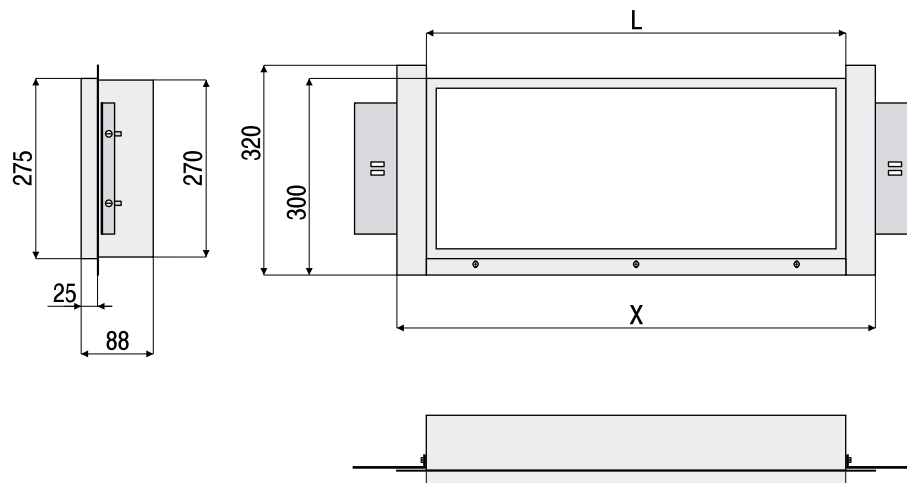
#### Cable entry

2 or 4 cable inlets cable Ø max 11 mm

#### Mounting

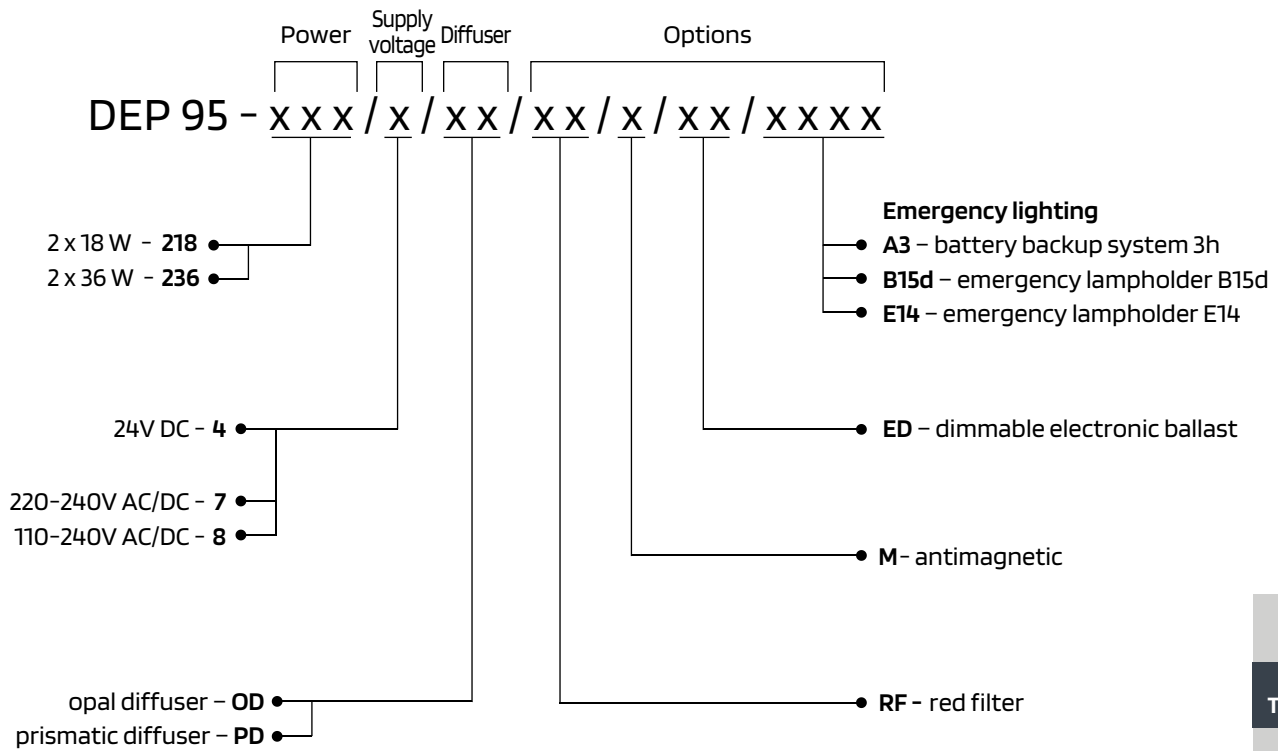
2 mounting brackets

#### DIMENSIONS [ mm ]



Type	L	X
DEP 95/2x18W	640	730
DEP 95/2x36W	1250	1340

## ORDER SPECIFICATION



### Example of type description

**DEP 95-2187/OD** – light fitting for two fluorescent lamp 18W with socket G13; supply voltage 220-240V AC/DC; opal diffuser

### TECHNICAL DATA

IP 44

220-240V  
AC/DC

G 13

### OPTIONS

24V  
DC

Emergency  
Lampholder  
B15d

Battery Backup System 220V-240V 50-60Hz **3h**

Dimmable Electronic Ballast 220V-240V **50-60Hz**

Anti-magnetic

Red Filter

Optional diffusers:



PD - prismatic

OD - opal