



Type	Light source power / lamp base	Light source	Weight
DEP 28 - 218	2 x 18 W / G 13	fluorescent lamp	4,9 kg
DEP 28 - 236	2 x 36 W / G 13	fluorescent lamp	6,9 kg

## Ceiling Luminaire, recessed, 2x18W/2x36W

### Application

passage ways, cabins, lounges, dining rooms, accommodation areas

### Approvals

according to the rules of relevant classification societies, additional IEC

### Protection class

IP 44 in conjunction with ceiling

### Diffuser

prismatic or opal diffuser

### Lamps (not included)

fluorescent lamp 18W / 36W

### Electric

flexible wiring,  
heat resistant up to +105°C

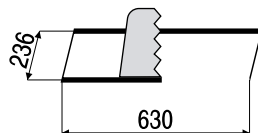
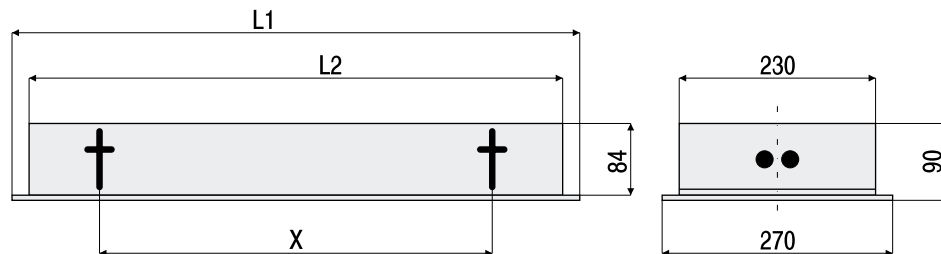
### Cable entry

2 cable entries  $\varnothing$  20 mm

### Mounting

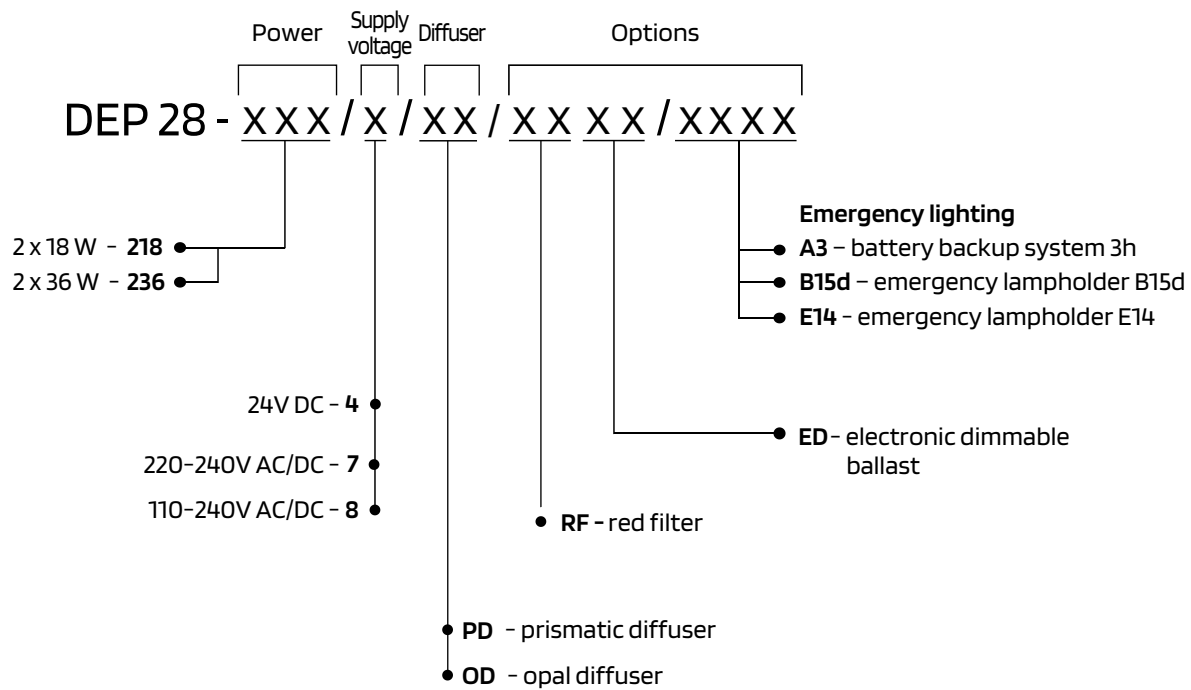
4 mounting brackets, cut out  
18W: 630 x 236 mm  
36W: 1240 x 236 mm

### DIMENSIONS [ mm ]



Type	L1	L2	X
DEP 28/2x18W	663	625	460
DEP 28/2x36W	1275	1235	1070

## ORDER SPECIFICATION



### Example of type description

**DEP 28 - 2187/OD** light fitting for two fluorescent lamp 18W with socket G13; supply voltage 220-240V AC/DC

### TECHNICAL DATA

IP 44

220-240V  
AC/DC

G 13

### OPTIONS

24V  
DC

Red  
Filter

Battery Backup System 220V-240V 50-60Hz **3h**

Dimmable Electronic Ballast 220V-240V **50-60Hz**

Emergency Lampholder B15d Emergency Lampholder E14