

DEP 19 MLED



Type	Wattage	Light Source	Lumens	Weight
DEP 19-MLED220/211/...	2 x 11W	LED	2 x 1250 lm	3,9 kg
DEP 19-MLED240/411/...	4 x 11W	LED	4 x 1250 lm	4,2 kg

Ceiling recessed luminaire, 2x11W / 4x11W LED

Application

accommodation areas, passage ways, cabins, etc.

Cable entry

2 inlet, cable max Ø 20 mm

Approvals

according to the rules of relevant classification societies, additional IEC

Mounting

4 mounting holes Ø 7mm
or special bracket ordered separately

Housing

zinc coated steel, powder painted white

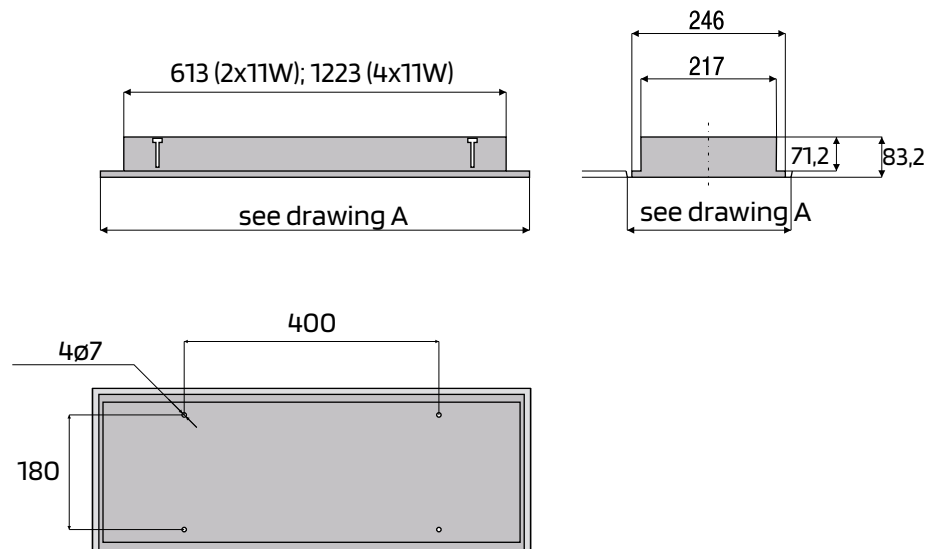
Type of ceiling

I strip ceiling - produced by FAMOS
II panel ceiling - produced by FAMOS, LUBMOR
III tile ceiling - produced by FAMOS, LUBMOR

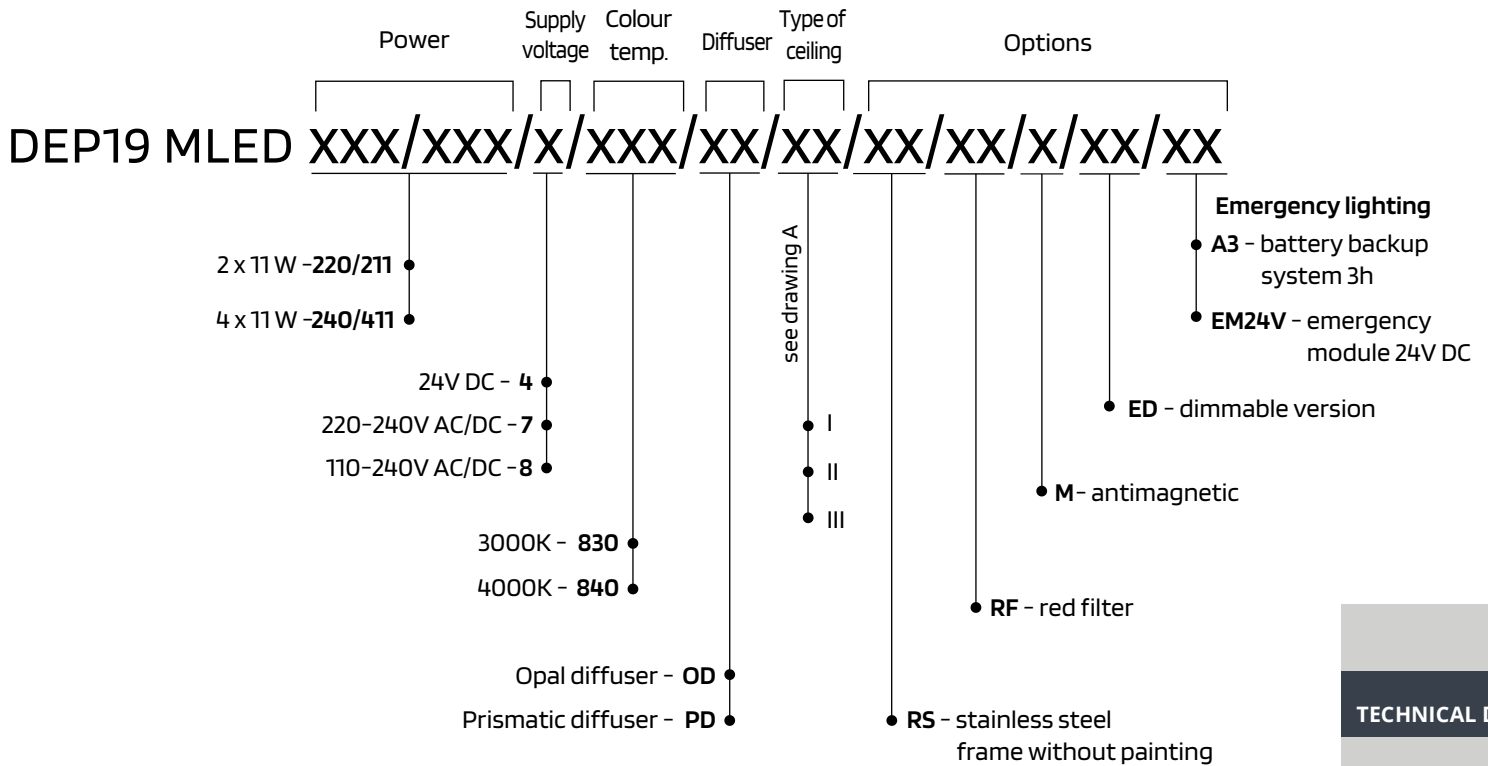
Diffuser

opal or prismatic diffuser

DIMENSIONS [mm]



ORDER SPECIFICATION

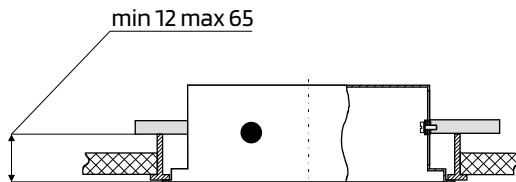


Example of type description

DEP 19 MLED 220/211/7/830/PD/I/A3 - light fitting with LED source 2x11W; supply voltage 220-240V AC/DC; colour temperature 3000K; prismatic diffuser; type of ceiling - I; emergency battery backup system 3h

Additional equipment

31-319-9001 Special bracket type C /ordered separately/



TECHNICAL DATA

IP 44

220-240V
AC/DC



OPTIONS

Battery Backup 3h System

110-240V
AC/DC

24V
DC

Stainless Steel

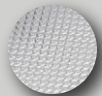
Dimmable

Anti-magnetic

Emergency 24V DC

Red Filter

Optional diffusers:



PD - prismatic



OD - opal

DEP 19 MLED

Drawing A

