



Type	Light source power / lamp base	Light source	Weight
DAP 23 - 218	2 x 18 W / G 13	fluorescent lamps	3,5 kg
DAP 23 - 236	2 x 36 W / G 13		5,7 kg

## Ceiling Luminaire, surface, 2x18W; 2x36W

**Application**  
passage ways, cabins

**Approvals**  
according to the rules of relevant classification societies, additional IEC

**Housing**  
zinc coated steel, powder coated white

**Cover**  
polycarbonate, opal

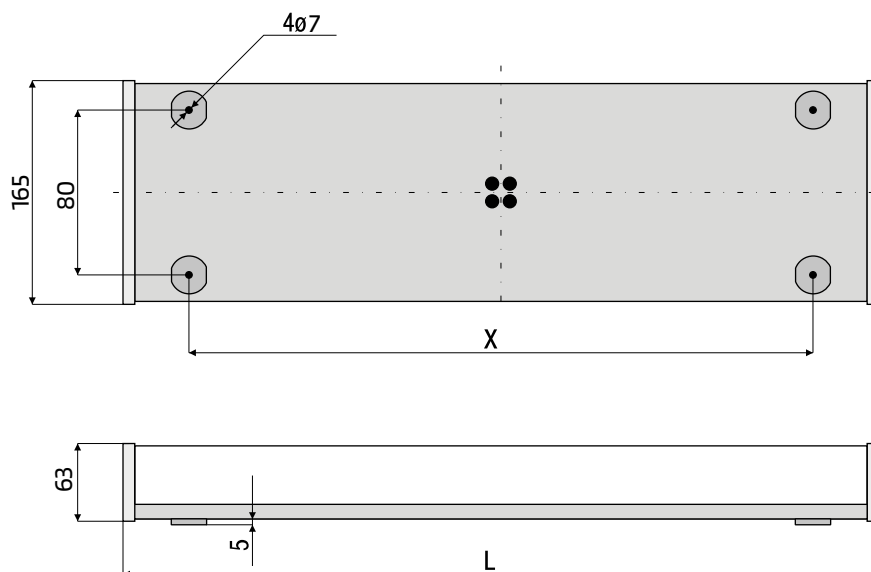
**Lamps (not included)**  
fluorescent lamp 18W/36W

**Electric**  
flexible wiring, heat resistant up to +105°C

**Cable entry**  
4 inlet, cable max Ø 11 mm

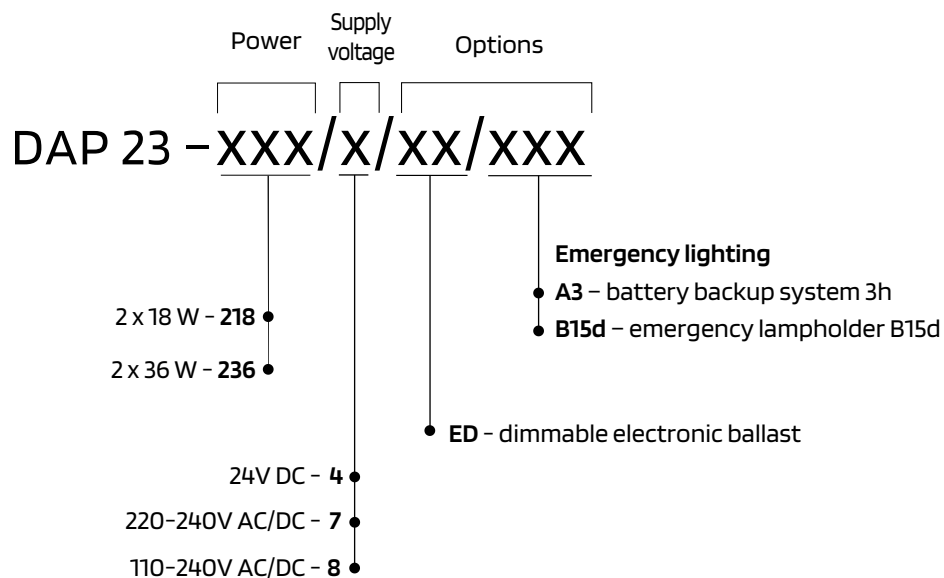
**Mounting**  
4 mounting holes Ø 5,5 mm

### DIMENSIONS [ mm ]



Type	L	X
DAP 23/2x18W	629	450
DAP 23/2x36W	1252	1059

## ORDER SPECIFICATION



### Example of type description

**DAP 23 - 2187** light fitting for two fluorescent lamp 18W with socket G13; supply voltage 220-240V AC/DC

### TECHNICAL DATA

IP 30

220-240V  
AC/DC

G 13



### OPTIONS

110-240V  
AC/DC

Dimmable

24V  
DC

Emergency  
Lampholder  
B15d

Battery  
Backup 3h  
System