

113
Ex



Type	Light source	Lamp base	Wattage	Voltage	Weight
113- ... EX	A 80	E27	max 200 W	230V AC 50Hz	5,8 kg
	HME-SB		max 160 W	230V AC 50Hz	5,8 kg
	A		max 100 W	110V AC/DC 42V AC/DC	5,8 kg
	A		max 60 W	230V DC	5,8 kg
	A		max 60 W	24V AC/DC	5,8 kg
	TC-TSE		max 23 W	230V AC	5,8 kg

Explosionproof luminaire, surface

Application

outdoor/indoor, hazardous zone: 1,21; 2,22

Approvals authority:

KDB - 04 ATEX 279X

Ex series

II 3G Ex nA IIC T5 Gc

II 3D Ex t IIIC T60°-65°C IP 66/67 Dc

Housing

aluminium powder painted

Diffuser

borosilicate glass

Lamps (not included)

see specification

Electric

flexible wiring, heat resistant up to +105°C

Cable entry

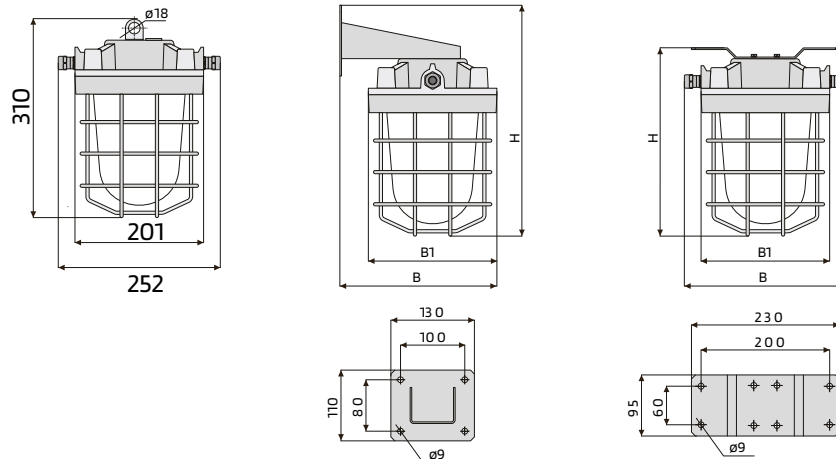
M20 cable gland \varnothing 8-13 mm

Mounting

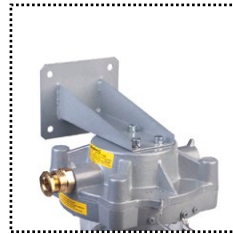
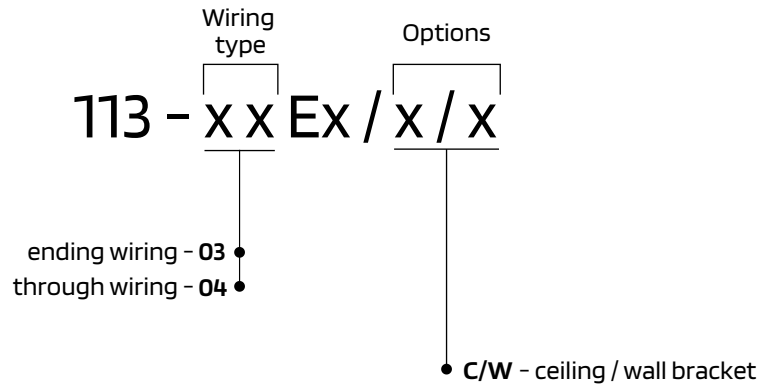
suspended luminaire or wall / ceiling bracket

DIMENSIONS [mm]

113- ... E x/C/W



ORDER SPECIFICATION



Example of type description

113-04 Ex/C/W - explosionproof light fitting with socket E27; supply voltage according to the source; through wiring; 2 glands M20; ceiling / wall bracket.

Additional equipment (ordered separately)

Wire quard
 Ordering index: 31-173-2004



Flat reflector
 Ordering index: 31-173-2000



Cone reflector
 Ordering index: 31-173-2001



TECHNICAL DATA

IP 66	230V 50Hz
E27	Ex
-20°C	+45°C

OPTIONS

Steel Wire Guard	
Flat Reflector	Cone Reflector
Wall/Ceiling Bracket	SC-Glands for screen cable