

- IP 56
- 230V
- 115V
- 24V
- P28s



| Type      | Light source      | Type of vessel |
|-----------|-------------------|----------------|
| NLP 760/A | incandescent lamp | length > 50 m  |

**Application**  
Navigation lanterns for vessels > 50 m.

**Approvals**  
BSH (Bundesamt für Seeschifffahrt und Hydrographie)  
GL (Germanischer Lloyd)  
MED (Maritime equipment directive)

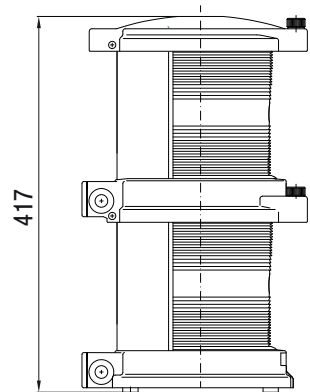
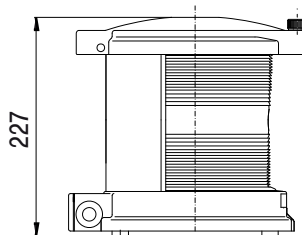
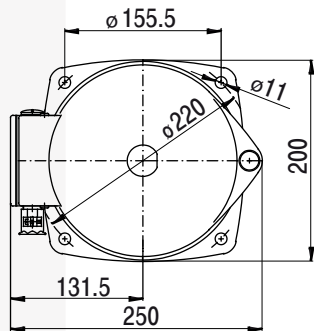
**Regulations**  
COLREG 72, Annex I/14  
IMO Resolution A.694(17)  
IMO Resolution MSC.253(83)  
EN 14744, 2005  
IEC 60945 Ed.4.0, 2002

**Construction**  
Black polyamid, glass fibre reinforced, shock resistant, non corrosive, non magnetic, seawater resistant, with stainless steel screens (1.4571),  
**Lens**  
PMMA  
**Lamps (included)**  
Incandescent bulb P28s, one-hand exchange;

**Cable entry**  
Terminal box on each lantern  
**Mounting**  
See technical draft below

**OPTIONS**

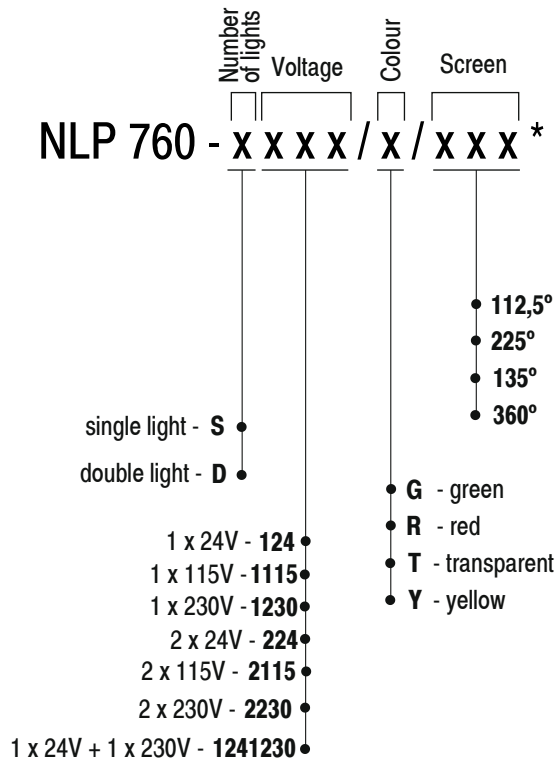
**LED**



[mm]



### Order Specification



\*marking on the label may differ from the order specification

2.31

#### A. Typical lanterns

| Colour     |           |        |          |        |        |      |            |            |            |            |             |
|------------|-----------|--------|----------|--------|--------|------|------------|------------|------------|------------|-------------|
| Degree     | 112,5°    | 112,5° | 225°     | 135°   | 135°   | 135° | 360°       | 360°       | 360°       | 360°       | 360°        |
| Visibility | 3 nm      | 3 nm   | 6 nm     | 3 nm   | 3 nm   | 3 nm | 3 nm       | 3 nm       | 3 nm       | 3 nm       | 5 nm        |
| Mounting   | Starboard | Port   | Masthead | Stearn | Towing | Suez | Signalling | Signalling | Signalling | Signalling | Manoevering |

#### Example of type description

NLP 760/A/S124/G/112,5 - navigation lantern for incandescent lamp P28s; single, voltage - 1x24V; green globe with 112,5° stainless steel screen.