

TLP 54

Multipurpose luminaire, surface
1x18W/2x18W; 1x36W/2x36W



IP 55

220-240V
AC/DC

G13

+40°C



Type	Light source	Light source power / lamp base	Weight
TLP 54 Z-1187	fluorescent lamp	1x18W / G13	3,5 kg
TLP 54 Z-2187		2x18W / G13	4,0 kg
TLP 54 Z-1367		1x36W / G13	5,6 kg
TLP 54 Z-2367		2x36W / G13	6,2 kg

Application

Multipurpose luminaire for engine rooms, holds, storage yards, working spaces, industrial areas, etc.

Approvals

according to the rules of relevant classification societies, additional IEC

Housing

zinc coated steel, seamless deep drawn, powder coated white

Diffuser

polycarbonate, clear

Lamps (not included)

fluorescent lamp 18W or 36W

Electric

flexible wiring, heat resistant up to +105°C

Cable entry

max 4 cable glands, see drawing A

Mounting

See drawing B

2.01

OPTIONS

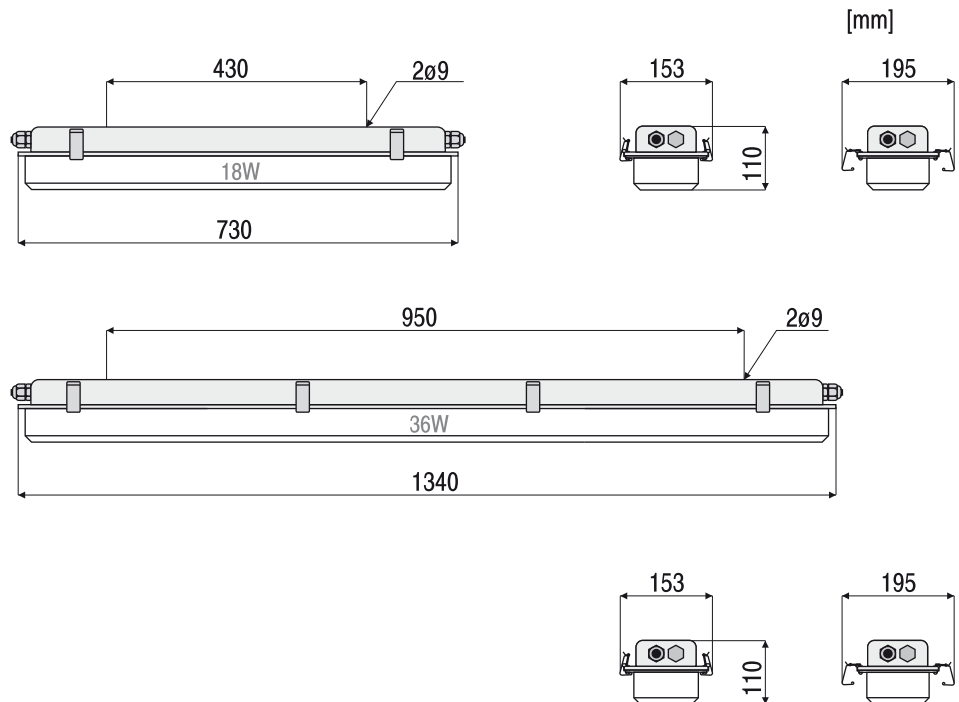
Electronic Ballast	220V-240V AC/DC	110V-240V AC/DC
Battery Backup System	220V-240V 50Hz-60Hz	3H

Electronic Ballast	24V DC
--------------------	--------

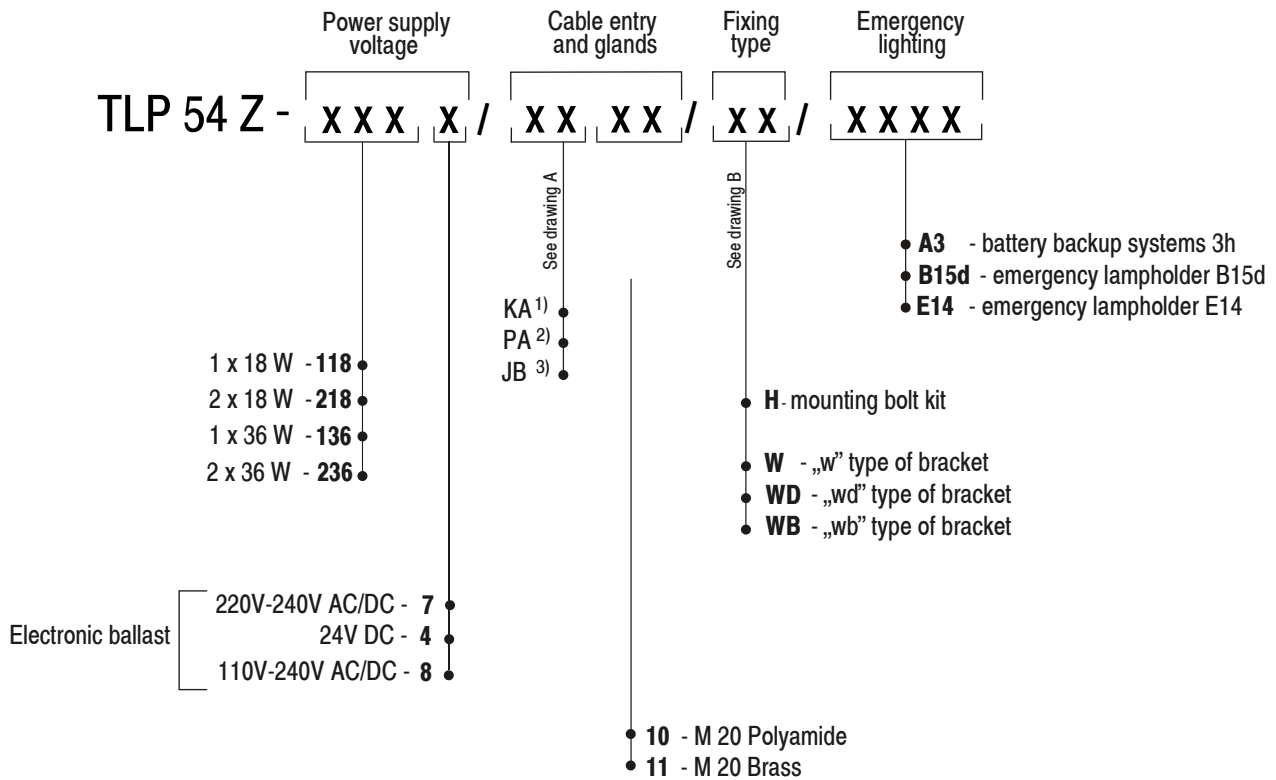
Emergency Lampholder B15d

Emergency Lampholder E14

Outside Junction Box

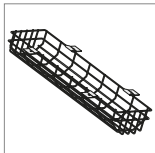


Order Specification



2.02

Additional equipment ordered separately



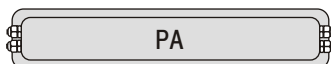
- 31-144-9050 Steel wire guard for luminaire 18W, ceiling mounting
 - 31-144-9048 Steel wire guard for luminaire 36W, ceiling mounting
- Stainless steel wire on special request

1) KA- 2 holes for glands on one side
2) PA- 2 holes for glands on each side
3) not suitable with WD

Example of type description

TLP 54Z - 2187/PA10/W light fitting for two fluorescent lamps 18W with socket G13; supply voltage 220-240V AC/DC ; through wiring; fixing - two „w” brackets.

A. Cable entry

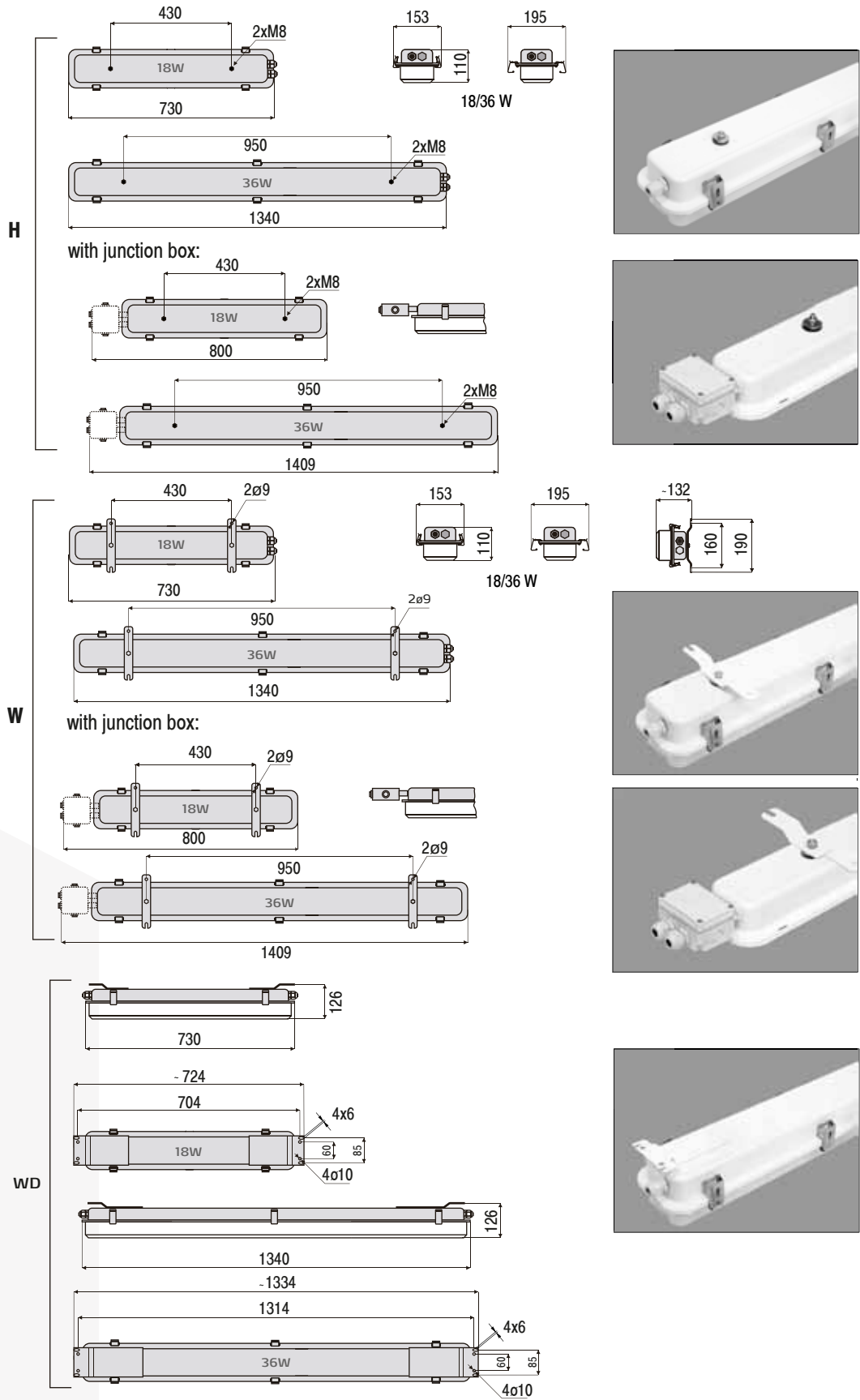


Luminaire is equipped with:

- 1) KA version - 2 glands and 1 blanking plug;
- 2) PA version - 4 glands and 2 blanking plugs;

M 20	
Polyamide	Brass
Cable dia. 6-12 /mm/	Cable dia. 8-14,5 /mm/
10	11

B. Fixing type

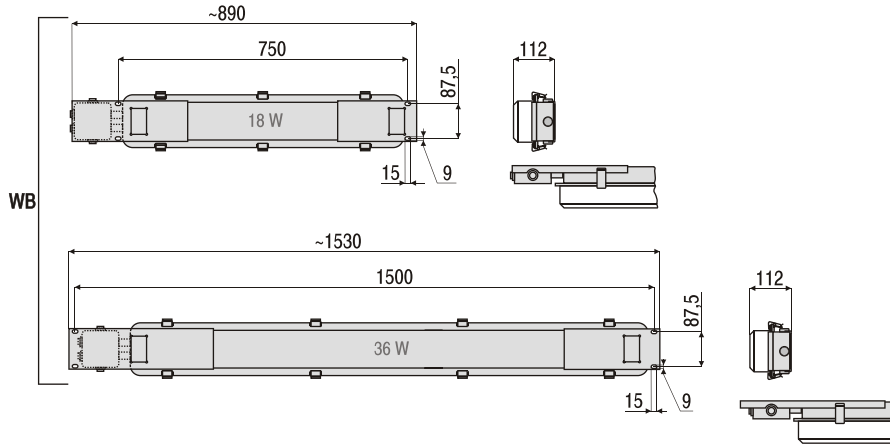


2.03



Multipurpose luminaire, surface
1x18W/2x18W; 1x36W/2x36W

TLP 54



2.04